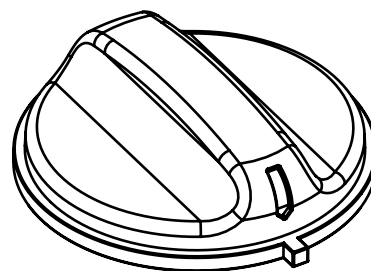
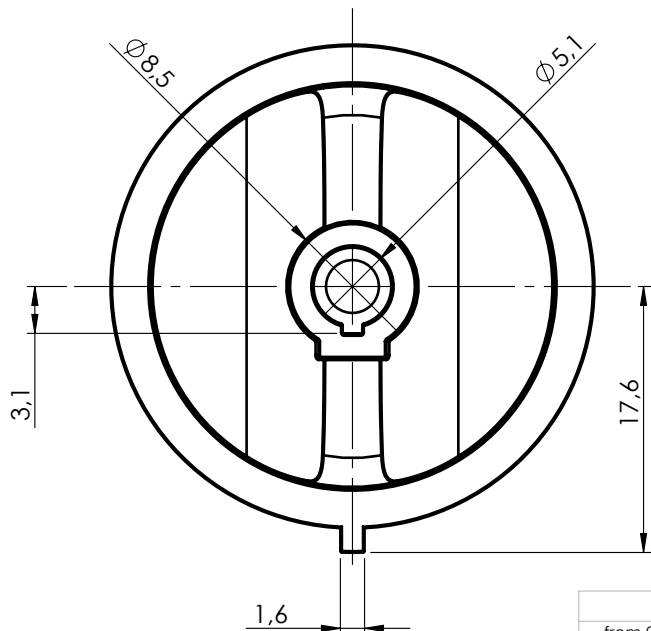
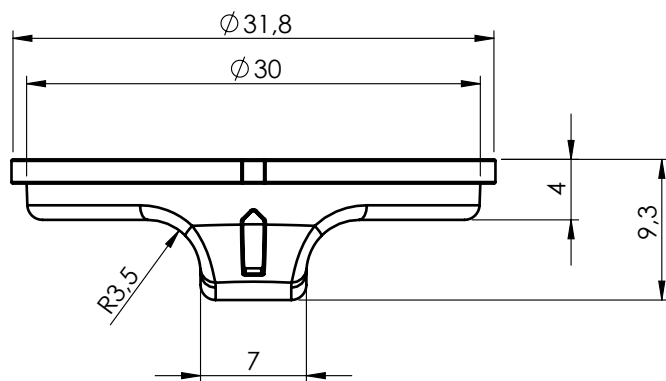
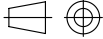



SECTION A-A



General Tolerance UNI EN 22768/1 Media (m)					Sheet:	
from 0.5 to 3 ± 0.1	from 3 to 6 ± 0.1	from 6 to 30 ± 0.2	from 30 to 120 ± 0.3	from 120 to 400 ± 0.5	1	
Scale: 2:1	Drawn: R.N.	Checked: R.N.	Date: 31/03/2023	Material: ABS	Process: INJECTION	
Dimension in mm				Weight: 2.58 gr	Cod. Mold: ST.6123500	
 <small>The present drawing cannot be reproduced or communicated to 3rd parties, even partially, without the authorization of ITALTRONIC Srl. Italtronic reserves the right to protect its own rights according to the law.</small>				Derived from: --		
 italtronic enclosures for electronics italtronic.com				Description: MANOPOLA ITOUCH D30 HIGH PROFILE CON LEVETTA IN RILIEVO ITOUCH D30 HIGH PROFILE KNOB WITH EMBOSSED LEVER Drawing nr.: 2_010_00063		
				Rev.:	00	A4