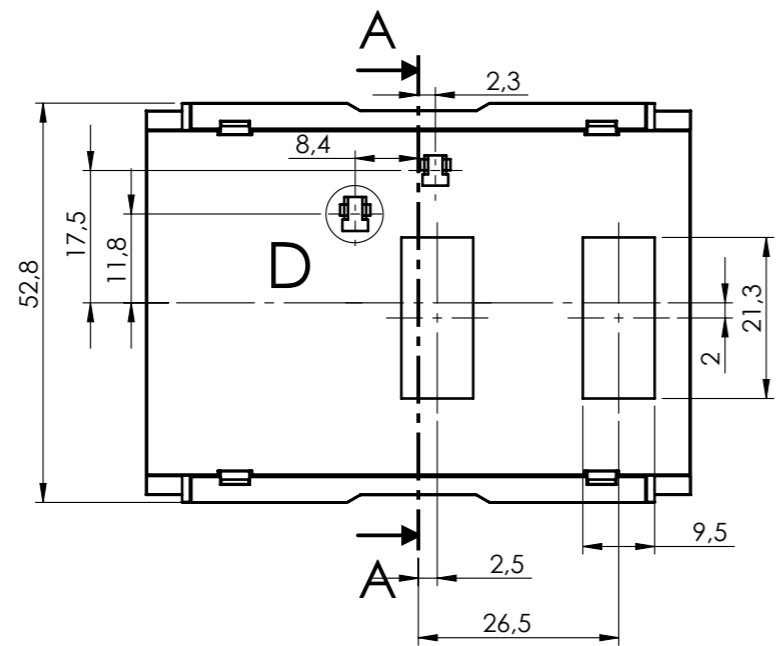
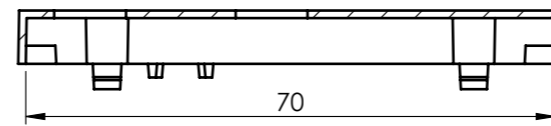
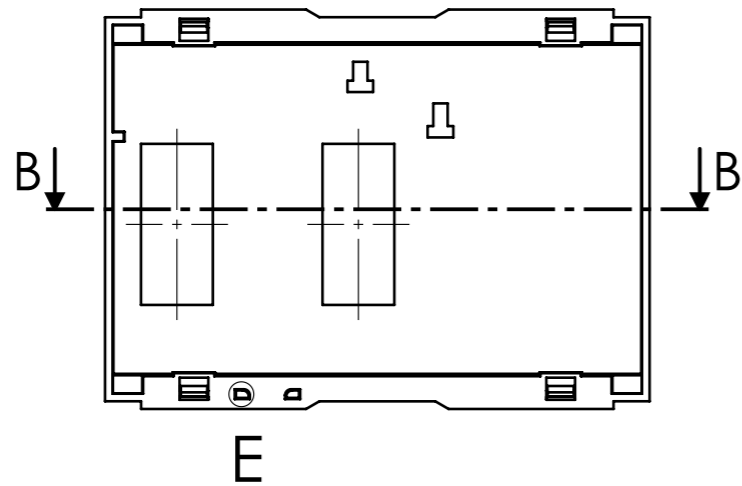
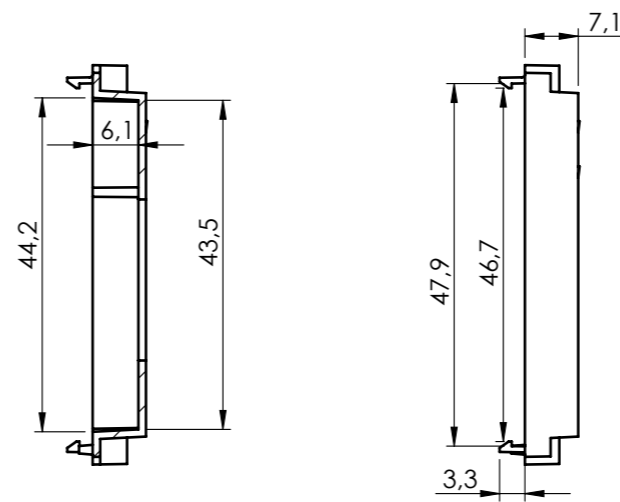


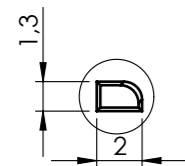
DETAIL D



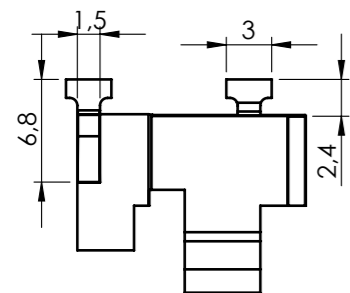
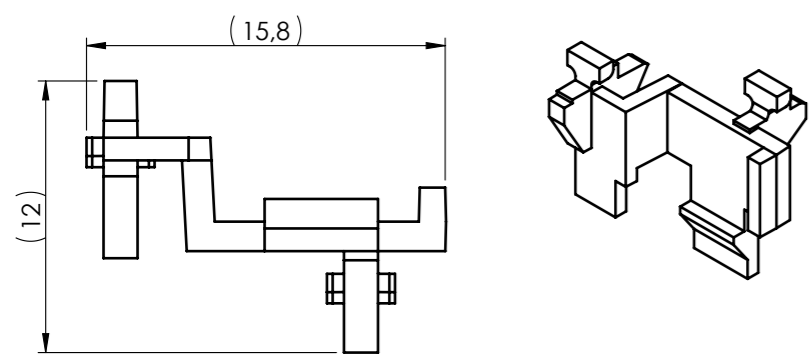
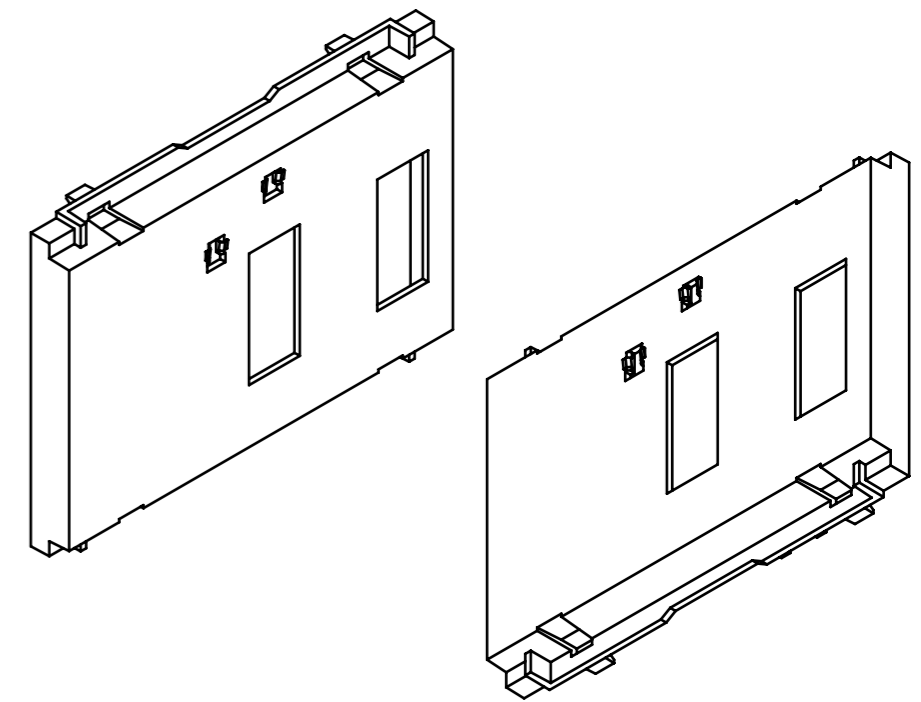
SECTION A-A



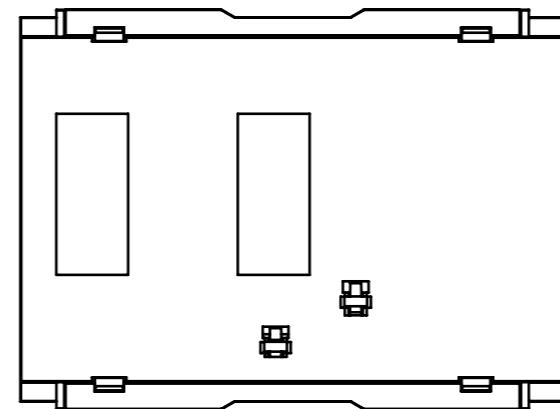
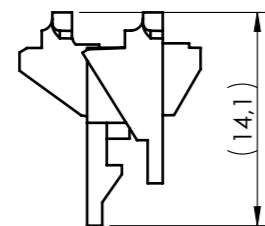
SECTION B-B




DETAIL E



SCALA 2:1



THE CLASP AND THE HOOK ARE PROVIDED TOGETHER

| General Tolerance UNI EN 22768/1 Media (m) | | | | | Sheet: |
|---|----------------------|-----------------------|-------------------------|--------------------------|--|
| from 0.5 to 3 ± 0.1 | from 3 to 6 ± 0.1 | from 6 to 30 ± 0.2 | from 30 to 120 ± 0.3 | from 120 to 400 ± 0.5 | 1 |
| Scale: 1:1 | Drawn: R.N. | Checked: R.N. | Date: 01/03/2023 | Material: ABS | Process: INJECTION |
| Dimension in mm | | | Derived from: -- | Weight: 5.70 gr | Cod. Mold: ST.1400060 |
|  enclosures for electronics italtronic.com | | | | | Description: CHIUSURA POSTERIORE CON AGGANCI 503 H20 REAR CLOSURE WITH HOOKS 503 H20 |
| Drawing nr.: 2_020_00005 | | | | Rev.: | 00 A3 |