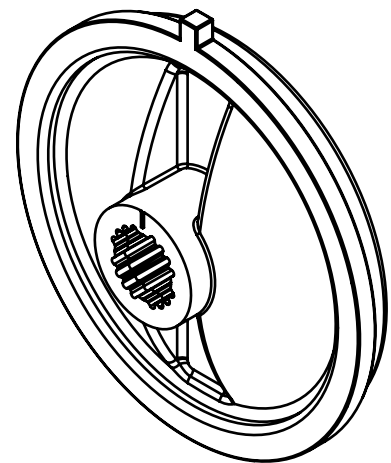
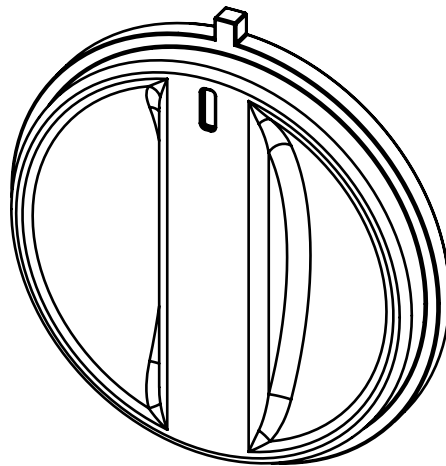
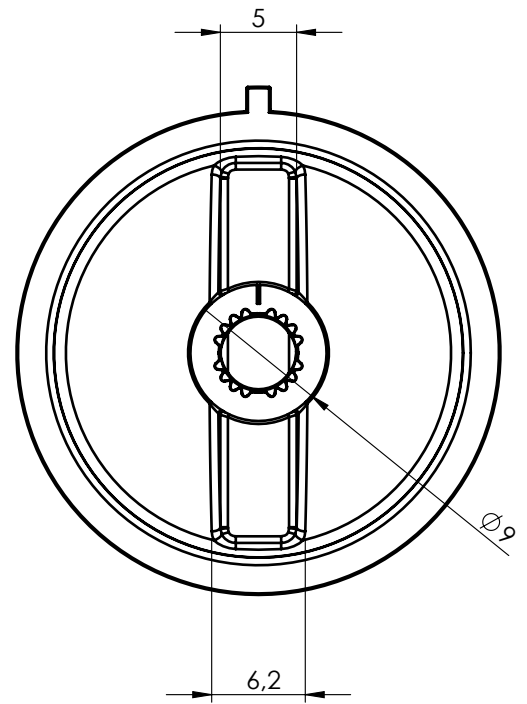
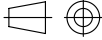



SECTION A-A



General Tolerance UNI EN 22768/1 Media (m)					Sheet:
from 0.5 to 3 ± 0.1	from 3 to 6 ± 0.1	from 6 to 30 ± 0.2	from 30 to 120 ± 0.3	from 120 to 400 ± 0.5	1
Scale: 2:1	Drawed: R.N.	Checked: R.N.	Date: 23/11/2022	Material: ABS	Process:
 Dimension in mm	<small>The present drawing cannot be reproduced or communicated to 3rd parties, even partially, without the authorization of ITALTRONIC Srl. Italtronic reserves to protect its own rights according to the law.</small>	Derived from:		Weight: 2.22 gr	Cod. Mold: --
 <b>italtronic</b> enclosures for electronics italtronic.com		Description: MANOPOLA ITOUCH D30 LOW PROFILE CON LEVETTA INCASSATA ITOUCH D30 LOW PROFILE KNOB WITH RECESSED LEVER			Rev.:
		Drawing nr.: <b>2_010_00040</b>		-	A4