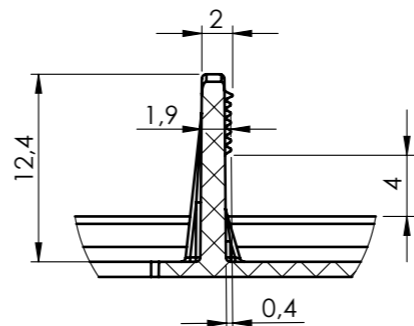
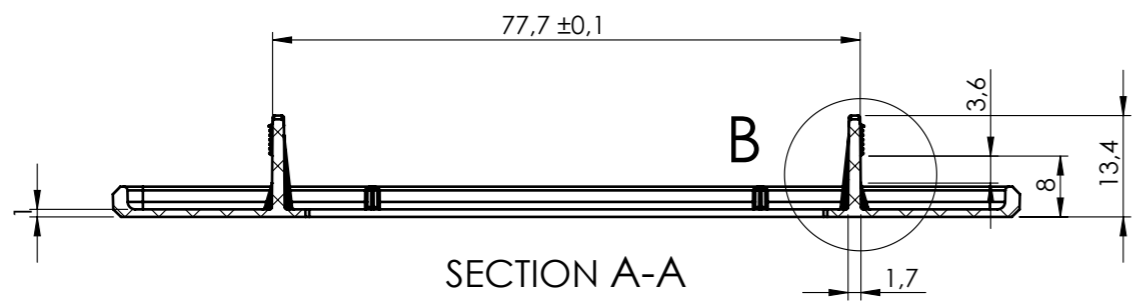
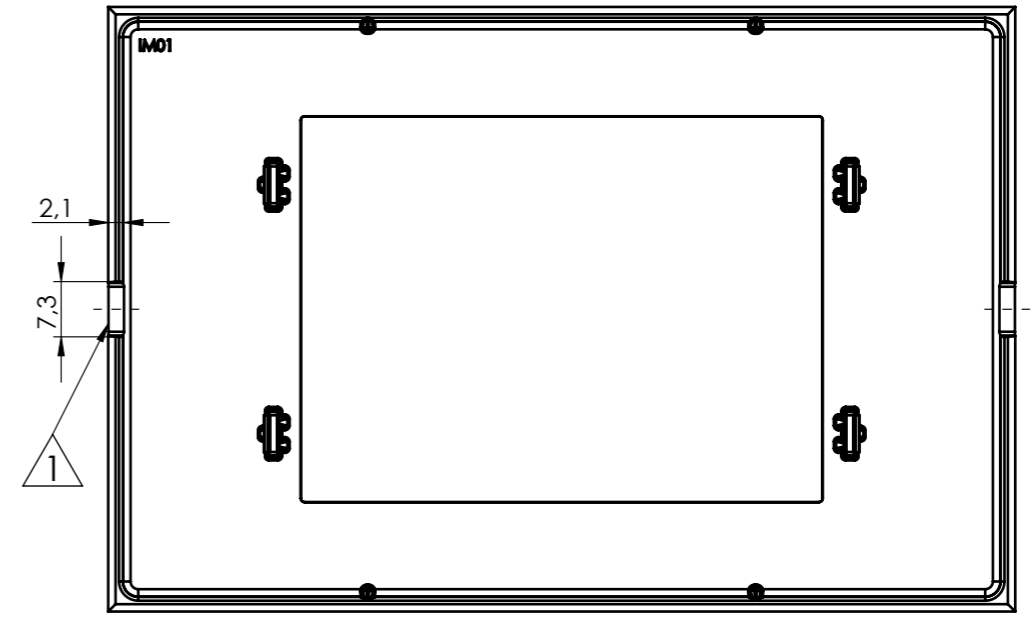
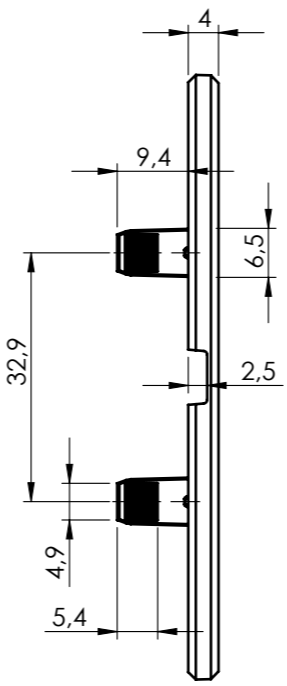
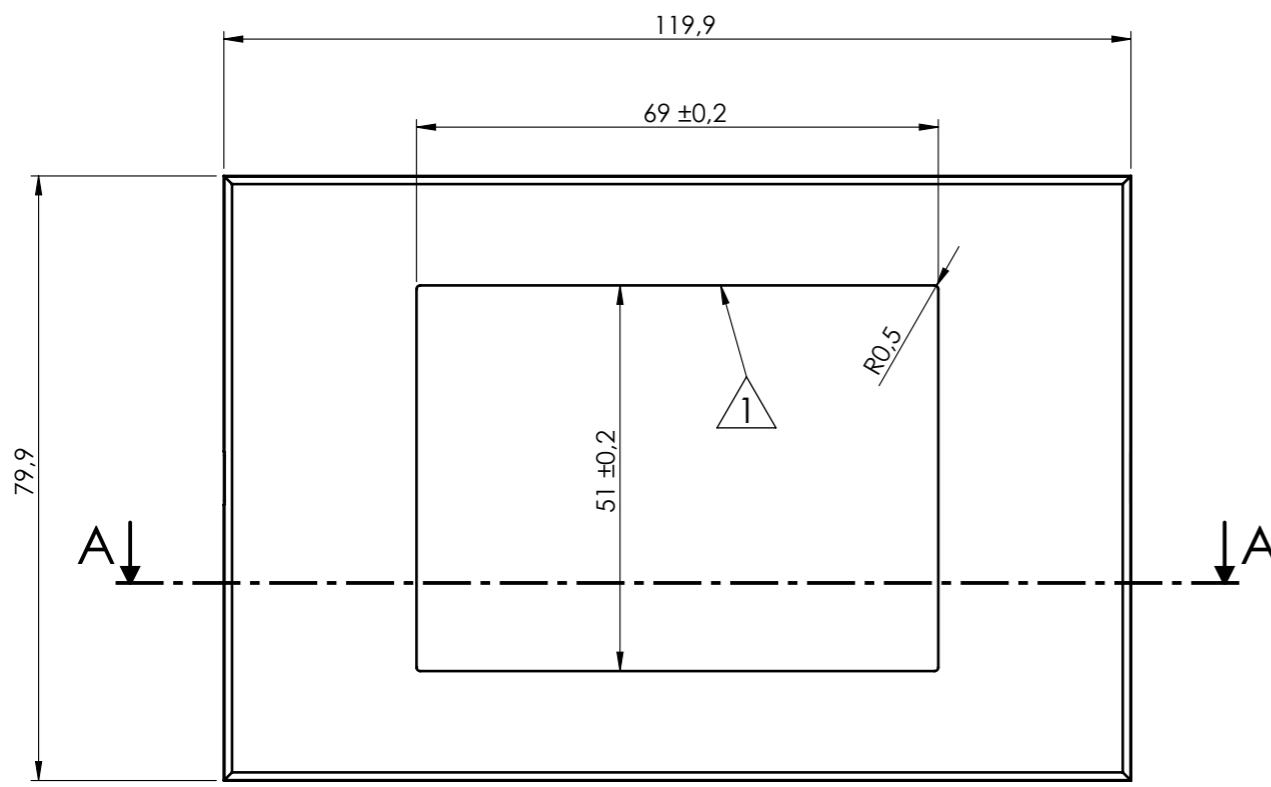
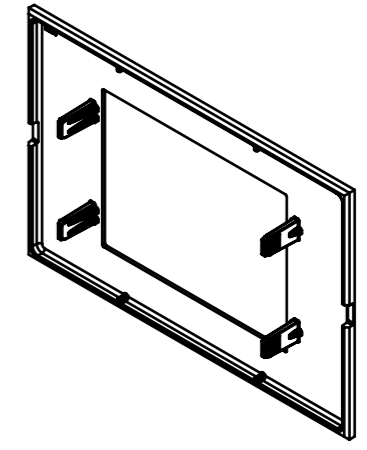



Revisions				
Rev.	Description	Date	Mod. by	
1	INCREASED HOLE HEIGHT + ADDED SIDE EXHAUSTS	07/05/2026	S.D.	



DETAIL B  
SCALE 2 : 1



General Tolerance UNI EN 22768/1 Media (m)					Sheet:
from 0.5 to 3 ± 0.1	from 3 to 6 ± 0.1	from 6 to 30 ± 0.2	from 30 to 120 ± 0.3	from 120 to 400 ± 0.5	1
Scale: IM: 1:1	Drawn: D.S.	Checked: R.N.	Date: 21/10/2025	Material: PC/ABS-FR	Process: INJECTION
Dimension in mm		Replaces the: --	Derived from:	Weight: 10.21 gr	Cod. Mold: --
 enclosures for electronics italtronic.com		Description: SUPPORTO IGLASS COPRIPLACCA AXOLUTE 503 IGLASS SUPPORT FOR AXOLUTE 503 PLATE COVER			Rev.: 01 A3
Drawing nr.: <b>2_020_00020</b>					