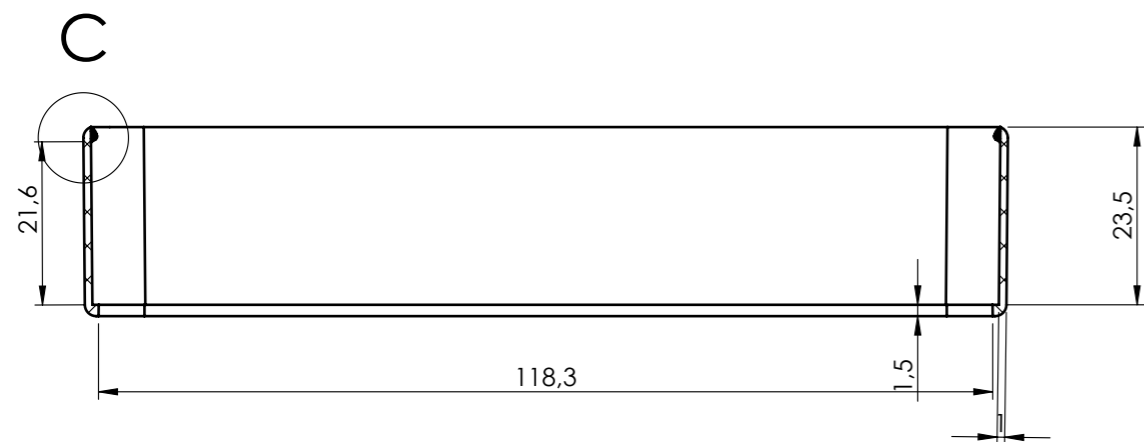
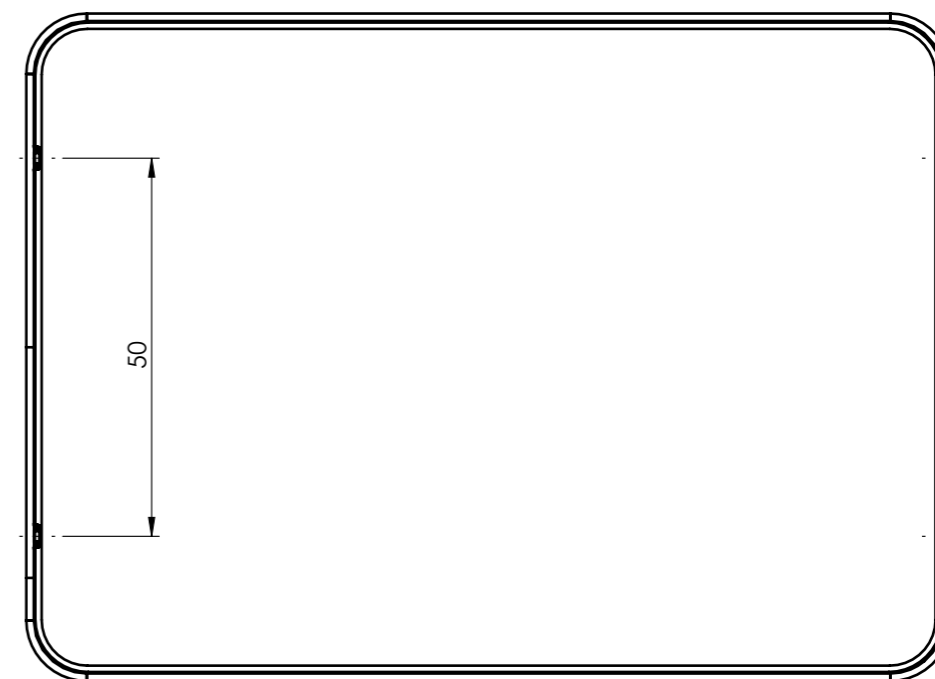
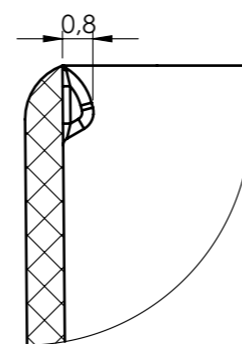


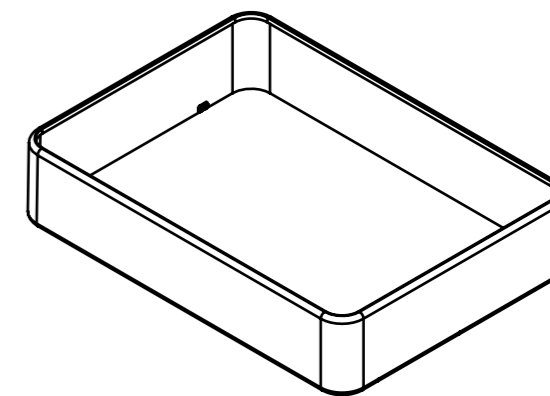
SECTION B-B



SECTION A-A



DETAIL C
SCALE 5 : 1



General information:
 - \oplus Workpiece zero point for mechanical processing
 - Minimum recommended radius for machining = R1.0 mm

General Tolerance UNI EN 22768/1 Media (m)					Sheet:
from 0.5 to 3 ± 0.1	from 3 to 6 ± 0.1	from 6 to 30 ± 0.2	from 30 to 120 ± 0.3	from 120 to 400 ± 0.5	1
Scale: 1:1	Drawn: R.N.	Checked: R.N.	Date: 11/03/2023	Material: ABS	Process: INJECTION
Dimension in mm	Derived from: --			Weight: 10.43 gr	Cod. Mold: ST.1400220
italtronic enclosures for electronics italtronic.com		Description: ANELLO ITOUCH ISHAPE H25 RING ITOUCH ISHAPE H25		Drawing nr.:	Rev.:
		2_010_00056		00	A3