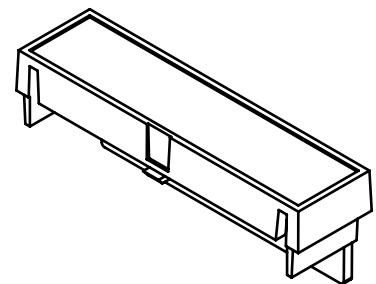
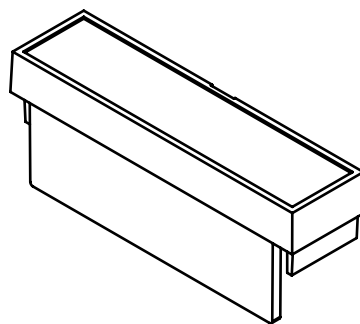

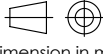



SECTION A-A



General information:

-  Workpiece zero point for mechanical processing
- Minimum recommended radius for machining = R1.0 mm

General Tolerance UNI EN 22768/1 Media (m)					Sheet:		
from 0.5 to 3 ± 0.1	from 3 to 6 ± 0.1	from 6 to 30 ± 0.2	from 30 to 120 ± 0.3	from 120 to 400 ± 0.5	1		
Scale: 1:1	Drawn:	Checked: R.N.	Date: 09/06/2023	Material: PC/ABS	Process: INJECTION		
 Dimension in mm		Derived from: --	Weight: 3.51 gr		Cod. Mold: ST.05CV000		
 enclosures for electronics italtronic.com		Description: COPRIMORSETTO SENZA FORATURA 3MPN TERMINAL COVER MODULBOX WITHOUT HOLES 3MPN				Rev.: 00 A4	
		Drawing nr.: 2_250_03723					