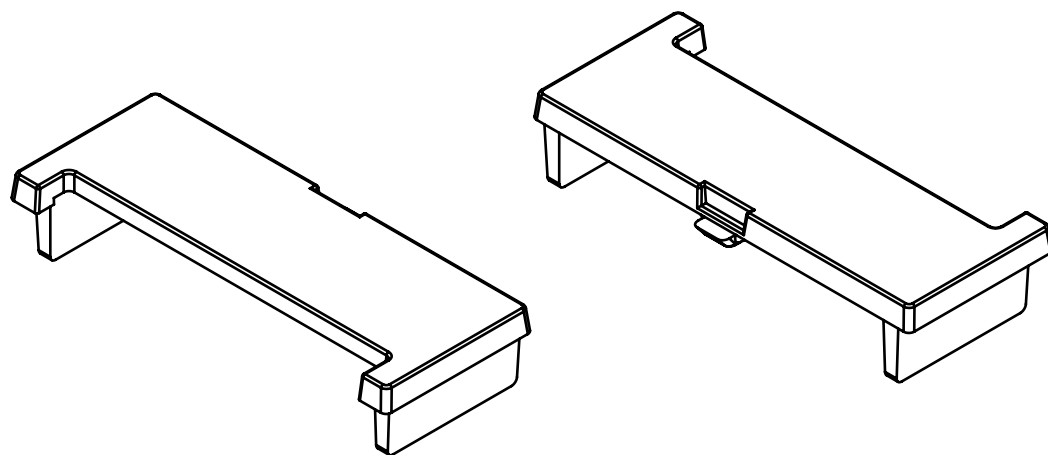
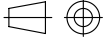




SECTION A-A



General Tolerance UNI EN 22768/1 Media (m)					Sheet:	
from 0,5 to 3 ± 0,1	from 3 to 6 ± 0,1	from 6 to 30 ± 0,2	from 30 to 120 ± 0,3	from 120 to 400 ± 0,5	1	
Scale: 1:1	Drawn: M.S.	Checked: R.N.	Date: 13/06/2023	Material: PC/ABS	Process: INJECTION	
Dimension in mm				Weight: 0,94 gr	Cod. Mold: ST.05CM000	
 <small>The present drawing cannot be reproduced or communicated to 3rd parties, even partially, without the authorization of ITALTRONIC Srl. Italtronic reserves the right to protect its own rights according to the law.</small>				Derived from: --		
 <b>italtronic</b> enclosures for electronics italtronic.com				Description: COPRIMORSETTO SPECIALE 2M-CM067 LOW PROFILE TERMINAL COVER SPECIAL 2M-CM067 LOW PROFILE		
Drawing nr.:				Rev.:		
<b>2_258_00019</b>				00 A4		

## General information:

-  Workpiece zero point for mechanical processing
- Minimum recommended radius for machining = R1.0 mm