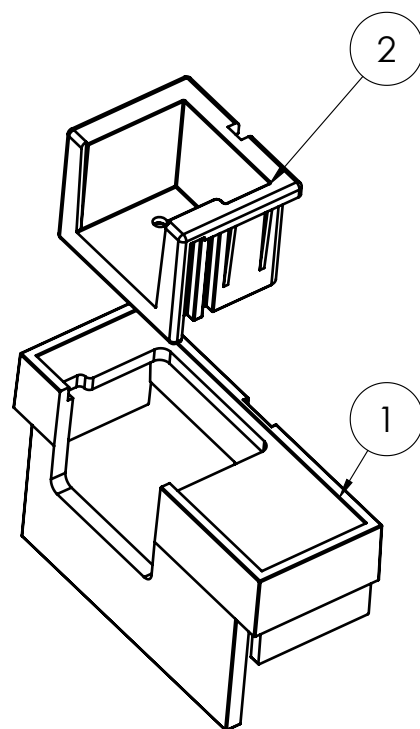
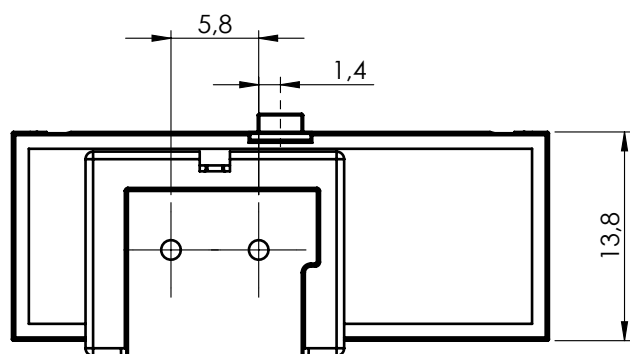
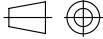


SECTION A-A



| RIF. | Q.TY | DRAWING | DESCRIPTION | | |
|--|---|-----------------------|---|--------------------------|------------------|
| 1 | 1 | 2_250_03798 | KIT TERMINAL COVER 2M-EIB X 1 EIB BUS CONNECTOR | | |
| 2 | 1 | 2_250_03622 | EIB UNIVERSAL ACCESSORY | | |
| General Tolerance UNI EN 22768/1 Media (m) | | | | | Sheet: |
| from 0.5 to 3 ± 0.1 | from 3 to 6 ± 0.1 | from 6 to 30 ± 0.2 | from 30 to 120 ± 0.3 | from 120 to 400 ± 0.5 | 1 |
| Scale: 2:1 | Drewed: | Checked: R.N. | Date: 30/06/2023 | Material: | Process: |
|  Dimension in mm | The present drawing cannot be reproduced or communicated to 3rd parties, even partially, without the authorization of ITALTRONIC Srl. Italtronic reserves to protect its own rights according to the law. | | Derived from: | Weight: gr | Cod. Mold: -- |
|  italtronic enclosures for electronics italtronic.com | | | Description: KIT COPRIMORSETTO 2M - EIB X1 CONNETTORE BUS KIT TERMINAL COVER 2M-EIB X 1 EIB BUS CONNECTOR | | |
| | | | Drawing nr.: 3_250_00127 | Rev.: - | A4 |