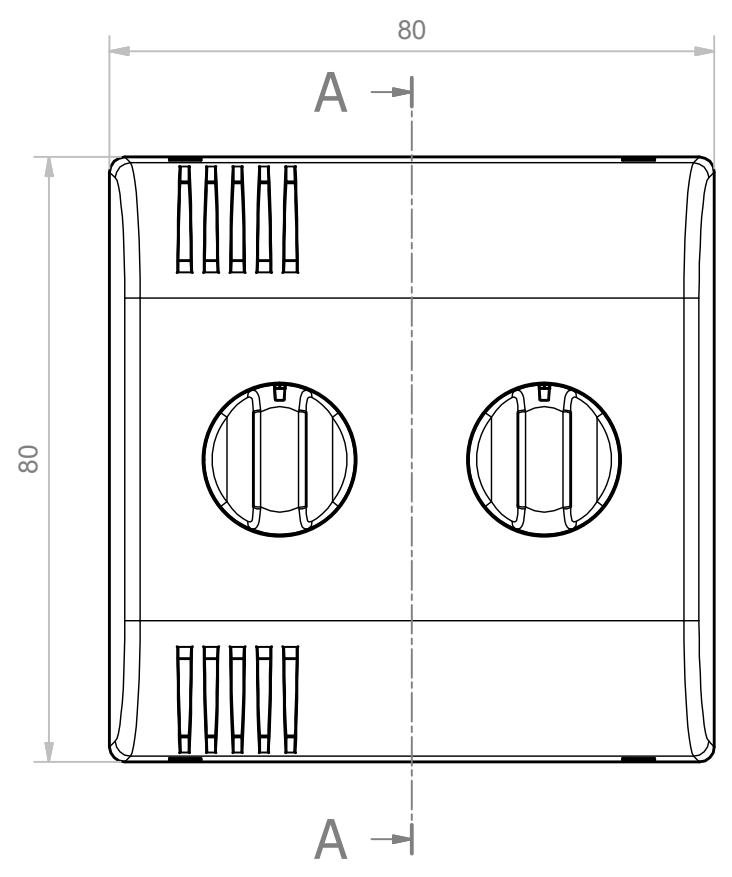
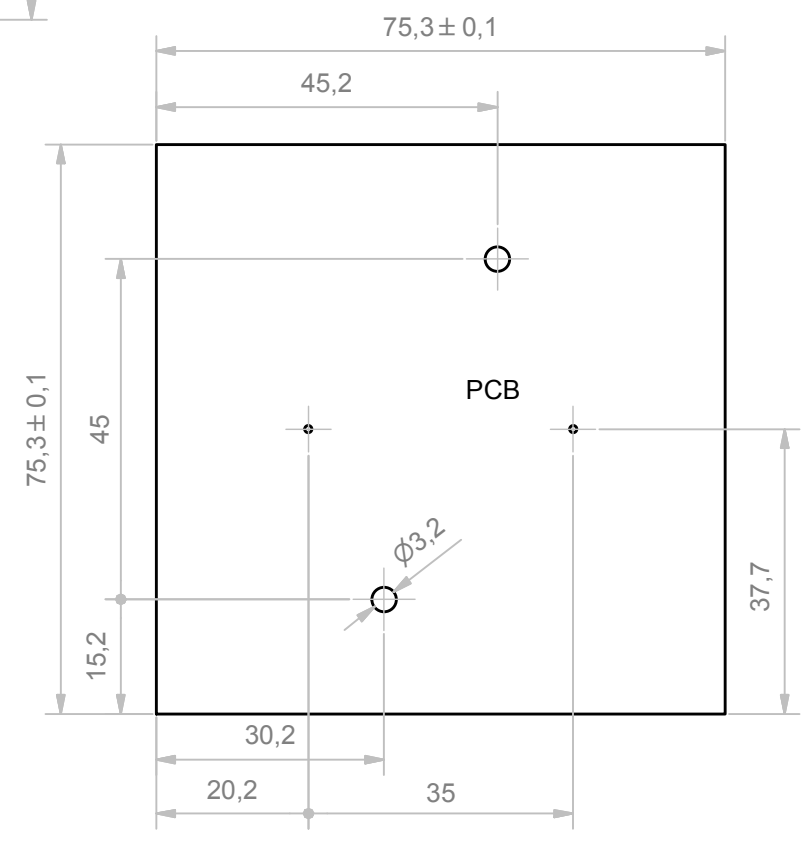
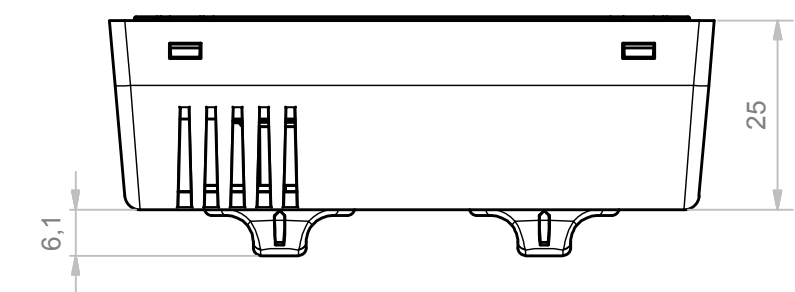
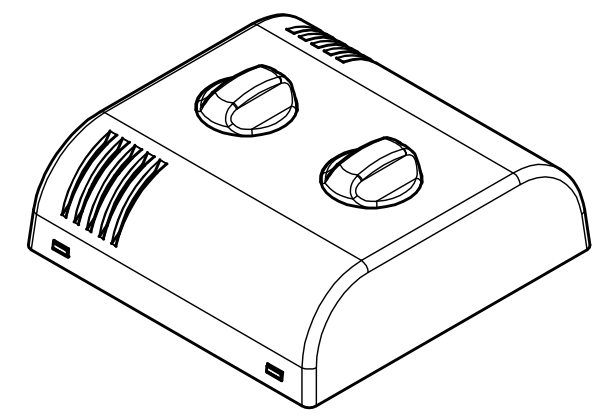
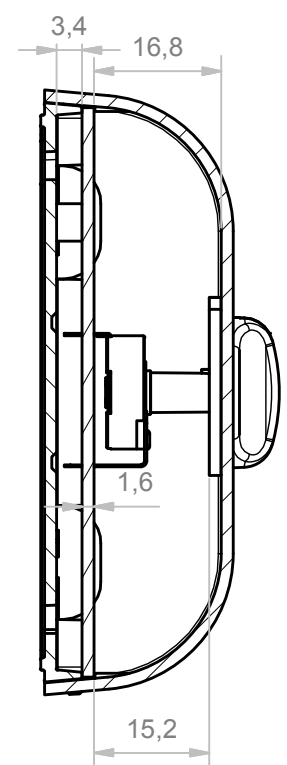


6 | 5 | 4 | 3 | 2 | 1

D
C
B
A



A-A (1:1)



RIF.	Q.TY	DESCRIPTION	CODE
1	2	KNOB D20 MM H-STD	V-01385
2	2	PIN THERMO	V-01384
3	1	COVER THERMO 80 WITH 2 HOLES FOR KNOB D20	
4	1	BASE THERMO 80 WITH SPACERS 4 MM	V-01378

RESERVED PROPERTY: The present drawing cannot be reproduced or communicated to 3d parties, even partially, without the authorization of ITALTRONIC Srl. Italtronic reserves to protect its own rights according to the law.

GENERAL TOLERANCE	UNI EN 22768/1 Media (m)	Drawn:	Checked:	Revision description
SHEET NR.	Dimension in mm	DRAWING BY	Rigato N.	Fanin F.
1 / 1		 Manual modification are not allowed	Date: 06/03/2017	Scale: 1 : 1
Denomination:		COMPLETE ENCLOSURE THERMO 80 WITH 2 KNOBS AND SPACERS		
		ITALTRONIC S.R.L. VIA AUSTRIA 25/D 35127 PADOVA - ITALY www.italtronic.com		Drawing nr. T-06812-00

5 4 3 2 1

6 | 5 | 4 | 3 | 2 | 1