

General information:
 - Workpiece zero point for mechanical processing
 - Minimum recommended radius for machining = R1.0 mm
 - Mounting rail like EN 60715: TH 35-7.5 or TH 35-15
 - Recommended PCB outline on www.italtronic.com
 - Medium thickness = 1.5 mm

RIF.	Q.TY	DRAWING	DESCRIPTION
1	1	2_250_03427	BASE MODULBOX XT-XTS 12M
2	1	2_250_00021	BODY MODULBOX XTS 12MHC33-B CLOSED COMPACT
3	2	2_250_00072	HOOK FOR MODULBOX XT-XTS

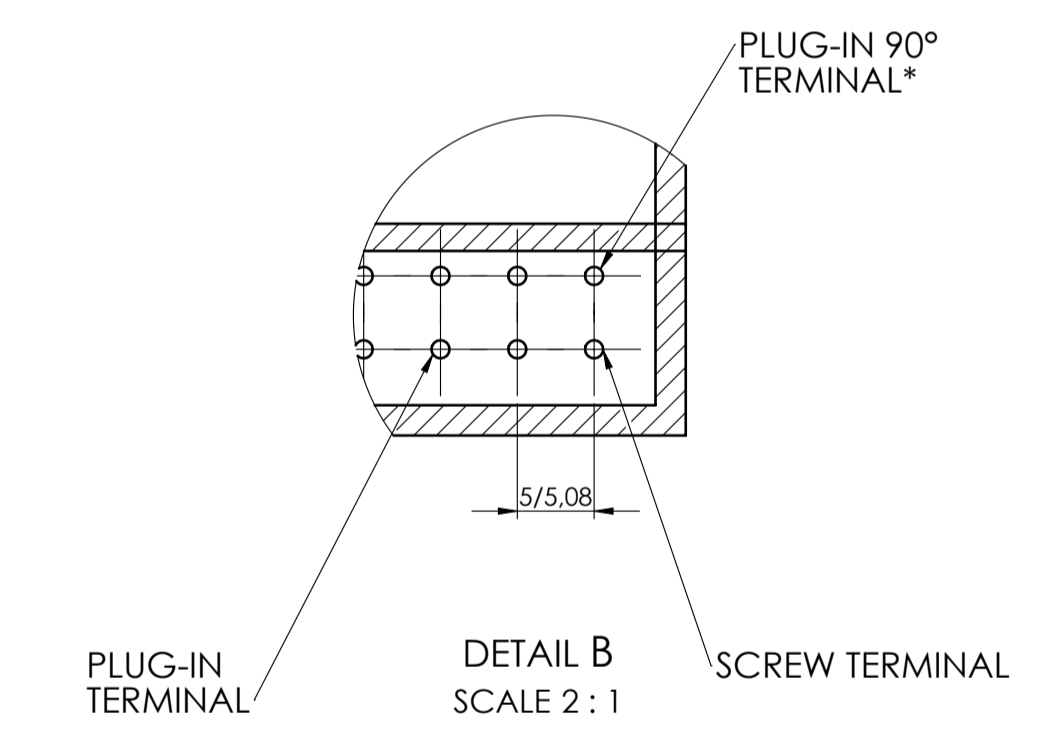
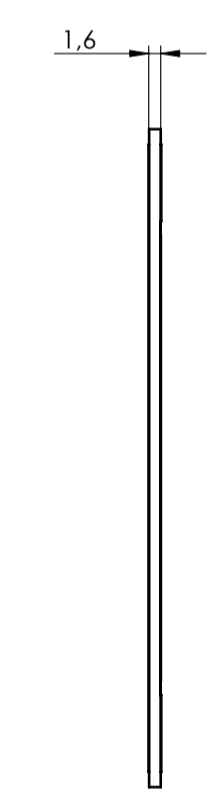
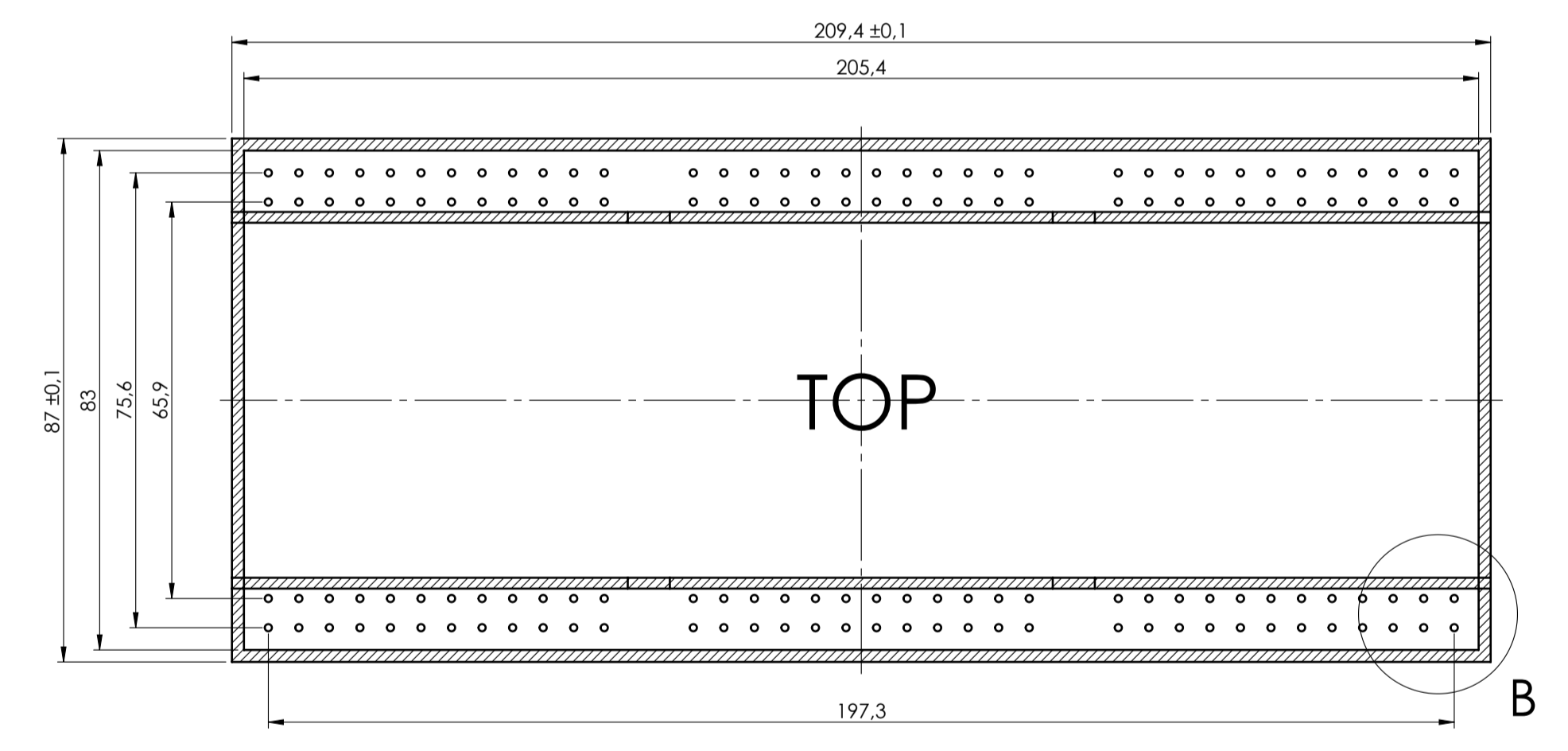
General Tolerances (UNE EN 22768/1 Media [mm])

from 0.5 to 3	from 3 to 6	from 6 to 30	from 30 to 120	from 120 to 400
± 0.1	± 0.1	± 0.2	± 0.3	± 0.5

Scale: 1:1
 Dimension in mm
 Sheet: 1
 Date: 14/03/2024
 Material: --
 Process: --
 Replaces the: M-05187-00
 Derived from: --
 Weight: gr
 Cod. Mold: --
 Description: KIT CONTENITORE MODULBOX XTS COMPACT 12MHC33-B
 KIT ENCLOSURE MODULBOX XTS COMPACT 12MHC33-B
 Drawing ref: **3_250_00021**
 Rev: 00 A1
 italtronic.com

PCB A

Max height of the terminal:
Modulbox XT/XTS: 18.5 mm



NO COMPONENTS AREA

General Tolerance IIR EN 22768/1 Media [m]					Sheet:
from 0.5 to 3	from 3 to 6	from 6 to 30	from 30 to 120	from 120 to 400	PCB
±0.1	±0.1	±0.2	±0.3	±0.5	Process:
Scale: 1:1	IM:	Drawn: M.S.	Checked: R.N.	Date: 14/03/2024	Material:
Dimension in mm		Replaces the: M-05187-00	Derived from:	Weight: gr	Cod. Mold:
Description: KIT CONTENITORE MODULBOX XTS COMPACT 12MHC3-8 KIT ENCLOSURE MODULBOX XTS COMPACT 12MHC33-8					Rev.: 00 A1
itatronic.com 3_250_00021					