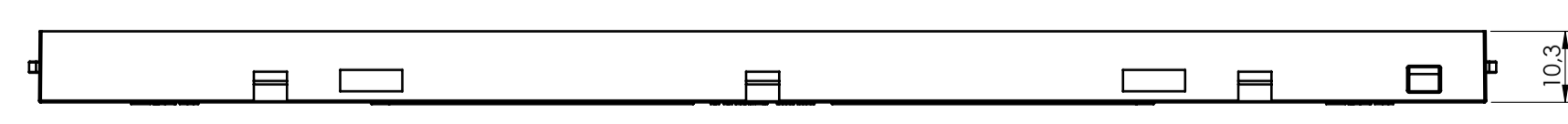
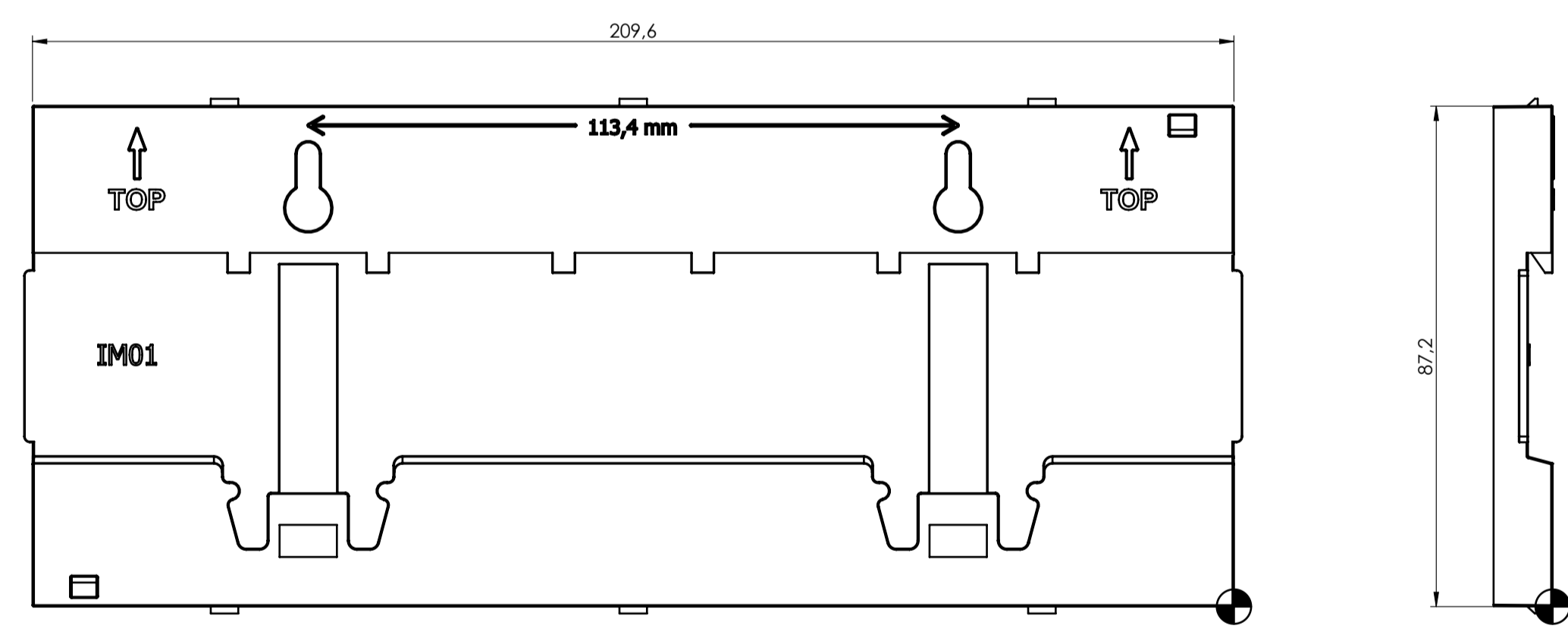
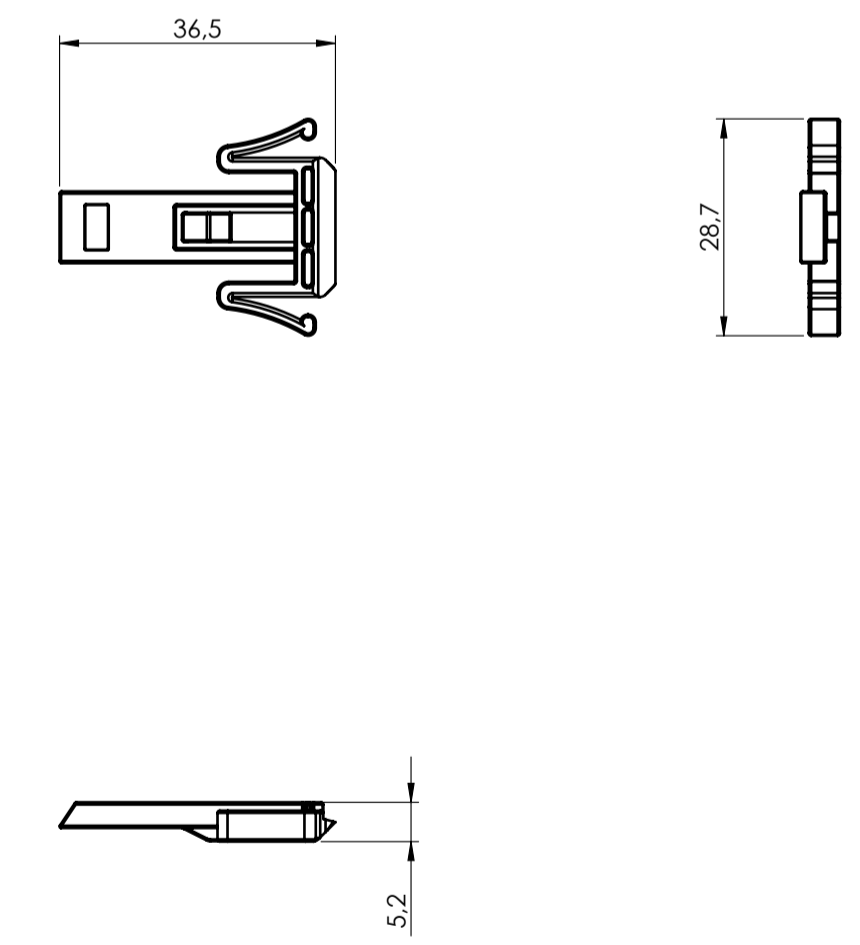


BASE



HOOK



General information:  
 - Workpiece zero point for mechanical processing  
 - Minimum recommended radius for machining = R1.0 mm  
 - Mounting rail like EN 60715; TH 35-7.5 or TH 35-15  
 - Recommended PCB outline on [www.italtronic.com](http://www.italtronic.com)  
 - Medium lickness = 1.5 mm

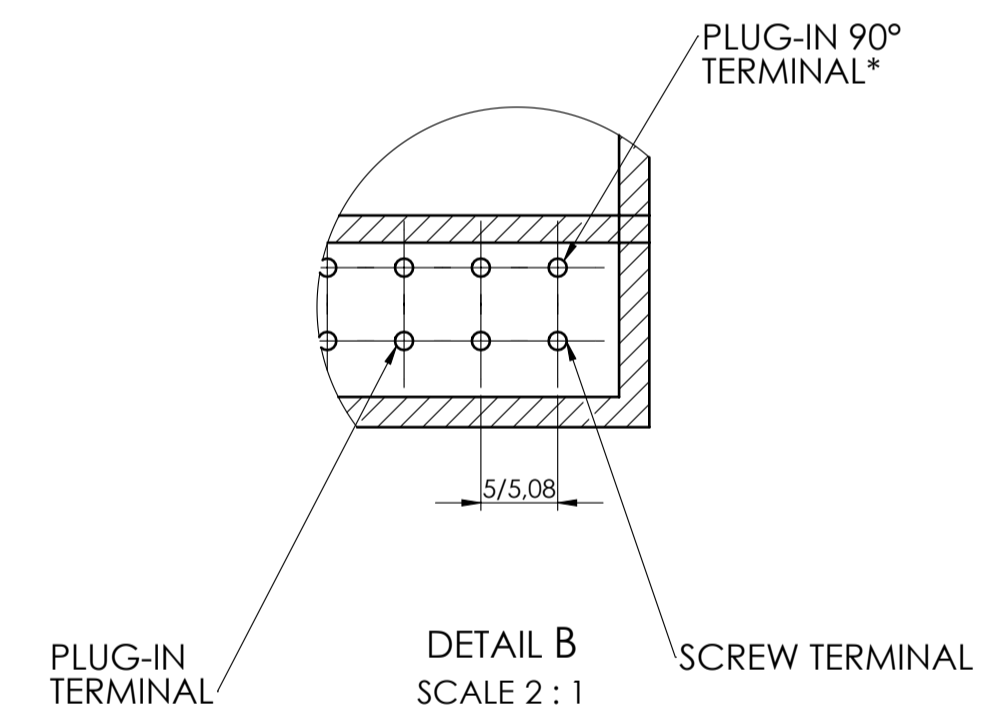
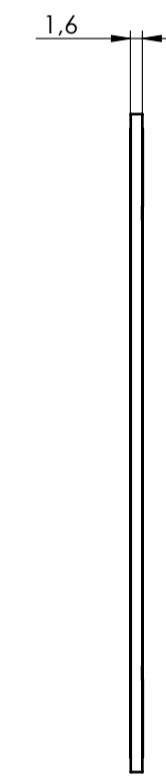
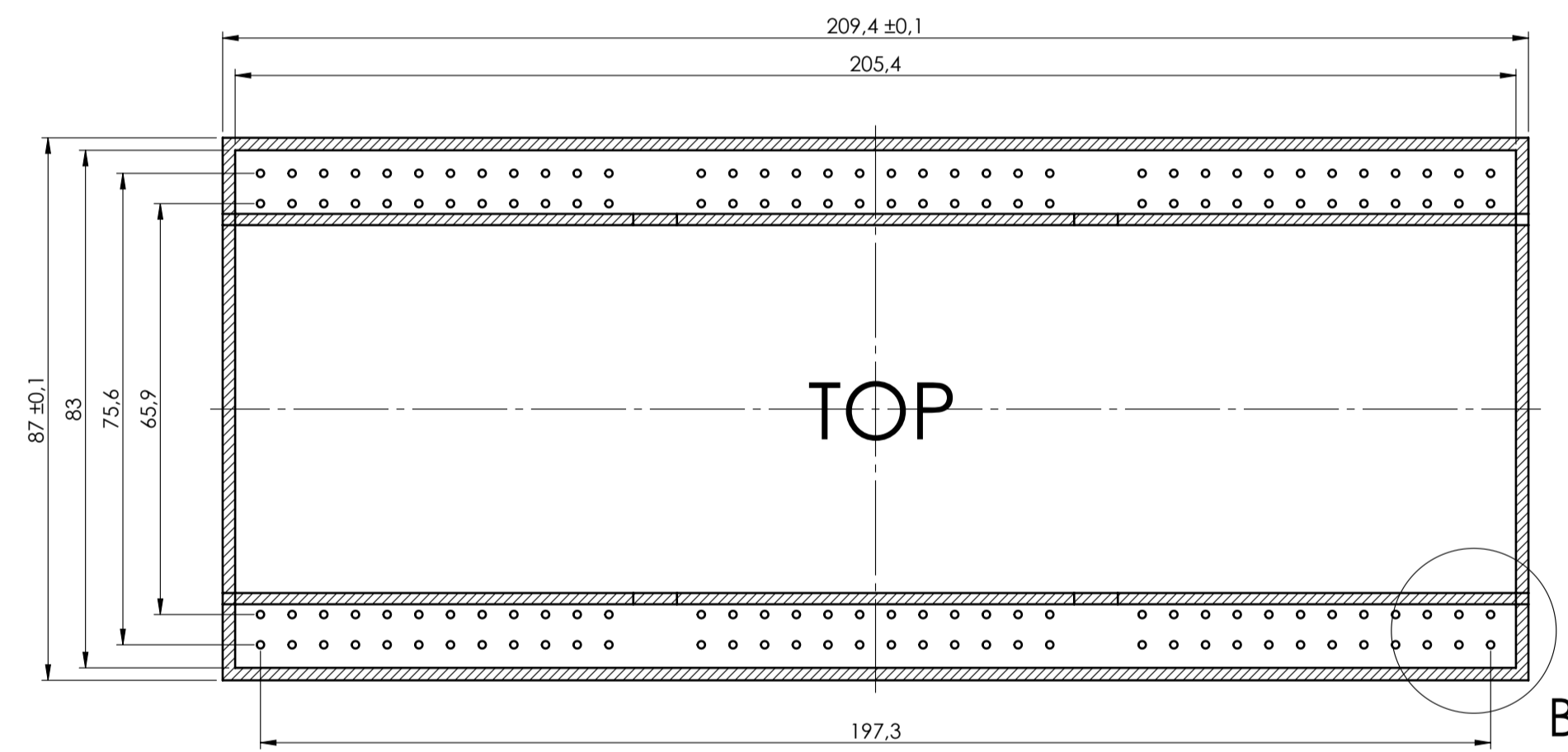
RIF.	Q.TY	DRAWING	DESCRIPTION
1	1	2_250_03427	BASE MODULBOX XT-XTS 12M
2	1	2_250_00020	BODY MODULBOX XTS 12MHC33-A CLOSED COMPACT
3	2	2_250_00072	HOOK FOR MODULBOX XT-XTS

General Tolerances (UNE EN 22768/1 Medio [mm])				Sheet:
from 0.5 to 3	from 3 to 6	from 6 to 30	from 30 to 120	from 120 to 400
± 0.1	± 0.1	± 0.2	± 0.3	± 0.5
Scale:	1:1	IM:	M.S.	R.N.
Drawn:	--	Checked:	--	Date:
14/02/2024		Material:		Process:
Replaces the:		Derived from:		Weight:
M-05184-00	--			gr
Description:				Cod. Mold:
KIT CONTENITORE MODULBOX XTS COMPACT 12MHC33-A				
KIT ENCLOSURE MODULBOX XTS COMPACT 12MHC33-A				
Drawing n°:				Rev:
3_250_00020				00 A1
italtronic.com				

PCB A

Max height of the terminal:  
Modulbox XT/XTS: 18.5 mm



General Tolerance IIR EN 22768/1 Media [m]				Sheet:	
from 0.5 to 3 ± 0.1	from 3 to 6 ± 0.1	from 6 to 30 ± 0.2	from 30 to 120 ± 0.3	from 120 to 400 ± 0.5	PCB
Scale:	1:1	1:1	1:1	1:1	1:1
Drawn:	M.S.	R.N.	R.N.	R.N.	R.N.
Checked:					
Date:	14/02/2024				
Material:					
Dimension in mm					
Replaces the:	M-05184-00				
Derived from:					
Weight:				gr	
Cod. Mold:					
Description:					Rev:
KIT CONTENITORE MODULBOX XTS COMPACT 12MHC3-A					00
KIT ENCLOSURE MODULBOX XTS COMPACT 12MHC33-A					A1
Drawing by:					
3_250_00020					
Italtironi					
enclosures for electronics					
italtironi.com					

NO COMPONENTS AREA