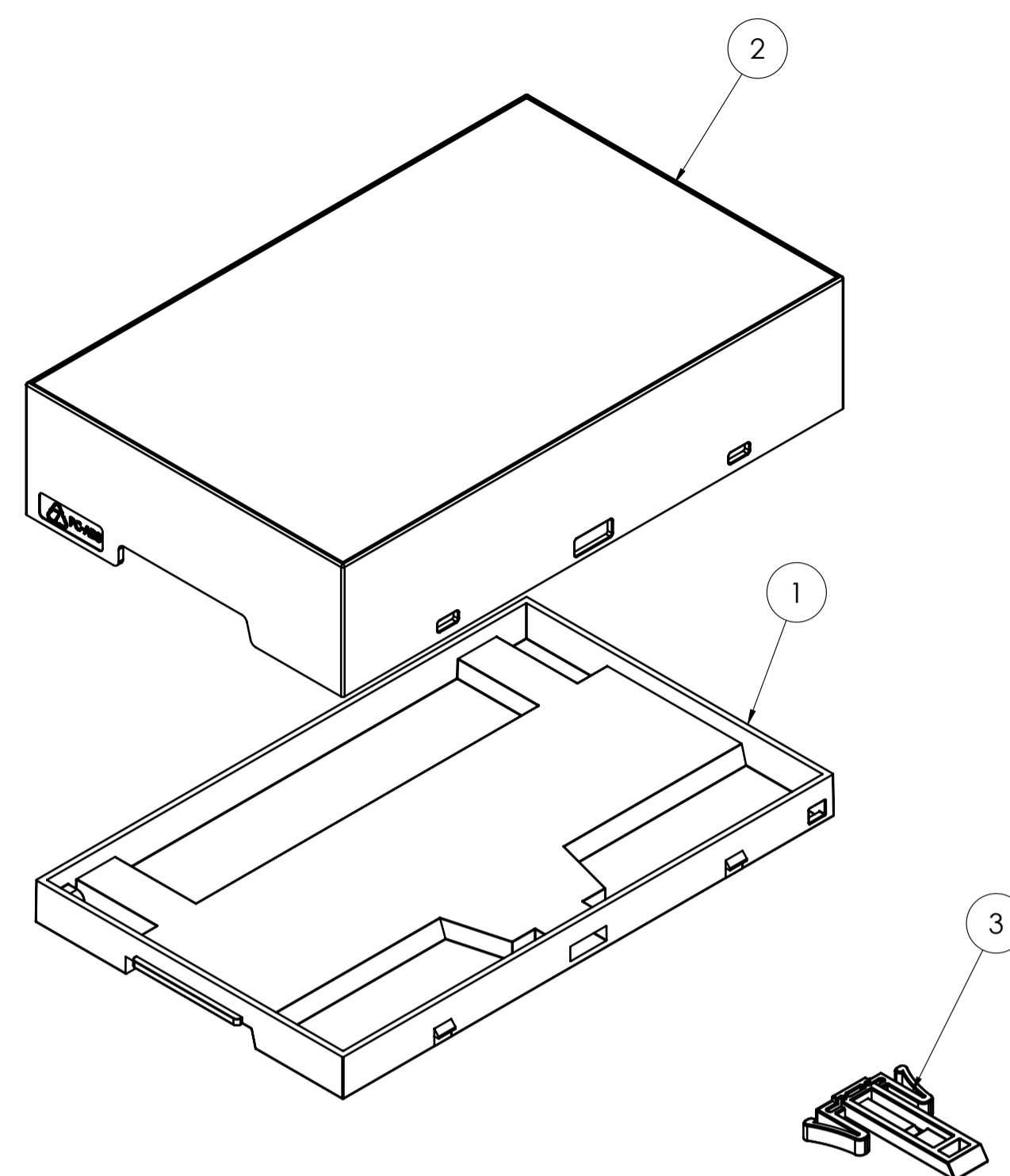
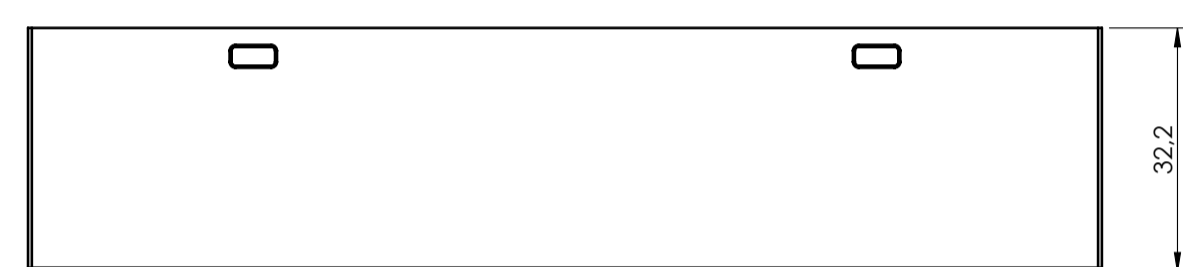
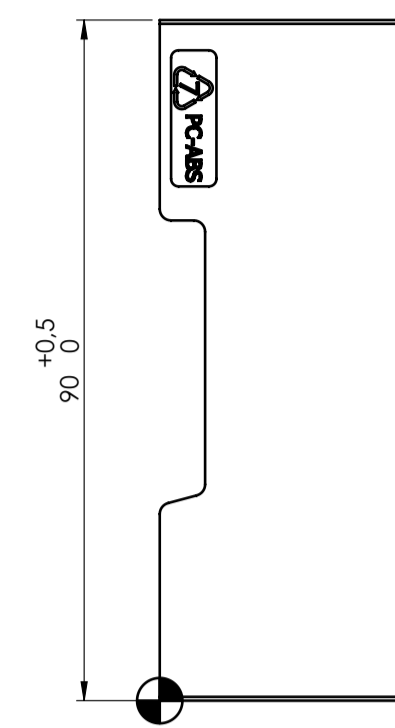
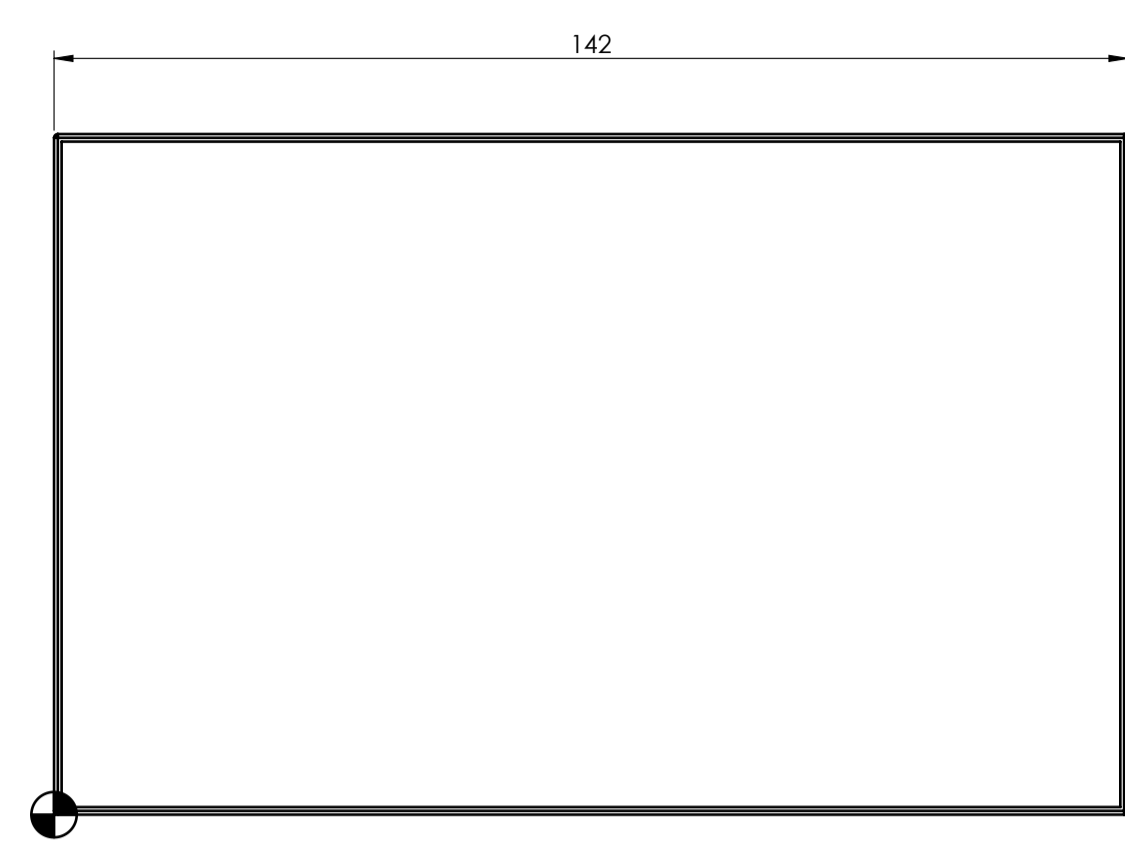
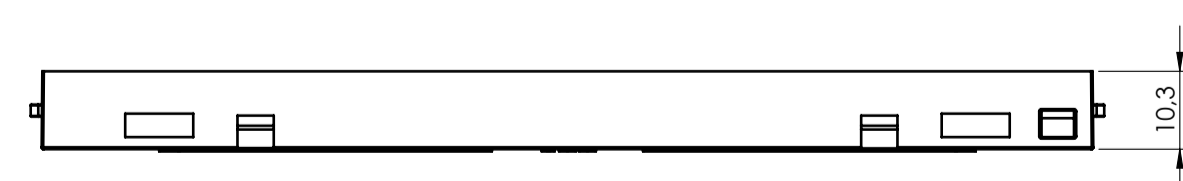
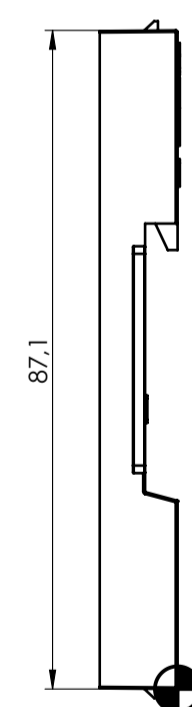
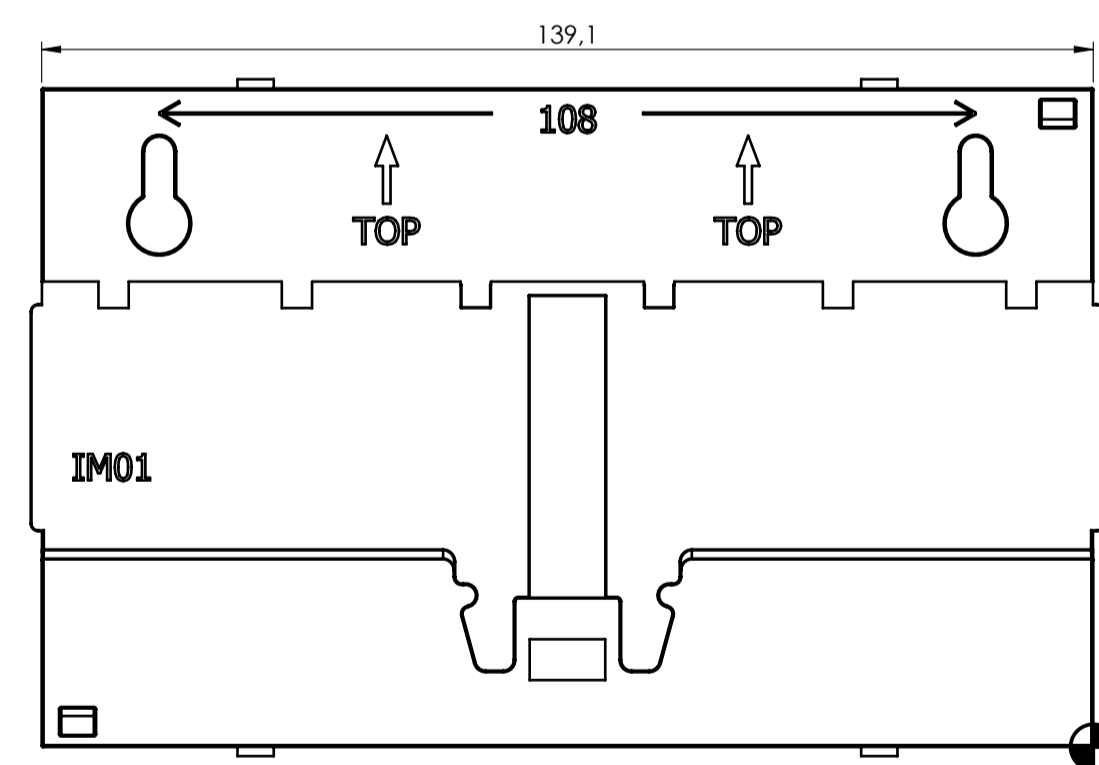


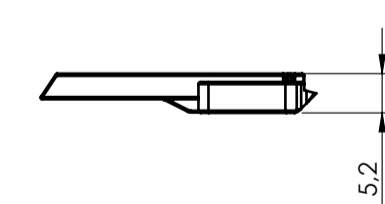
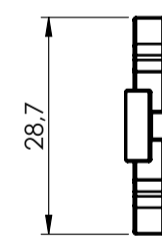
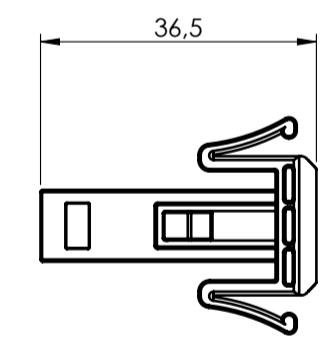
BODY ENCLOSURE



BASE



HOOK



General information:
 ● Workpiece zero point for mechanical processing
 - Minimum recommended radius for machining = R1.0 mm
 - Mounting rail like EN 60715: TH 35-7.5 or TH 35-15
 - Recommended PCB outline on www.italtronic.com
 - Medium thickness = 1.5 mm

REF.	Q.TY	DRAWING	DESCRIPTION
1	1	2_250_03449	BASE MODULBOX XT/XTS - BM
2	1	2_250_00017	BODY MODULBOX XTS BMC33-C CLOSED COMPACT
3	1	2_250_00072	HOOK FOR MODULBOX XT-XTS

General Tolerances (UNE EN 22768/1 Medio [mm])

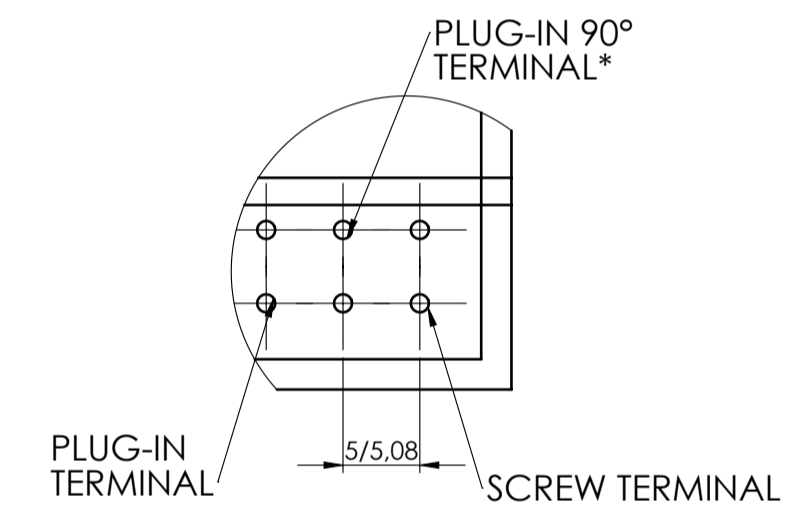
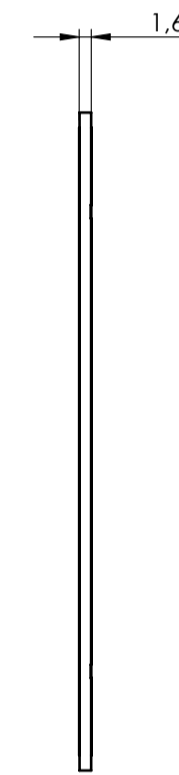
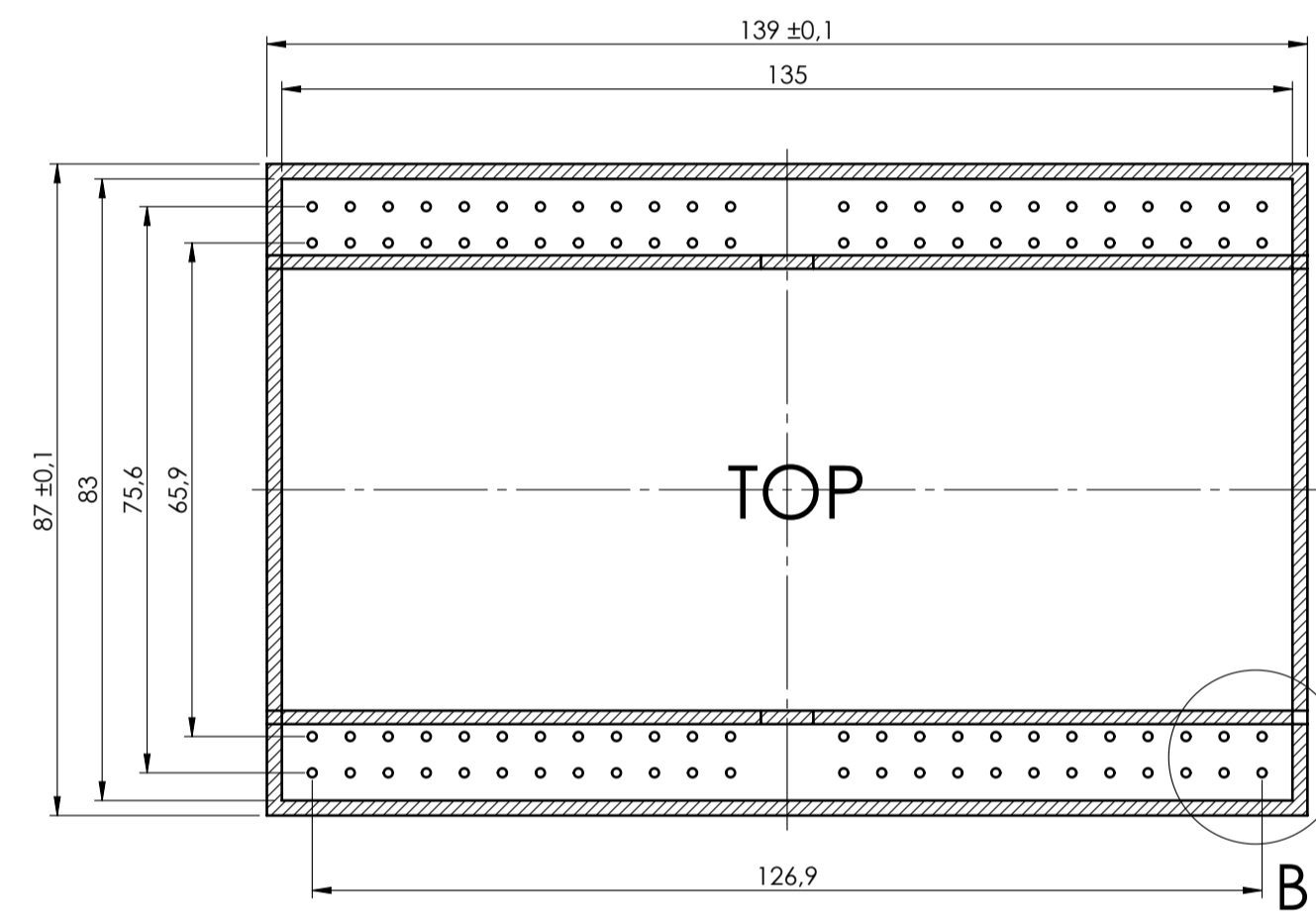
from 0.5 to 3	from 3 to 6	from 6 to 30	from 30 to 120	from 120 to 400
±0.1	±0.1	±0.2	±0.3	±0.5

Scale: 1:1
 Dimension in mm
 M.S. R.N.
 Replaces the: M-05182-00
 Date: 13/03/2024
 Weight: gr
 Cod. Mold: --

italtronic
 enclosures for electronics
 3_250_00017
 Rev: 00 A1

PCB A

Max height of the terminal:
Modulbox XT/XTS: 18.5 mm



DETAIL B
SCALE 2 : 1

General Tolerance IIR EN 22768/1 Media [m]					Sheet:
from 0.5 to 3	from 3 to 6	from 6 to 30	from 30 to 120	from 120 to 400	PCB
± 0.1	± 0.1	± 0.2	± 0.3	± 0.5	
Scale:	1:1	1:1	1:1	1:1	Process:
IM:	M.S.	R.N.	13/03/2024	Material:	
Drawn:	Checked:	Date:	Replaces the:	Derived from:	
M-05182-00	--	--	Weight:	Cod. Mold:	
Dimension in mm	Description:				
Kit CONTENITORE MODULBOX XTS COMPACT BMC33-C KIT ENCLOSURE MODULBOX XTS COMPACT BMC33-C Drawing n°: 3_250_00017					Rev: 00
NO COMPONENTS AREA italtronic.com					A1