

A-A (1:1)

68,1

16,1

24,1

65

71,1

69,1

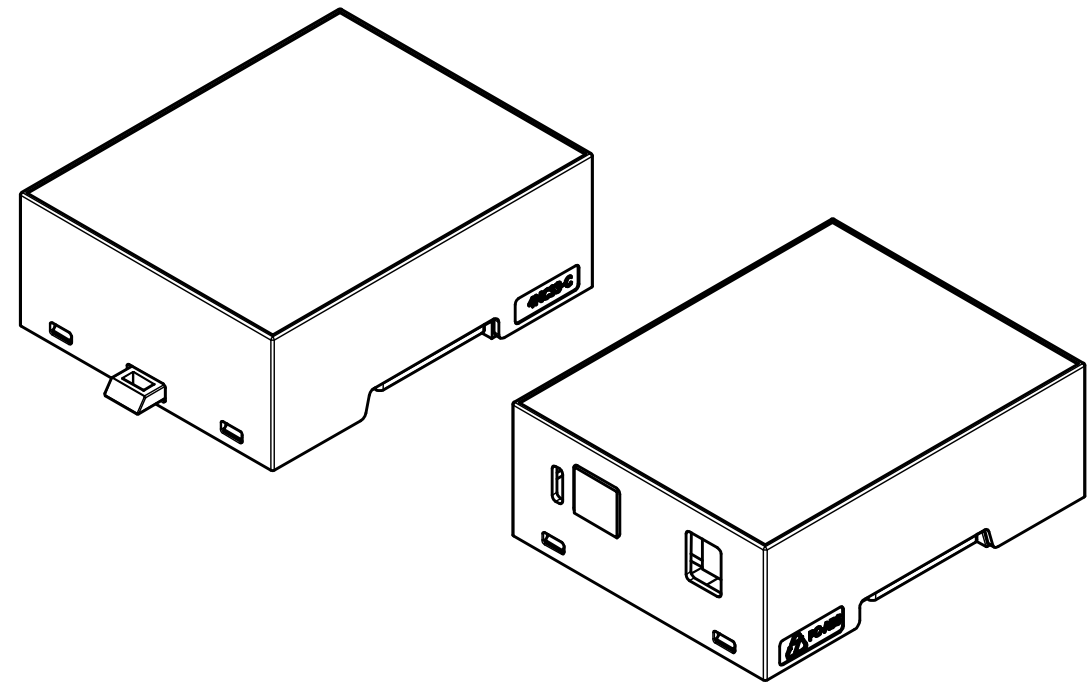
88

90

A

A

32,2



RIF.	Q.TY	DESCRIPTION	CODE
1	1	BASE 4M XT ARDUINO	M-05215
2	1	BODY 4MC33-C XTS FOR ARDUINO UNO AND 101	M-06457
3	1	HOOK MODULBOX LONG	M-01900
4	3	SCREW 2.9X6.5 d TRUNC	PM10012021

RESERVED PROPERTY: The present drawing cannot be reproduced or communicated to 3d parties, even partially, without the authorization of ITALTRONIC Srl. Italtronic reserves to protect its own rights according to the law.

GENERAL TOLERANCE	UNI EN 22768/1 Media (m)	Drawn:	Checked:	Revision description
SHEET NR.	Dimension in mm	DRAWING BY	Rigato N.	Fanin F.
1 / 1		 Manual modification are not allowed	Date: 07/12/2016	Replace nr.
Denomination:		KIT 4M XTS COMPACT ARDUINO UNO E 101		
		ITALTRONIC S.R.L.		Drawing nr.
UN PARTNER PER IL FUTURO		VIA AUSTRIA 25/D 35127 PADOVA - ITALY		M-06458-00
www.italtronic.com				