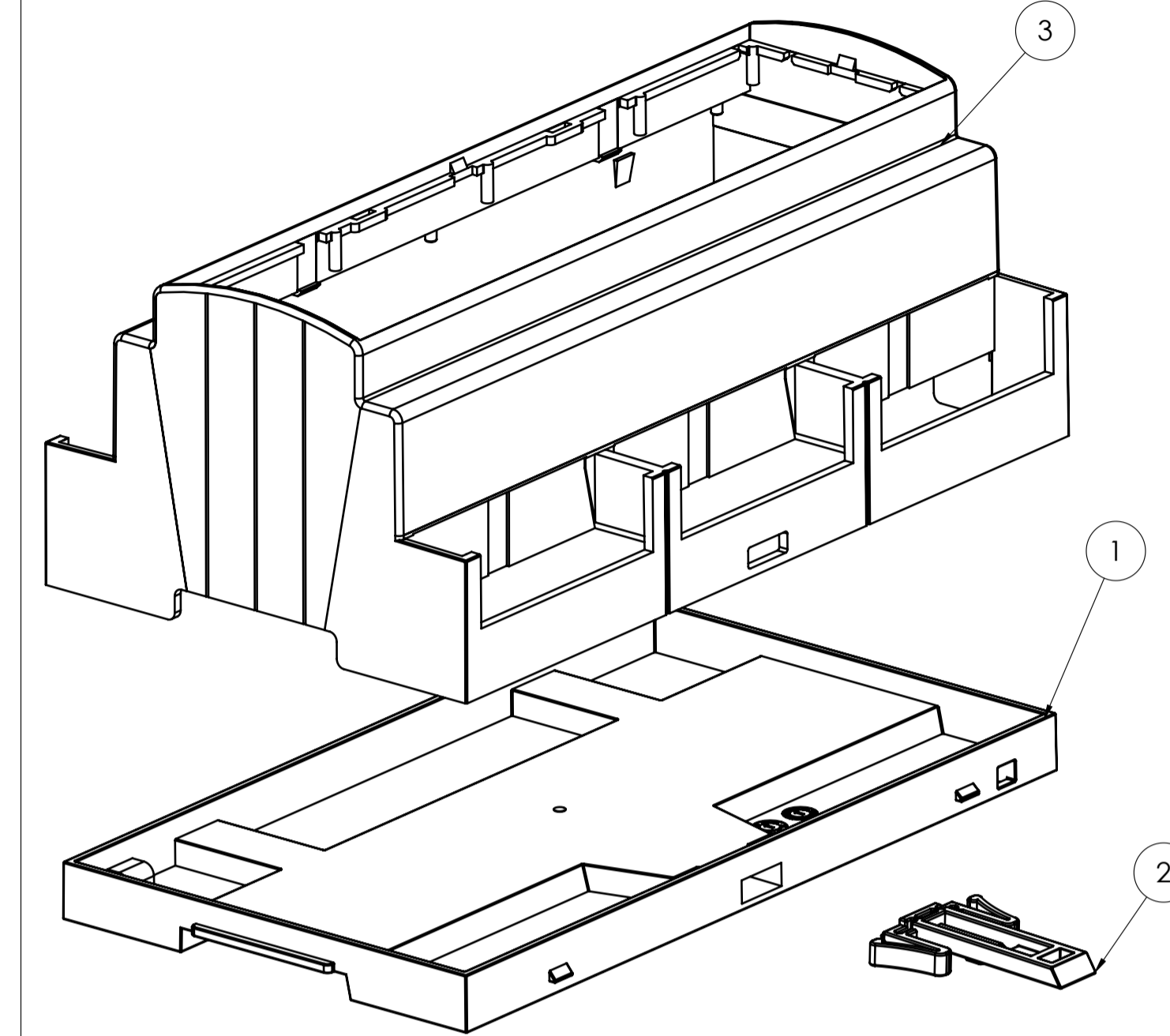
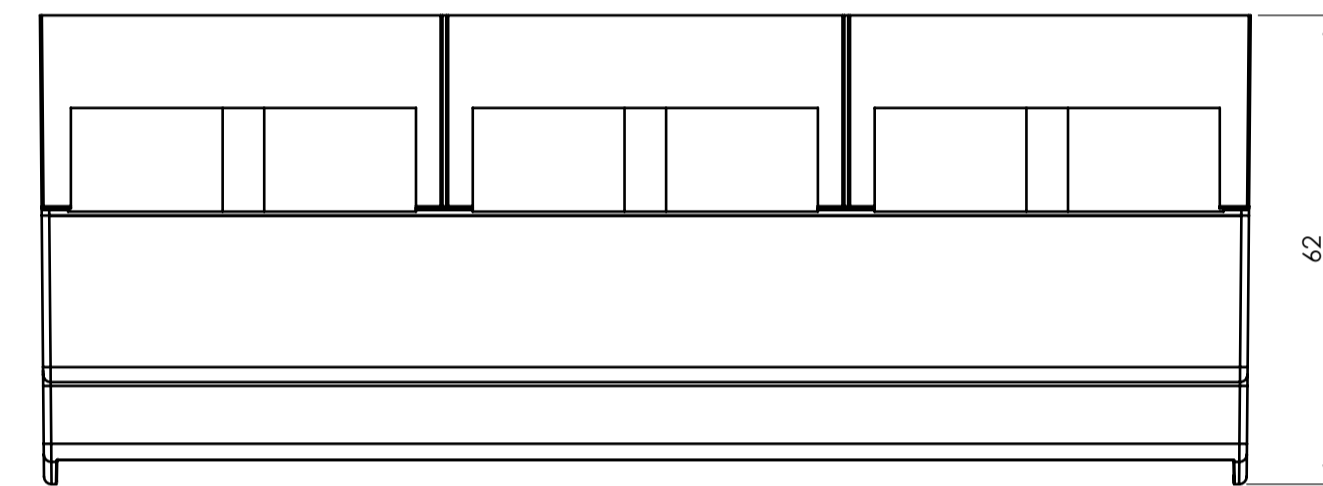
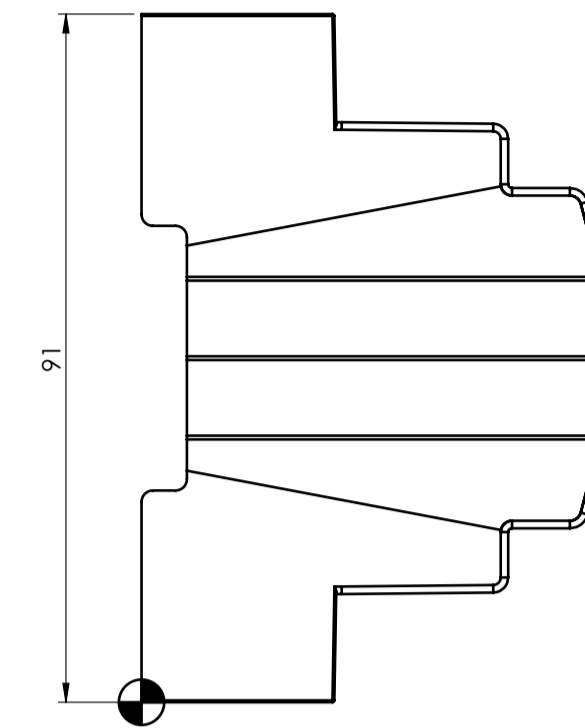
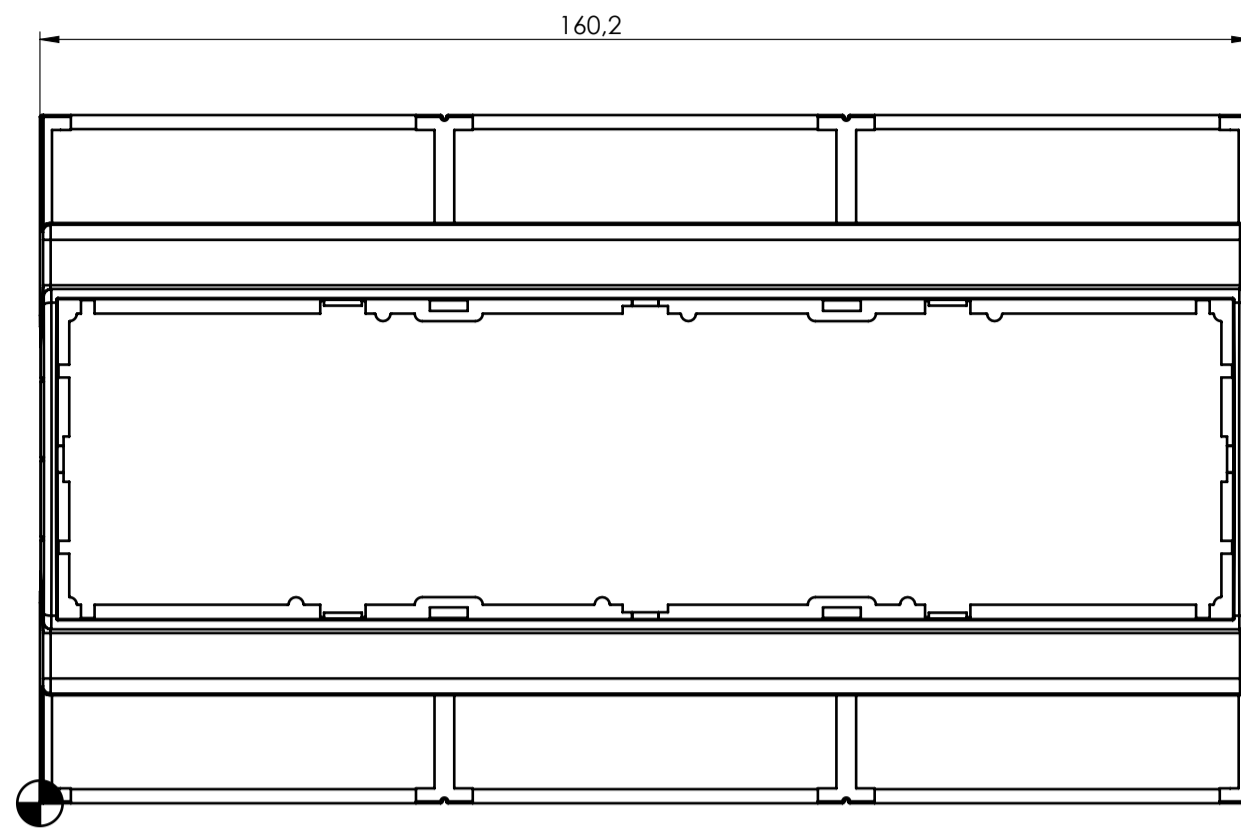
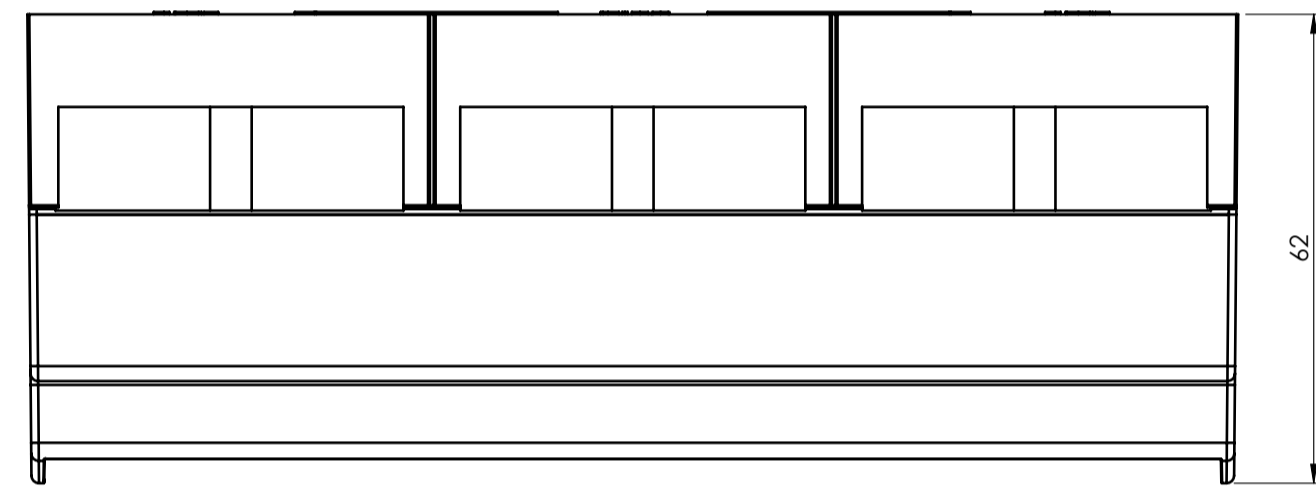
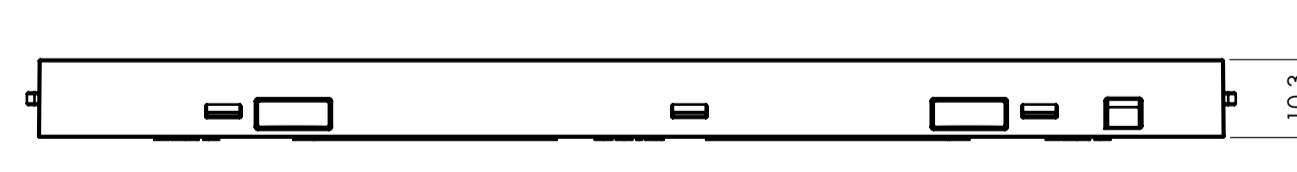
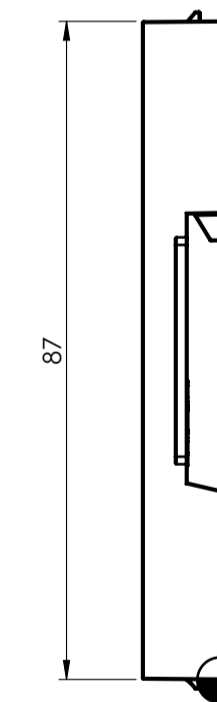
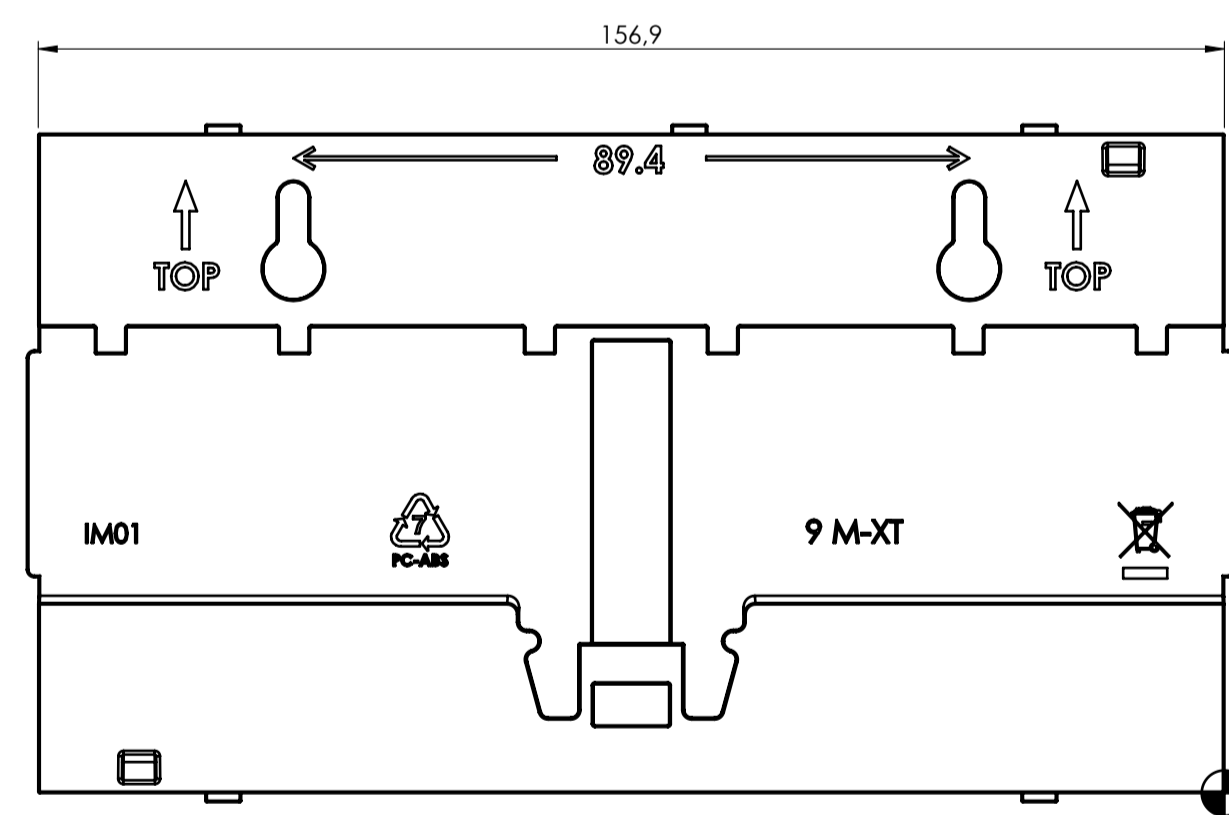
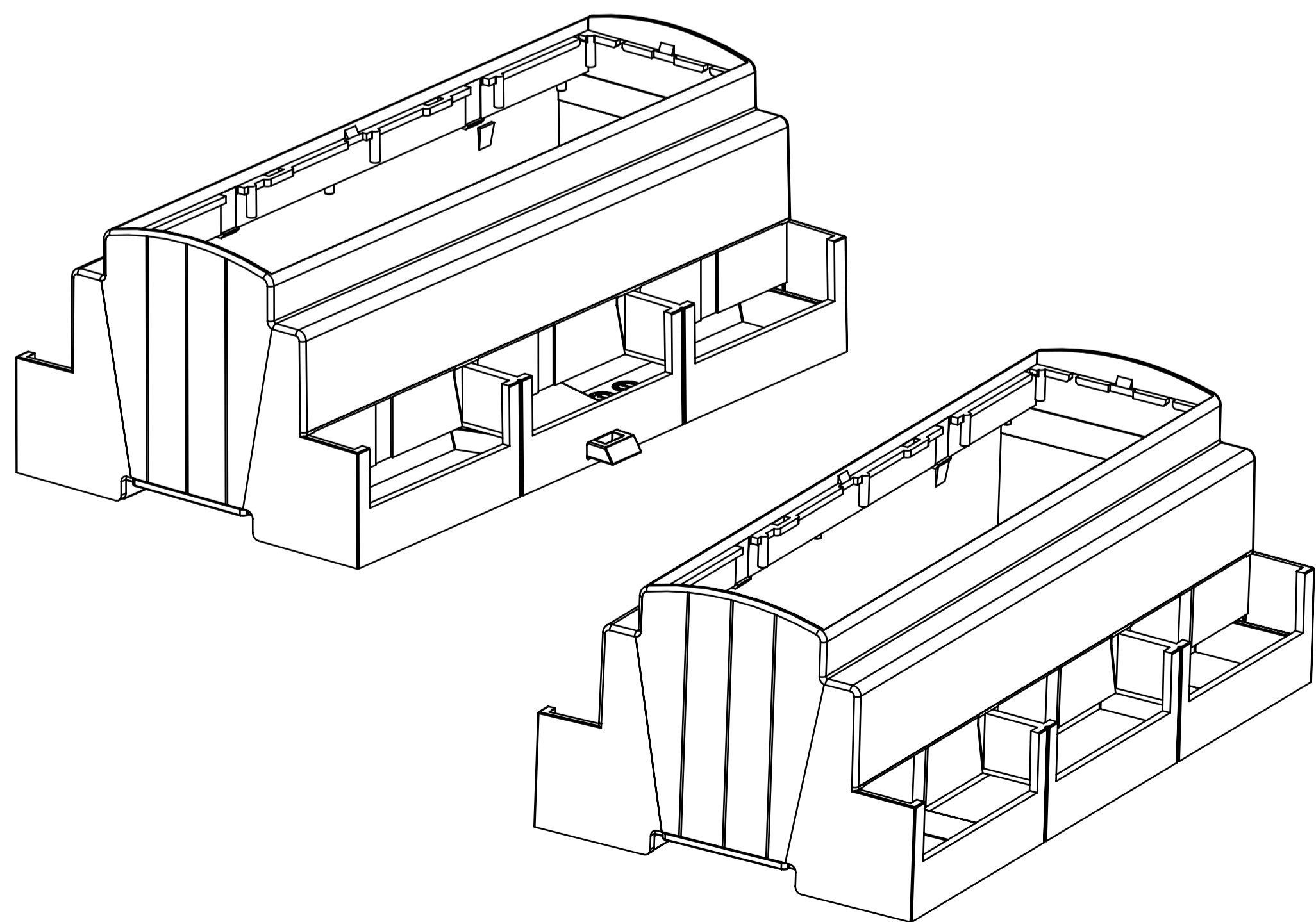


SECTION A-A

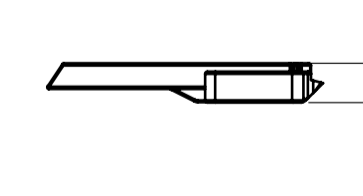
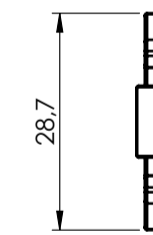
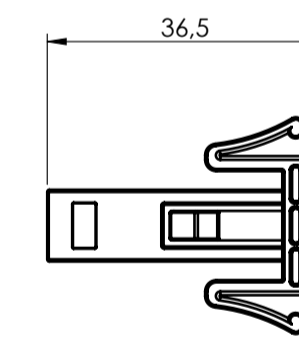


BODY ENCLOSURE

BASE



HOOK



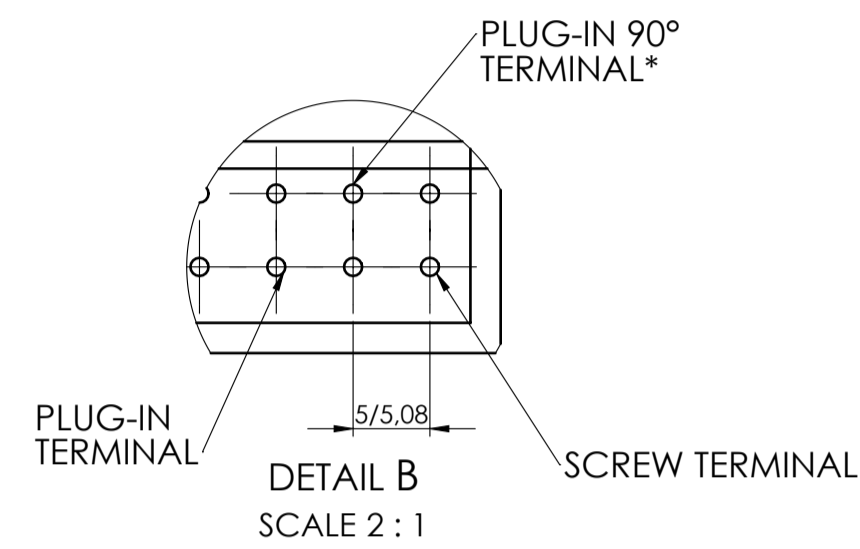
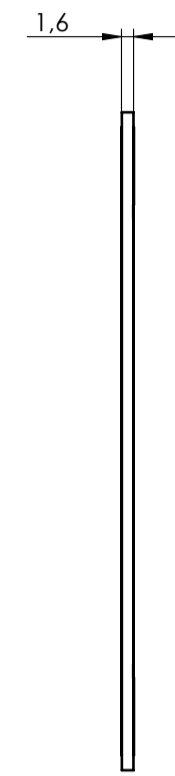
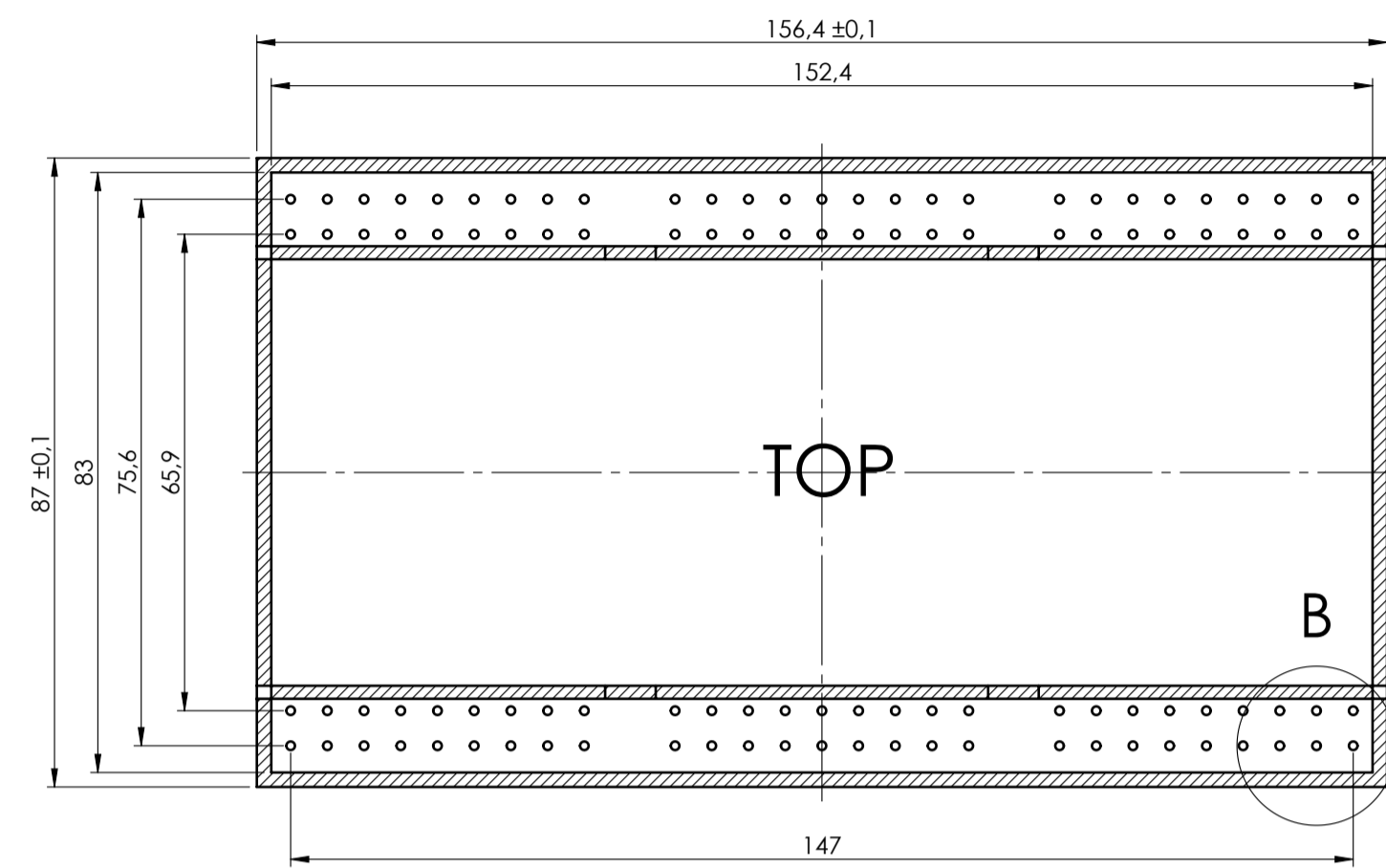
General information:
 ● Workpiece zero point for mechanical processing
 - Minimum recommended radius for machining = R1.0 mm
 - Mounting rail like EN 60715: TH 35-7.5 or TH 35-15
 - Recommended PCB outline on www.italtronic.com

RIF.	Q.TY	DRAWING	DESCRIPTION
1	1	2_250_00086	BASE 9M MODULBOX XT-XTS
2	1	2_250_00072	HOOK FOR MODULBOX XT-XTS
3	1	2_250_03680	BODY MODULBOX XTS 9M53-A

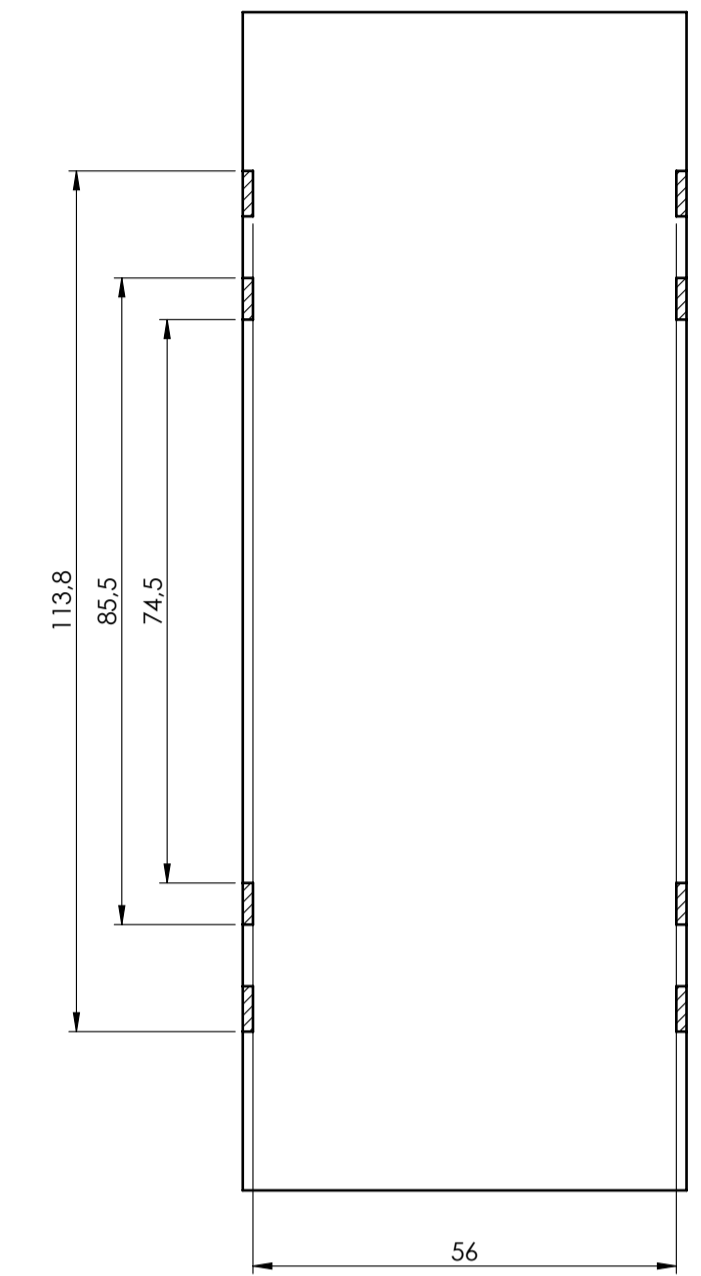
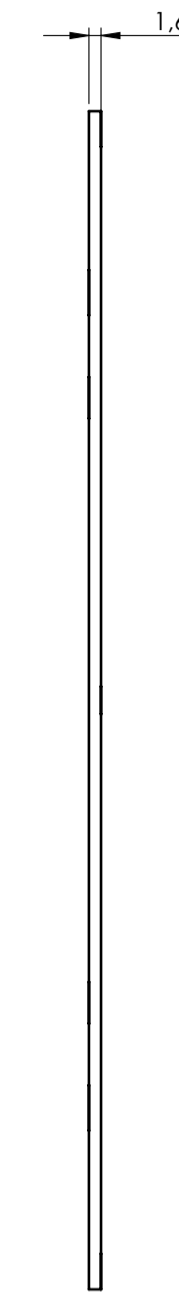
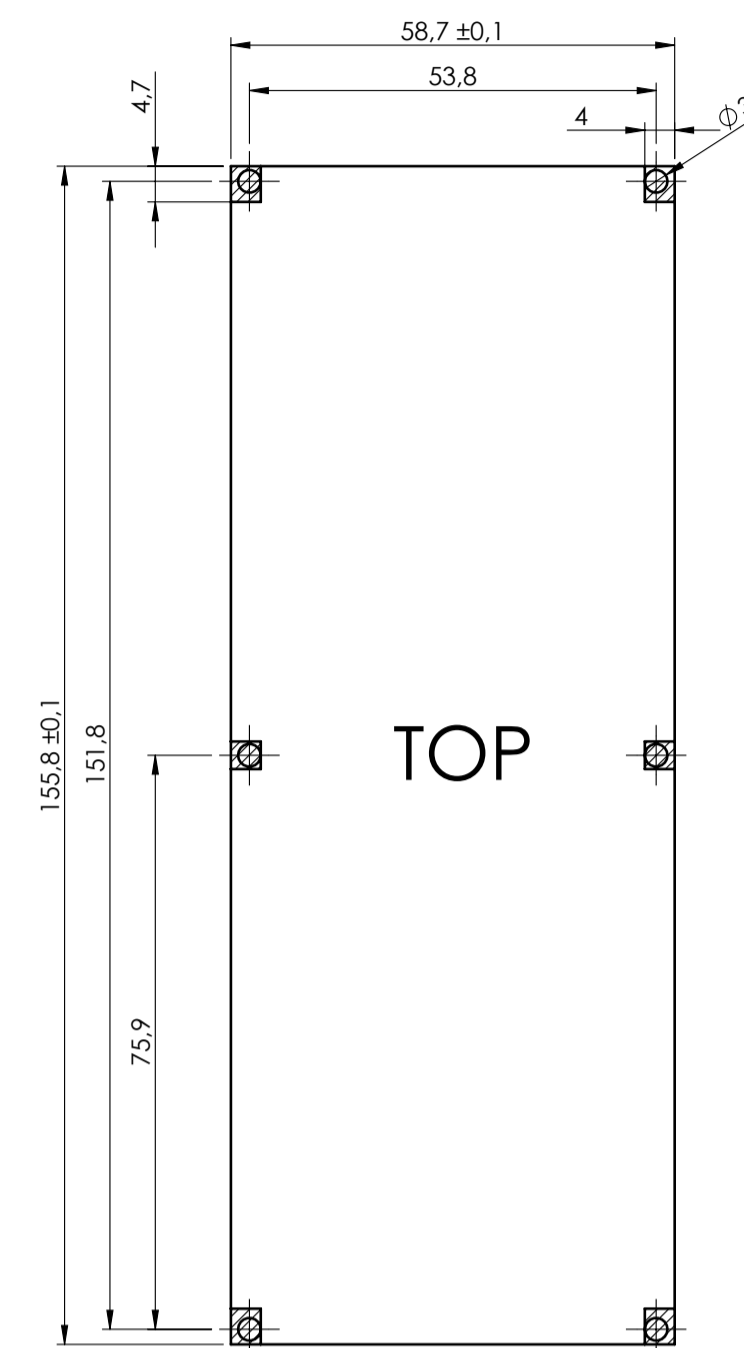
General Tolerance (MIE EN 22768/1 Medio [H])	Sheet:
from 0.5 to 3 ± 0.1	from 3 to 6 ± 0.1
from 4 to 30 ± 0.2	from 30 to 120 ± 0.3
from 120 to 400 ± 0.5	1
Scale:	1:1
Drawn:	R.N.
Checked:	04/05/2023
Date:	
Material:	
Process:	
Weight:	gr
Cod. Mold:	--
Description: KIT CONTENITORE MODULBOX XTS 9M53-A KIT ENCLOSURE MODULBOX XTS 9M53-A	
Drawing nr. 3_250_00105	
Rev.:	1
A1	

PCB A

Max height of the terminal:
Modulbox XT/XTS: 18.5 mm
Modulbox ONE: 20 mm

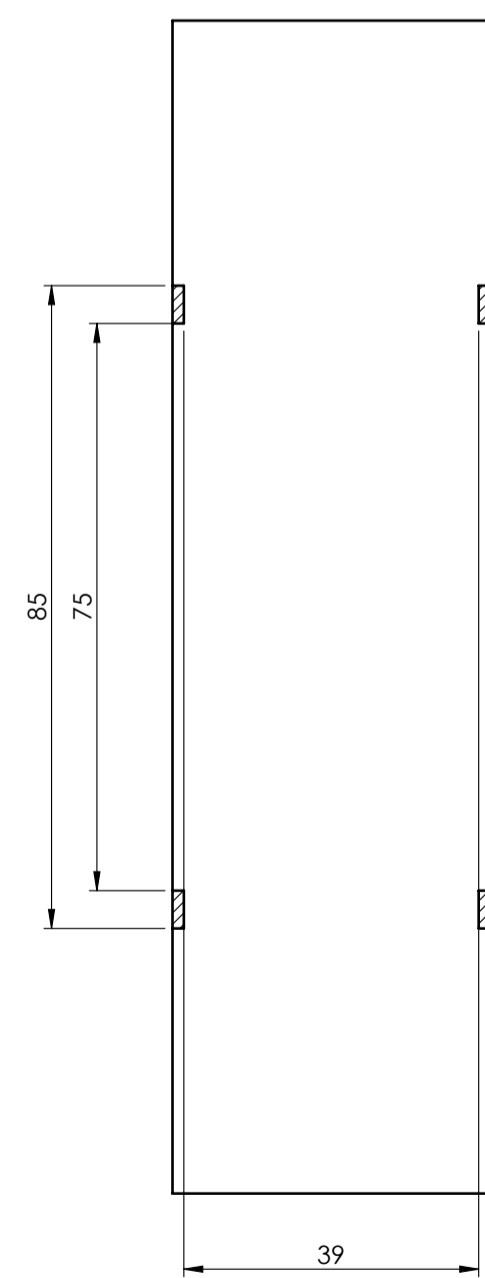
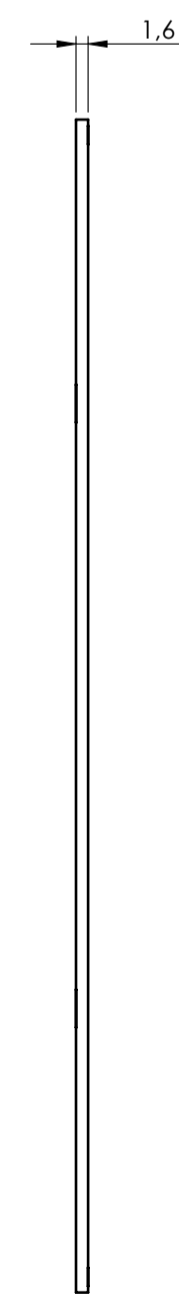
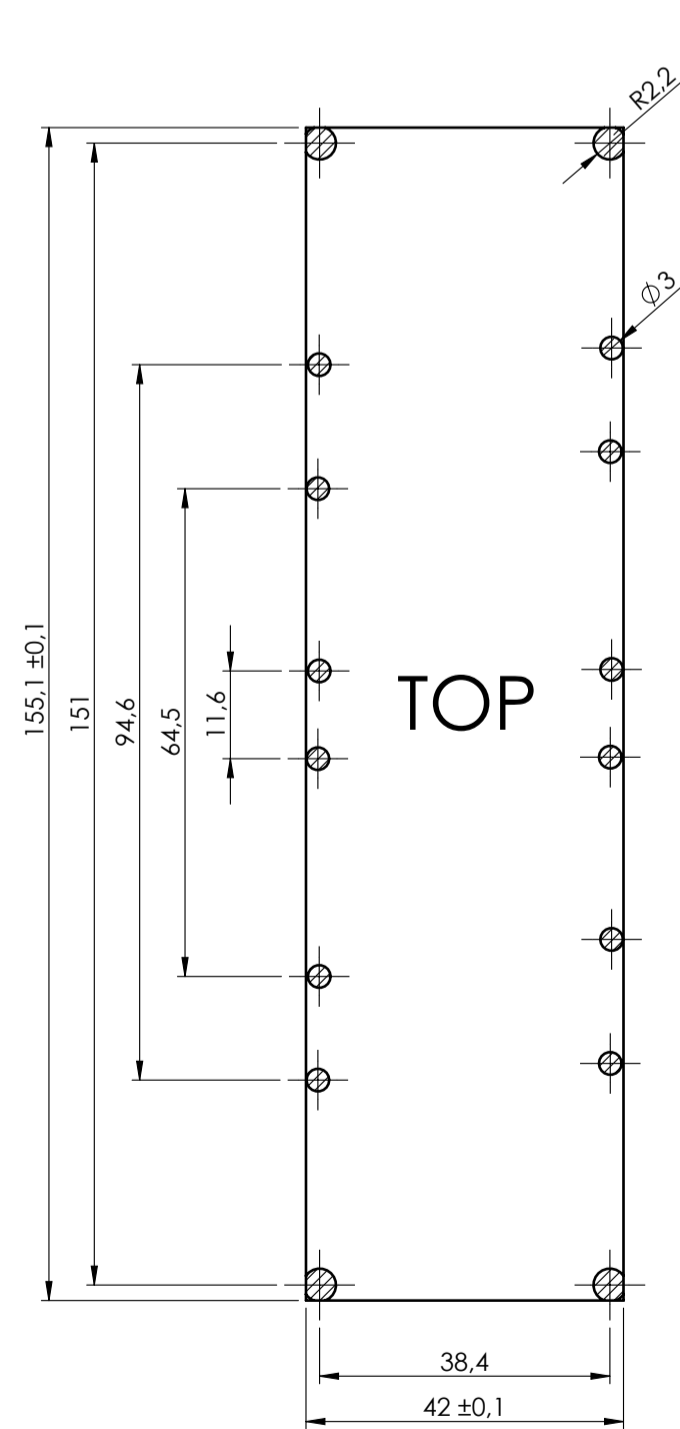


PCB B

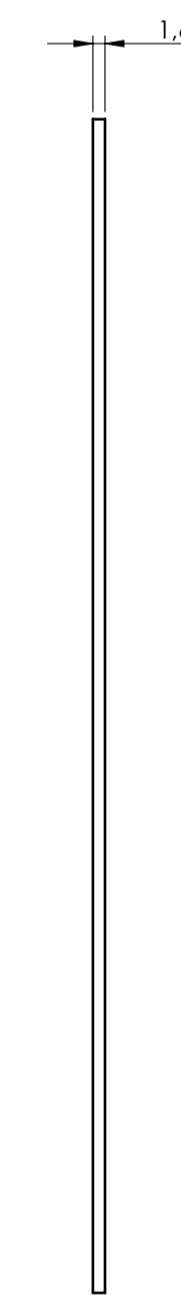
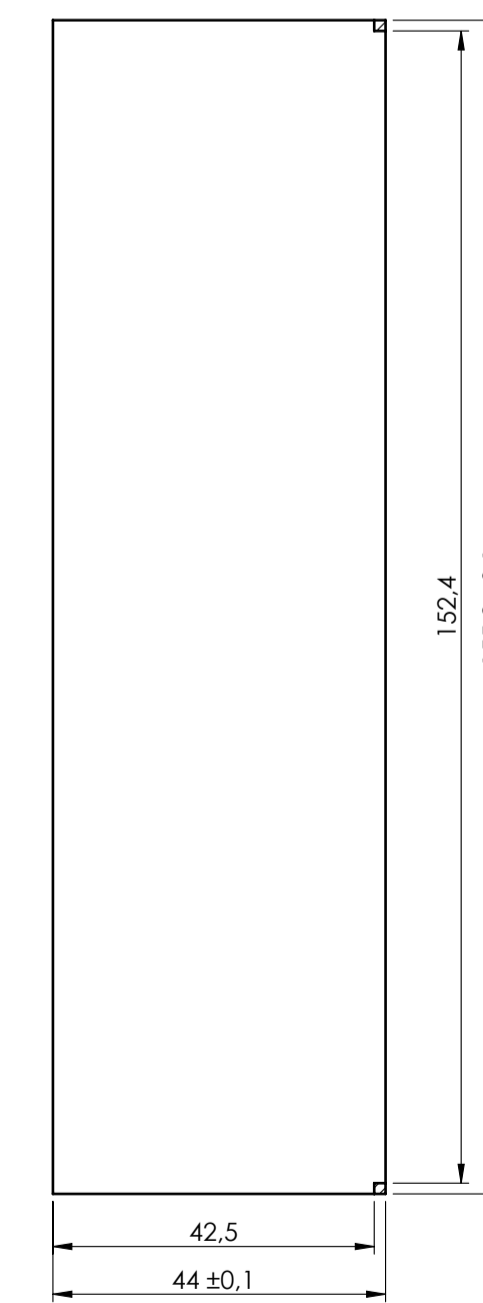


*To use the PLUG-IN terminals in Modulbox ONE use plug-in adapter P05000003E (5/5.08 pitch) and P05000004E (7.5/7.62 pitch)

PCB C



PCB V2



General Tolerance UNE EN 22768 / I Media (m)				Sheet:	
from 0.5 to 3 ± 0.1	from 3 to 6 ± 0.1	from 6 to 30 ± 0.2	from 30 to 120 ± 0.3	from 120 to 400 ± 0.5	PCB
Scale:	Drawn:	Checked:	Date:	Material:	Process:
1:1		R.N.	04/05/2023		
Dimension in mm	Derived from:		Weight:	Cod. Mold:	
			gr	--	
Description:			Rev.:		
KIT CONTENITORE MODULBOX XTS 9M53-A KIT ENCLOSURE MODULBOX XTS 9M53-A			-		
Drawing n°:			A1		
3_250_00105					

NO COMPONENTS AREA

