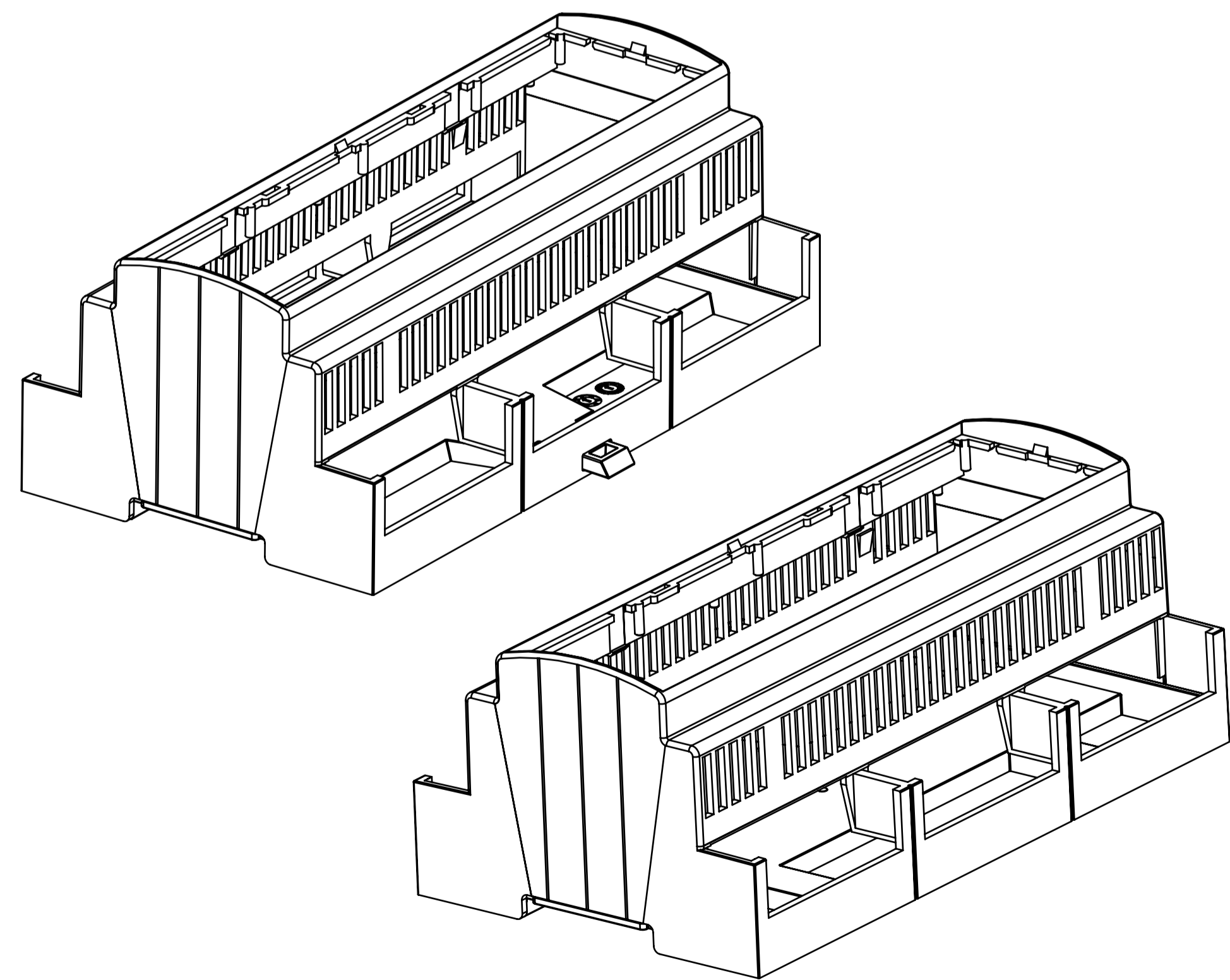
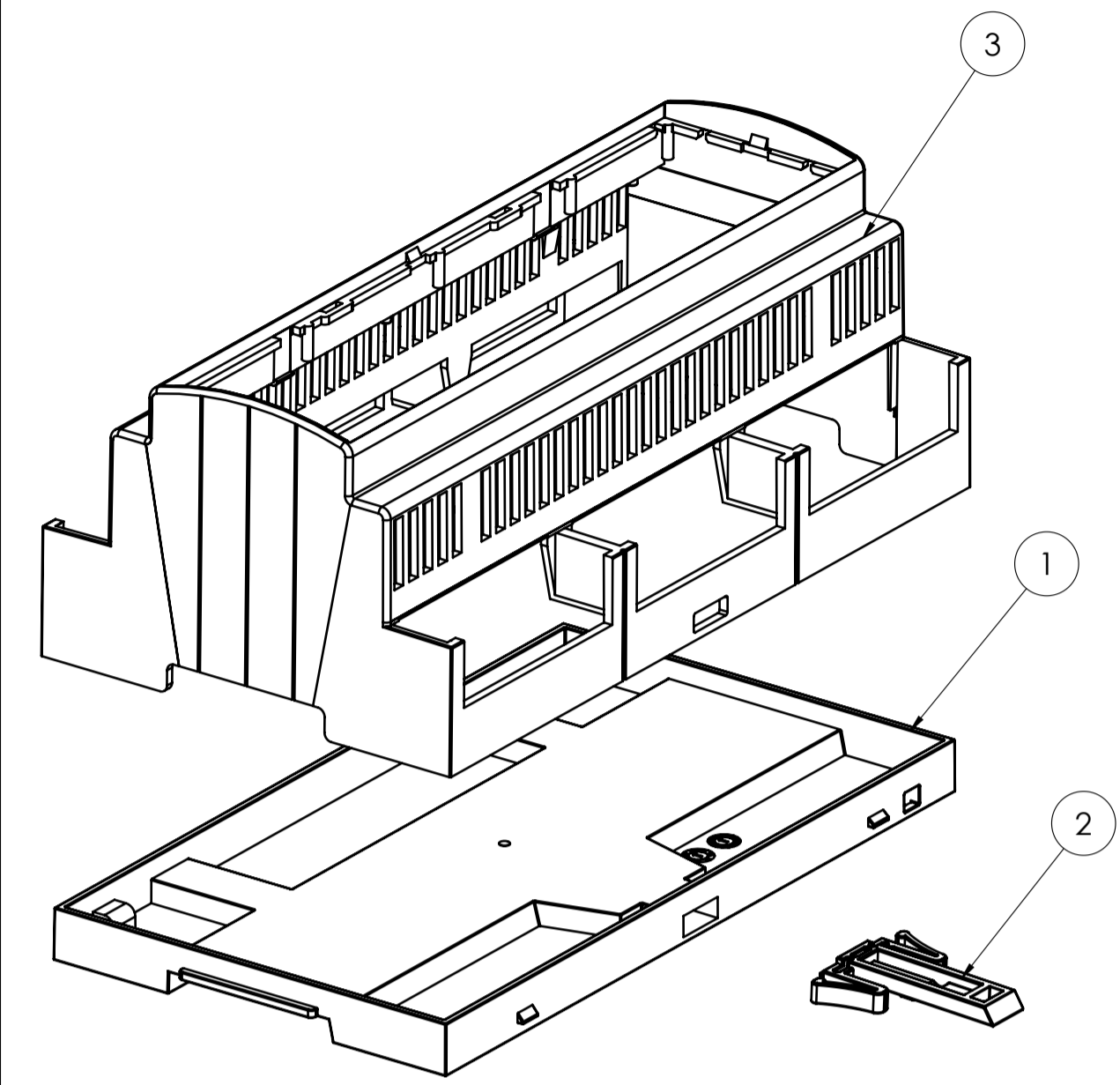
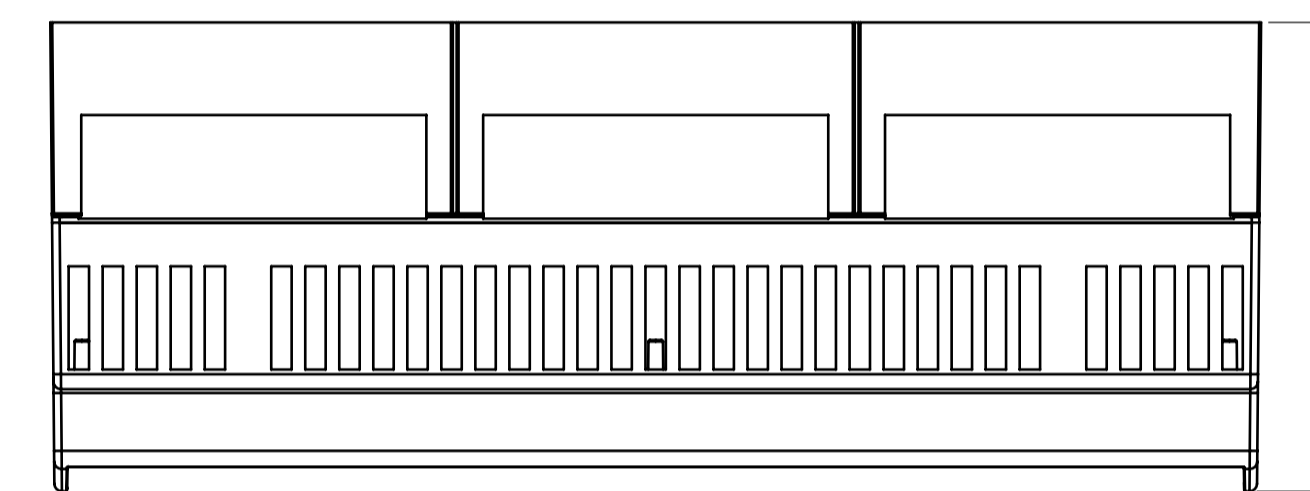
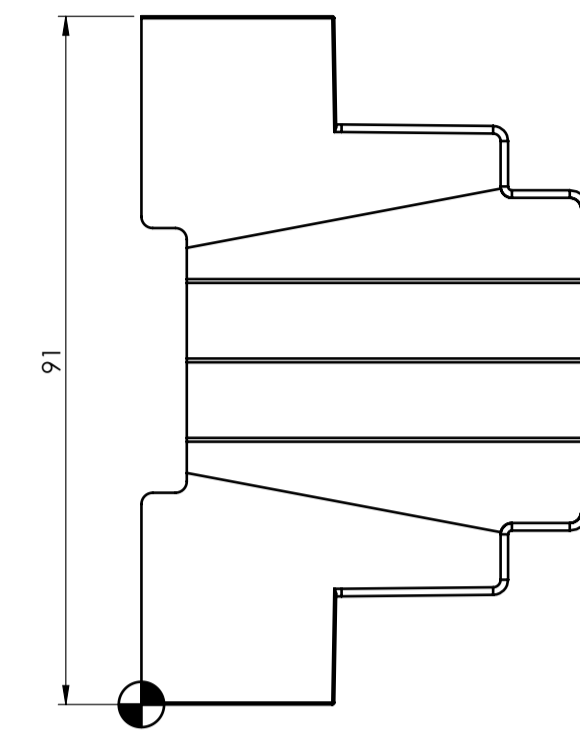
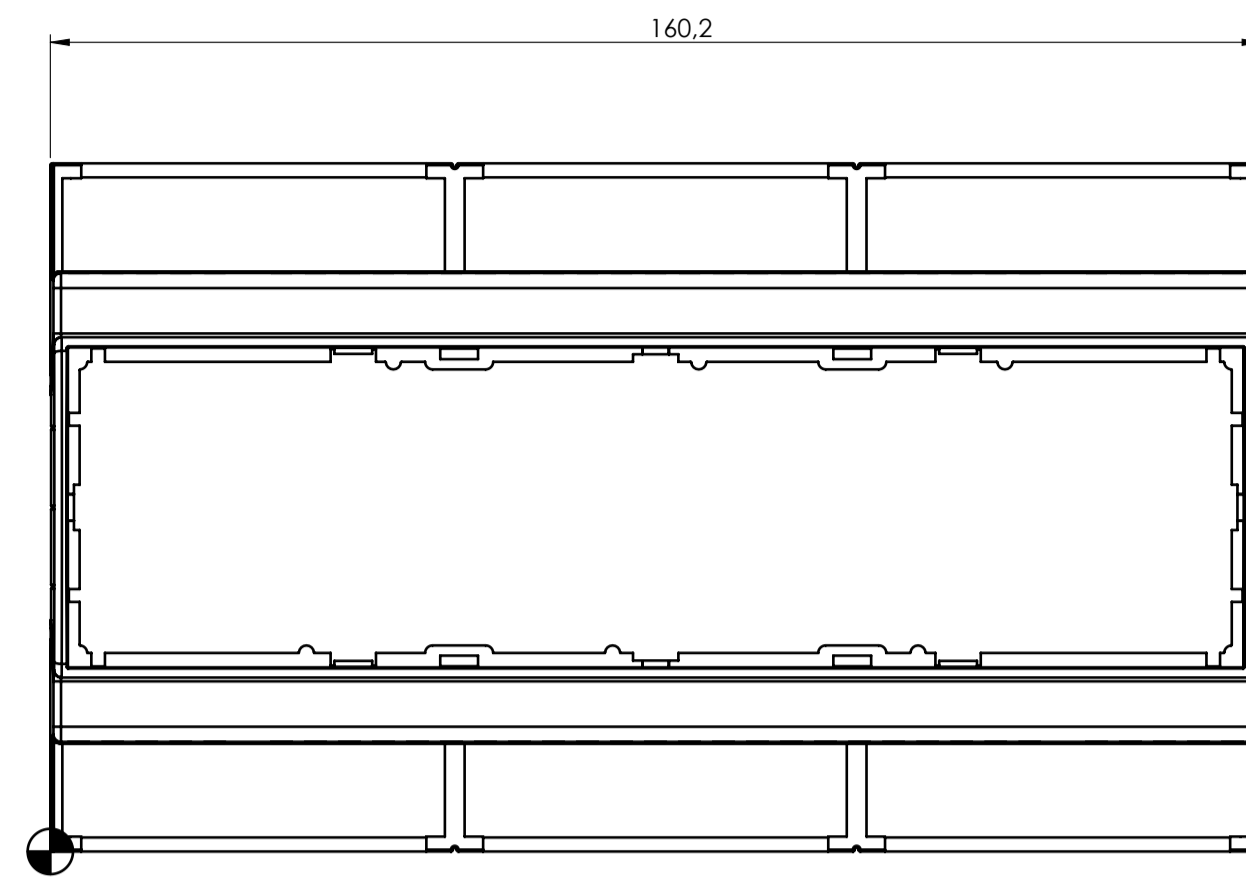
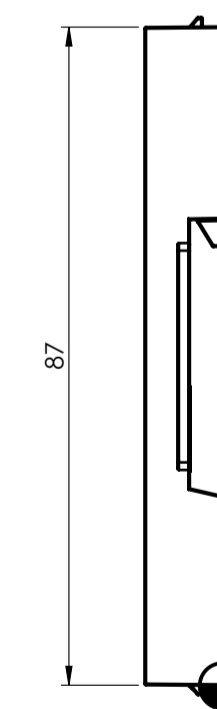
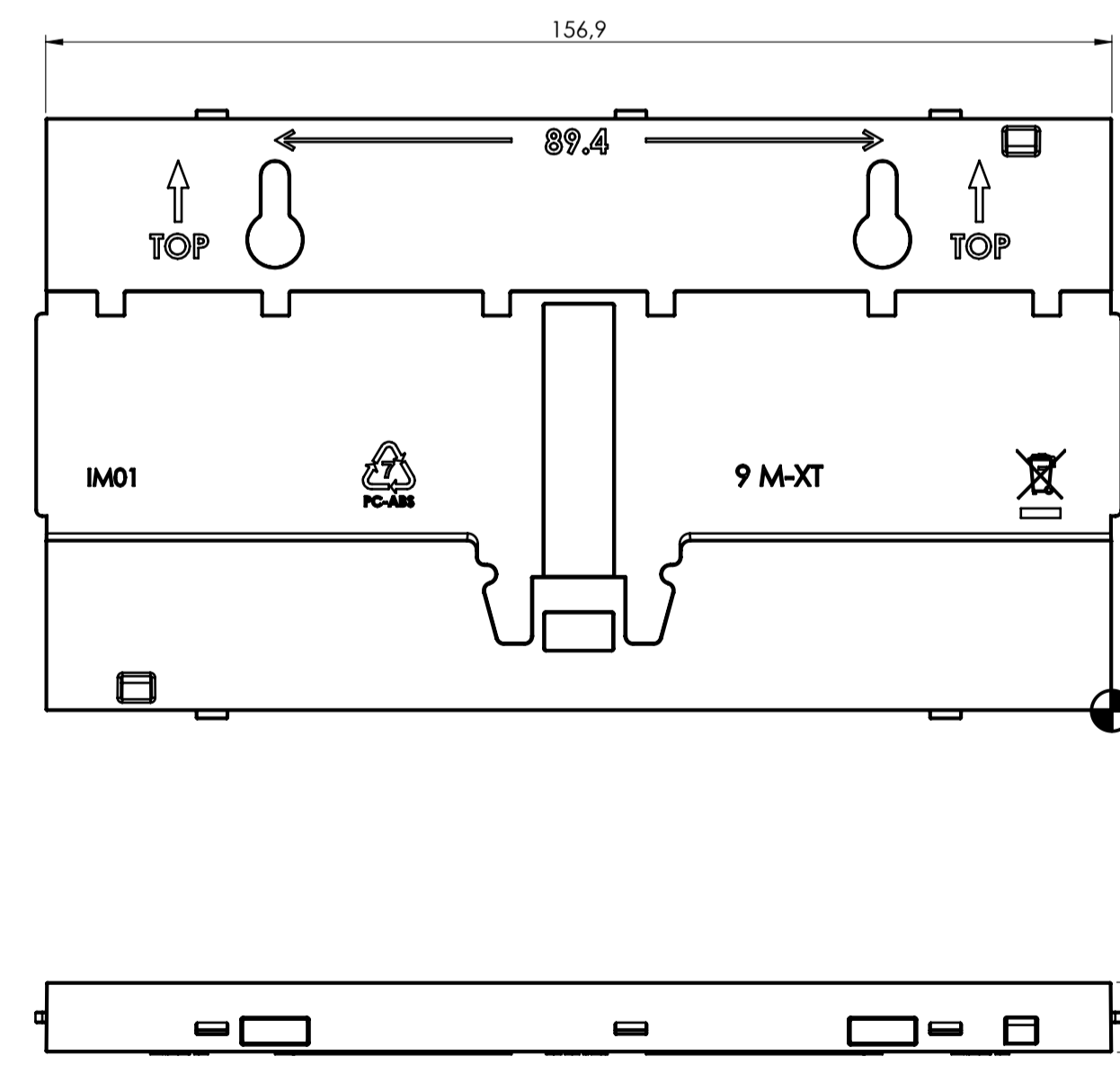


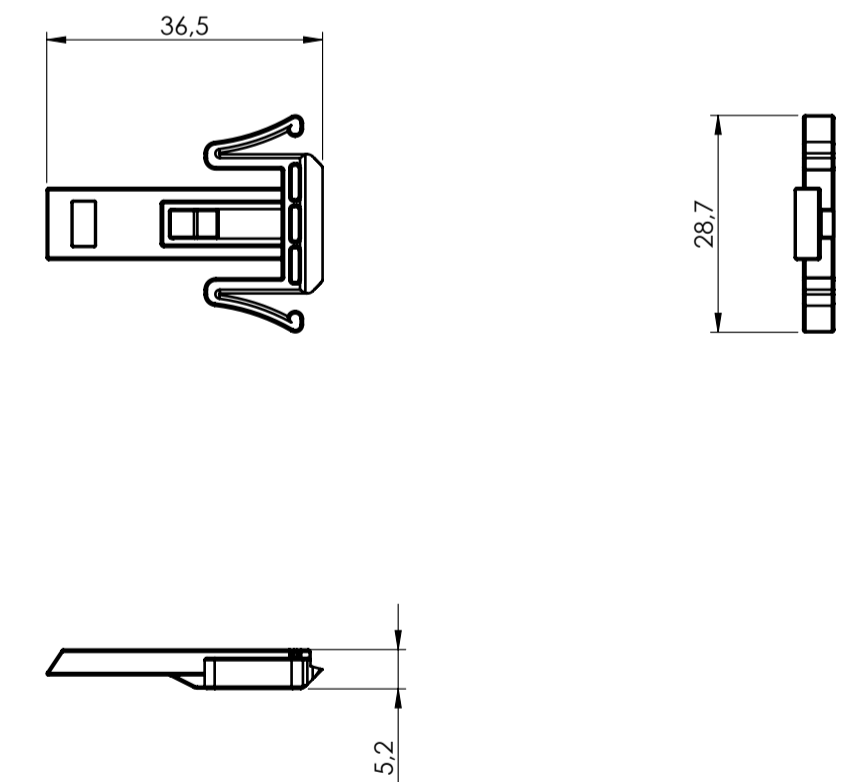
BODY ENCLOSURE



BASE



HOOK



General information:  
 ● Workpiece zero point for mechanical processing  
 - Minimum recommended radius for machining = R1.0 mm  
 - Mounting rail like EN 60715: TH 35-7.5 or TH 35-15  
 - Recommended PCB outline on [www.italtronic.com](http://www.italtronic.com)

RIF.	Q.TY	DRAWING	DESCRIPTION
1	1	2_250_00086	BASE 9M MODULBOX XT-XTS
2	1	2_250_00072	HOOK FOR MODULBOX XT-XTS
3	1	2_250_03699	BODY ENCLOSURE MODULBOX XTS 9MH53V-A

Dimension in mm	from 0.5 to 3	from 3 to 6	from 6 to 30	from 30 to 120	from 120 to 400	Sheet
General Tolerance (UNE EN 22768/1) Medio [H]	±0.1	±0.1	±0.2	±0.3	±0.5	1

Scale:	Drawn:	Checked:	Date:	Material:	Process:
1:1		R.N.	18/05/2023		

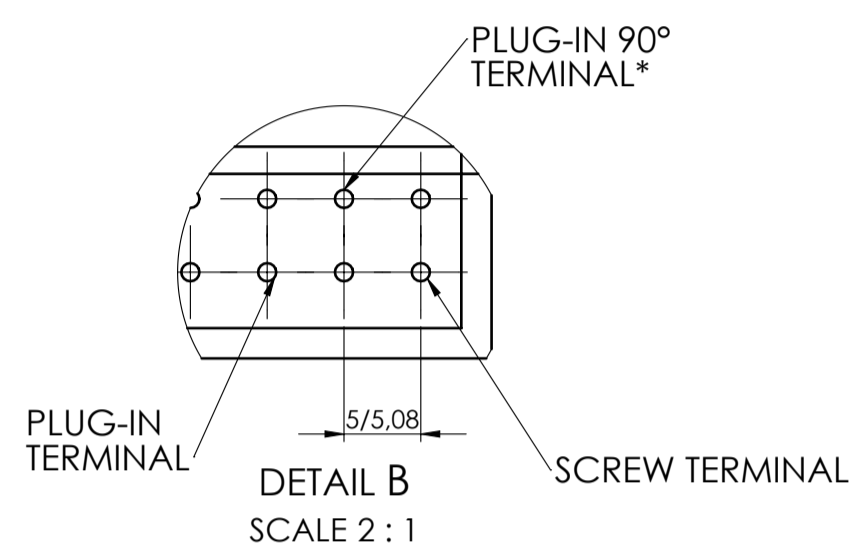
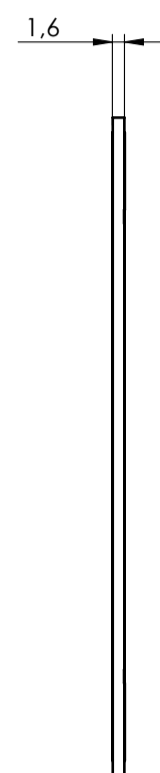
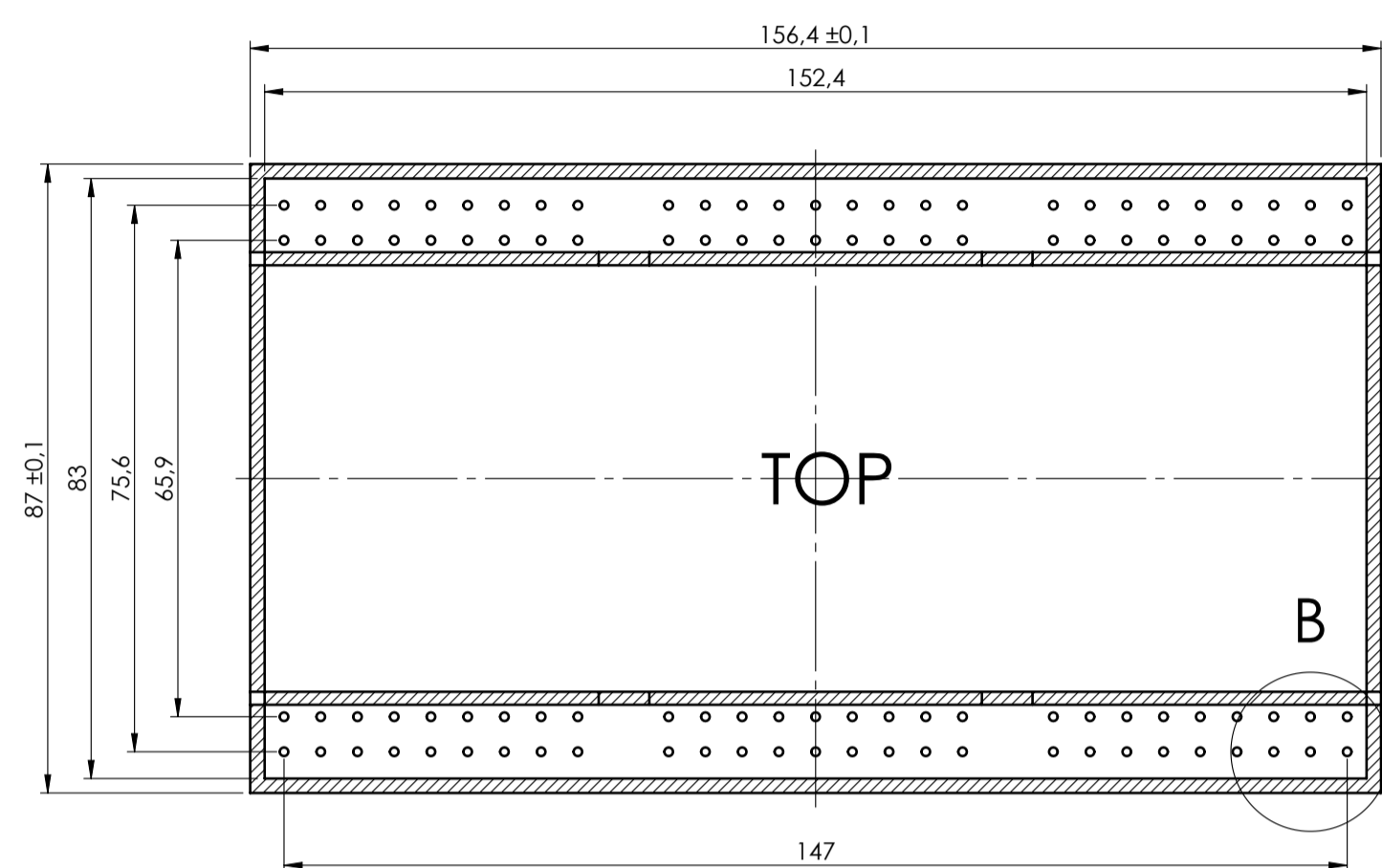
Replaces the:	Derived from:	Weight:	Cod. Mod:
	M-04131-01	gr	--

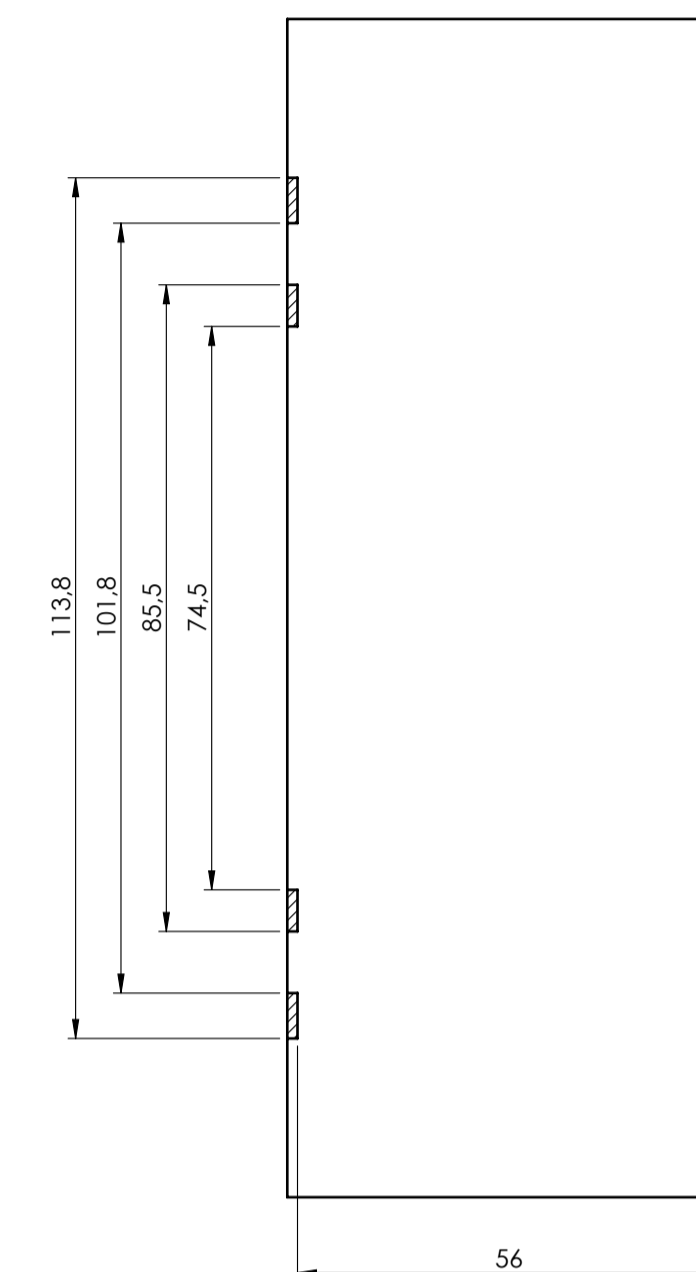
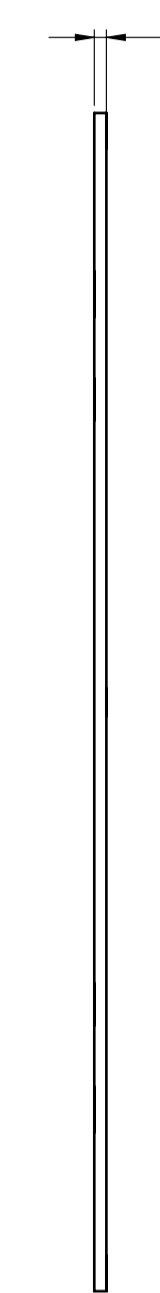
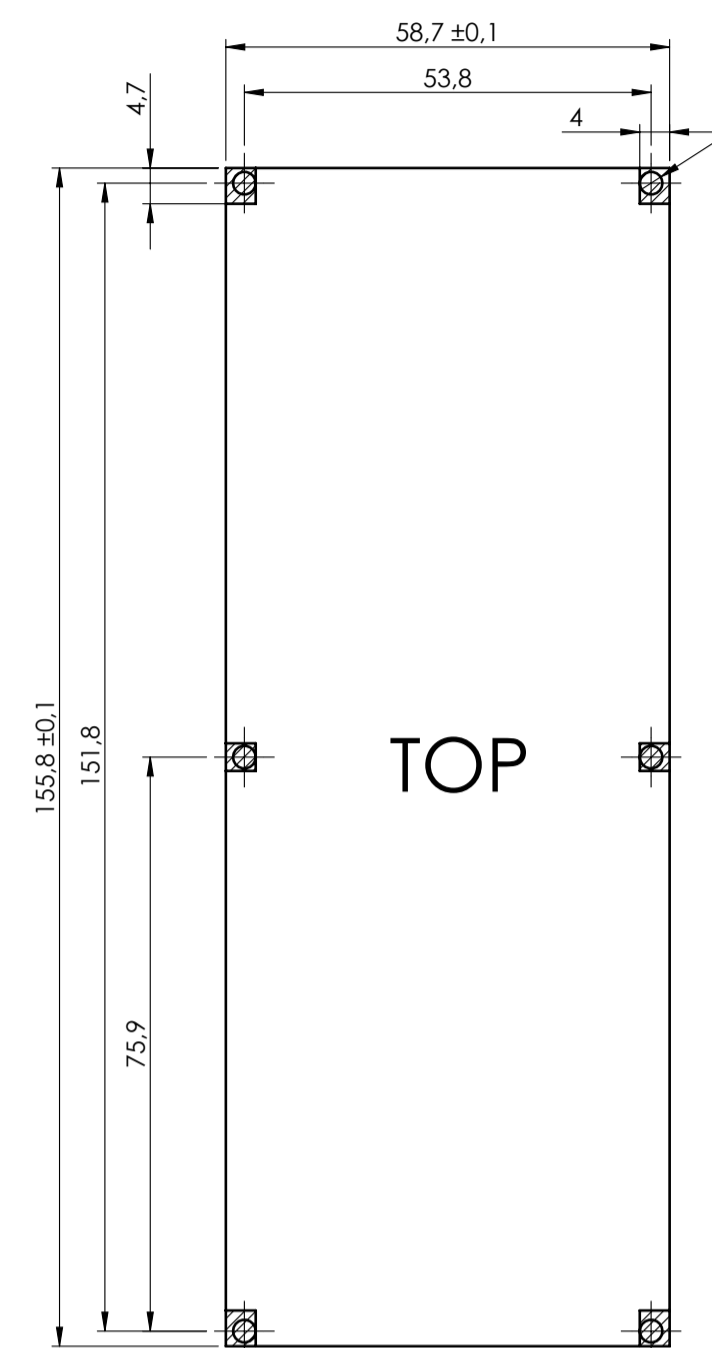
Description:	Rev.:
KIT CONTENITORE MODULBOX XTS 9MH53V-A VENTILATO KIT ENCLOSURE MODULBOX XTS 9MH53V-A WITH VENTS	
italtronic enclosures for electronics <a href="http://italtronic.com">italtronic.com</a>	3_250_00118

PCB A

Max height of the terminal:  
Modulbox XT/XTS: 18.5 mm  
Modulbox ONE: 20 mm

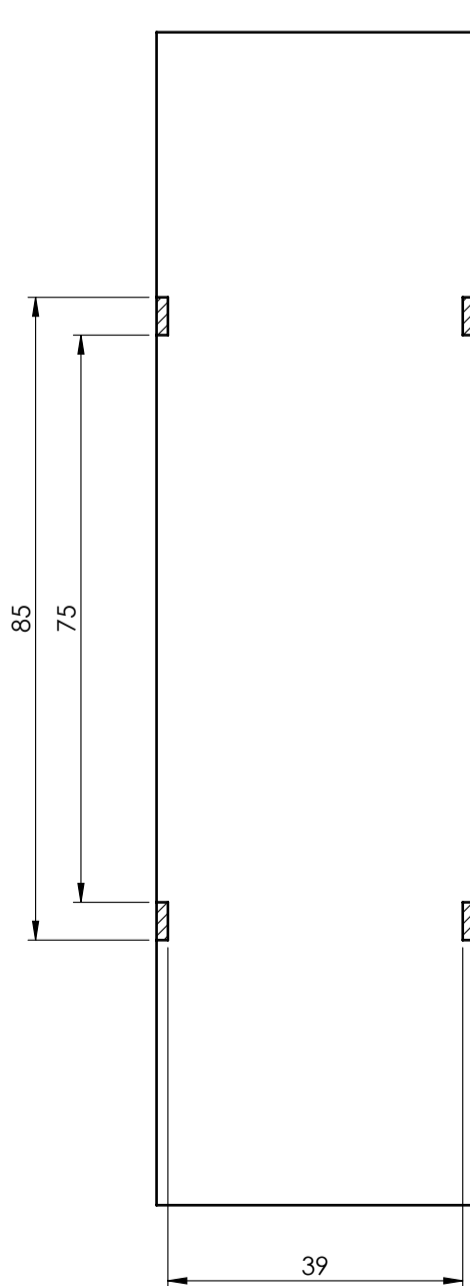
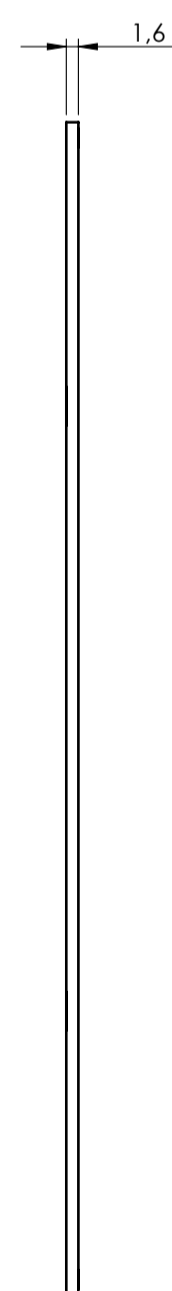
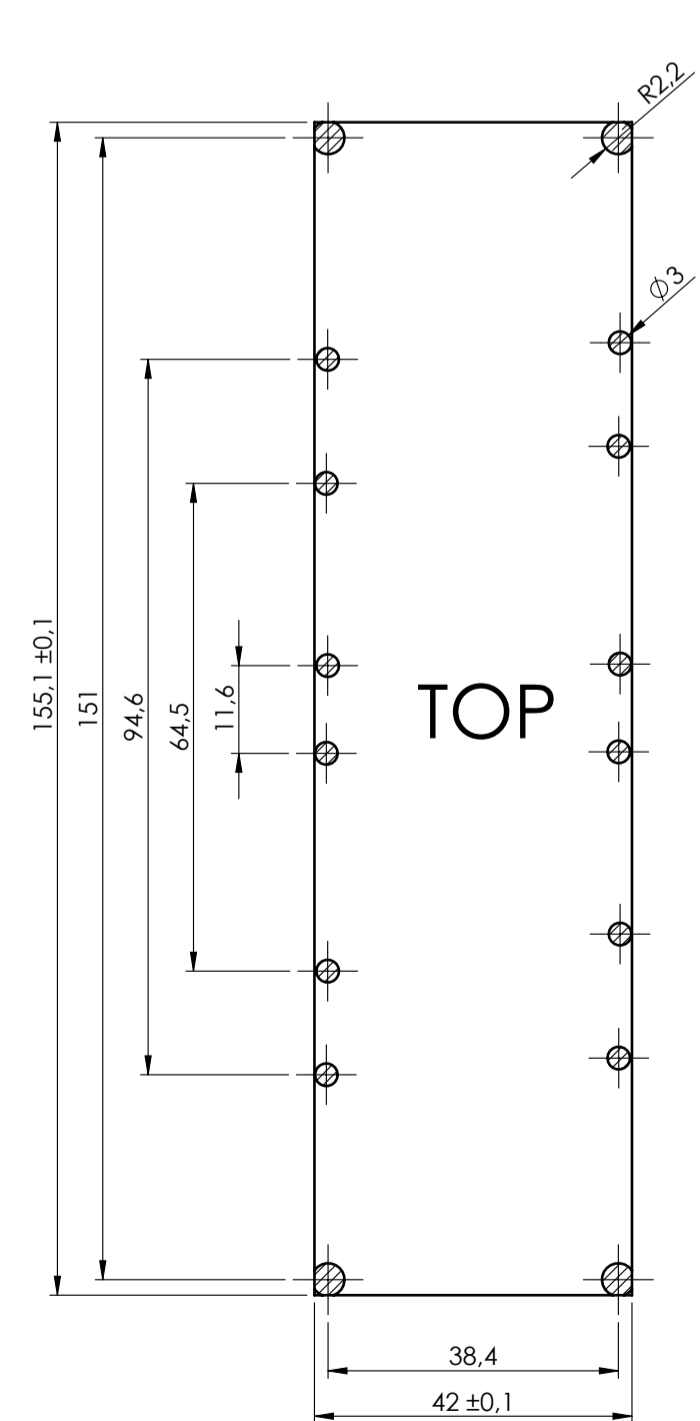


PCB B

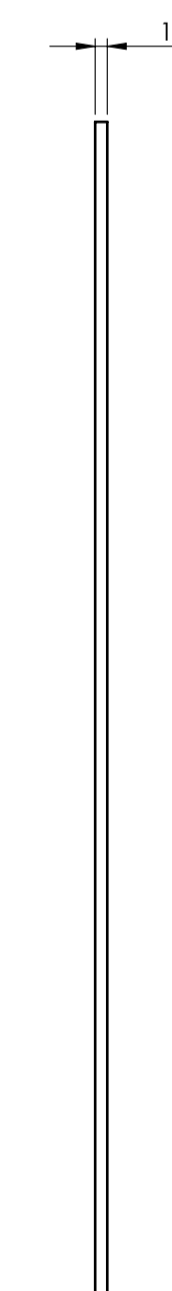
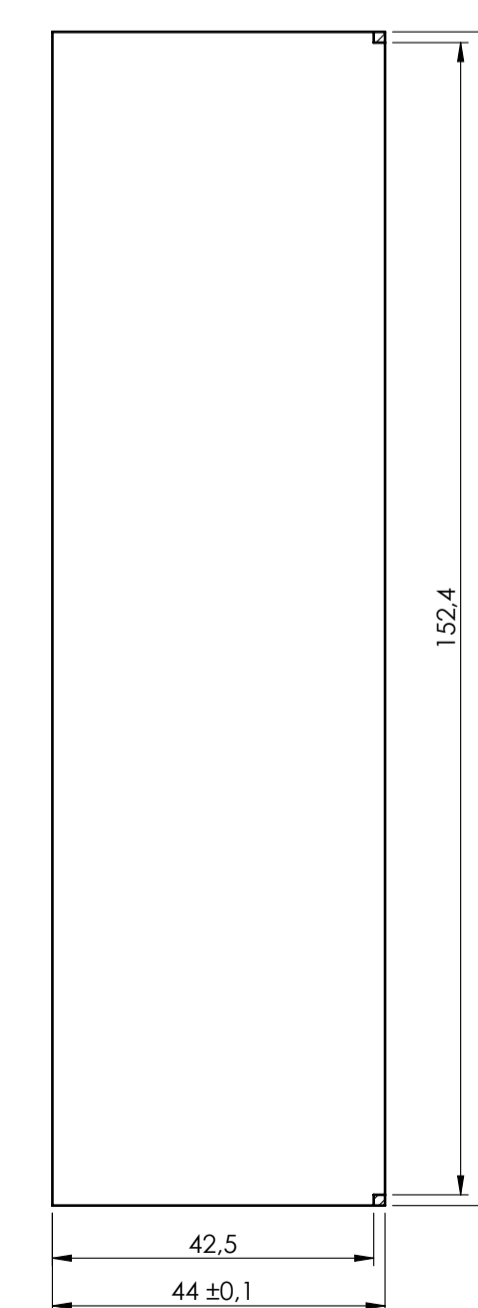


\*To use the PLUG-IN terminals in Modulbox ONE use plug-in adapter P05000003E (5/5.08 pitch) and P05000004E (7.5/7.62 pitch)

PCB C



PCB V2



General Tolerance UNE EN 22768/1 Medio (m)				Sheet:	
from 0.5 to 3 ± 0.1	from 3 to 6 ± 0.1	from 6 to 30 ± 0.2	from 30 to 120 ± 0.3	from 120 to 400 ± 0.5	PCB
Scale:	Drawn:	Checked:	Date:	Material:	Process:
1:1		R.N.	18/05/2023		
Dimension in mm	The owner reserves the right to modify the product without notice. The information is provided for reference only. It is not intended to be used as a substitute for the original drawing.		Derived from:	Weight:	Cod. Mod:
				gr	--
			Description:		
			KIT CONTENITORE MODULBOX XTS 9MHS3V-A VENTILATO		
			KIT ENCLOSURE MODULBOX XTS 9MHS3V-A WITH VENTS		
			Drawing nr:		
			3_250_00118		
			Rev.:		
			-		
			A1		

NO COMPONENTS AREA



enclosures for electronics  
3\_250\_00118