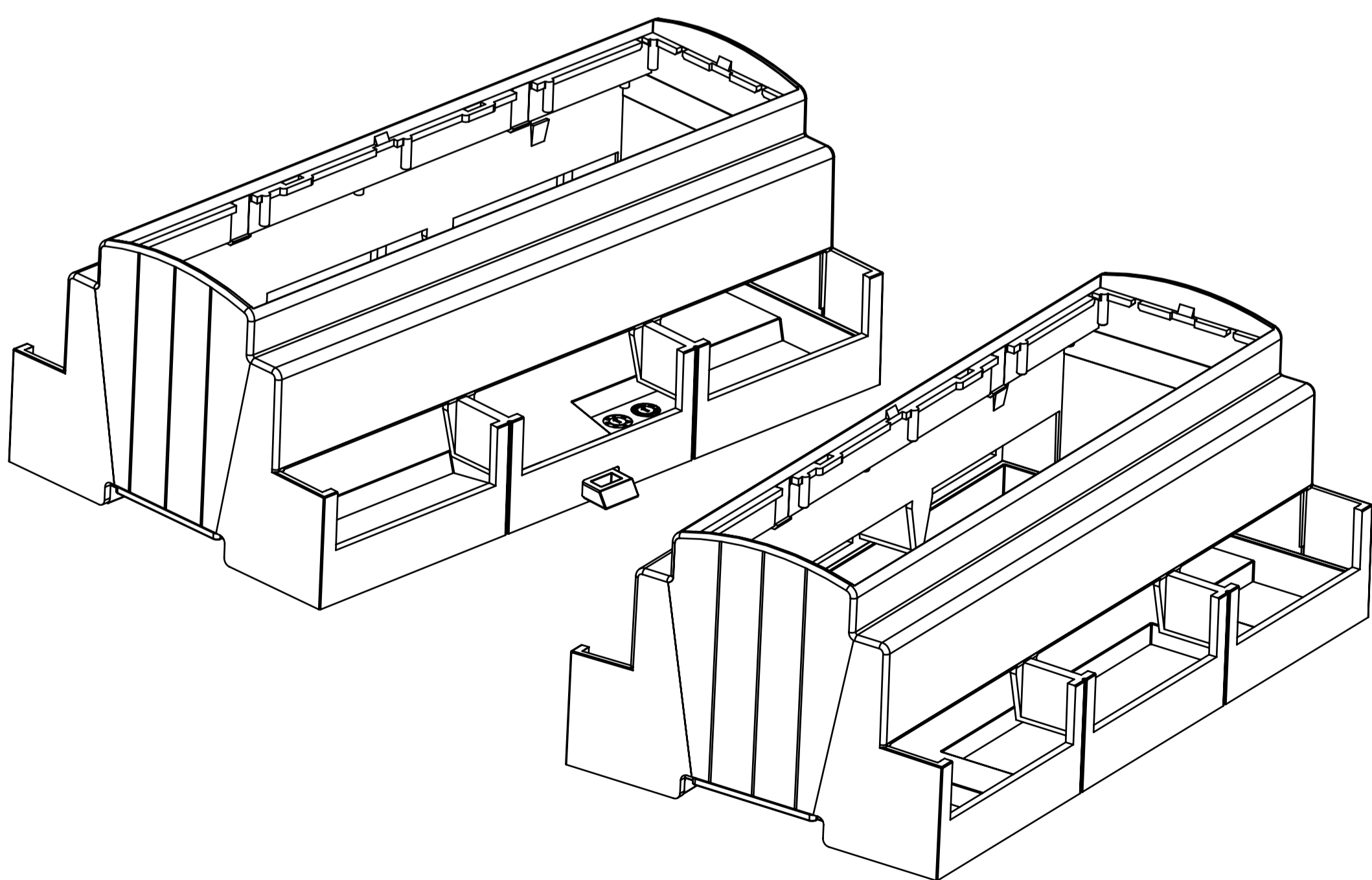
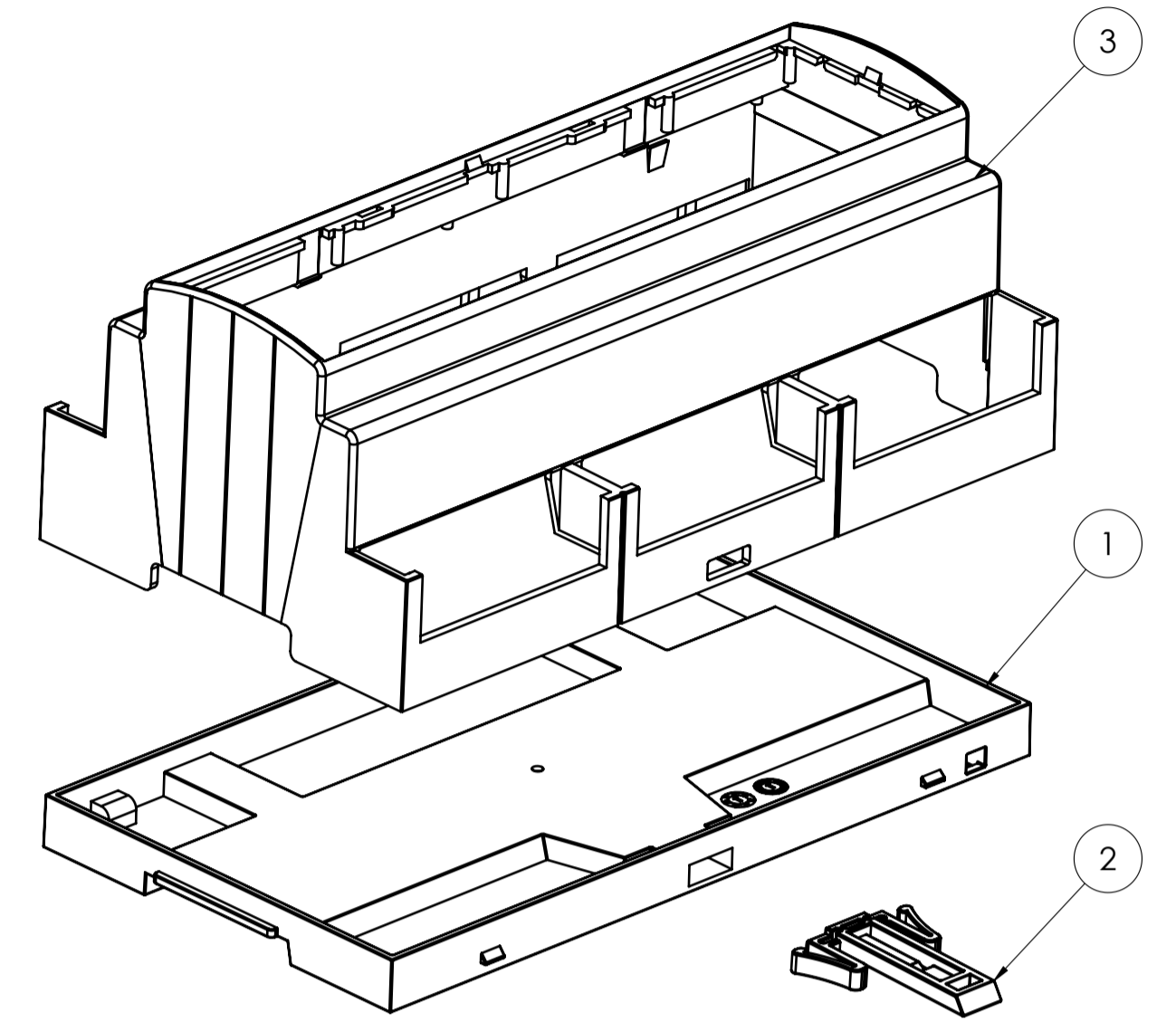
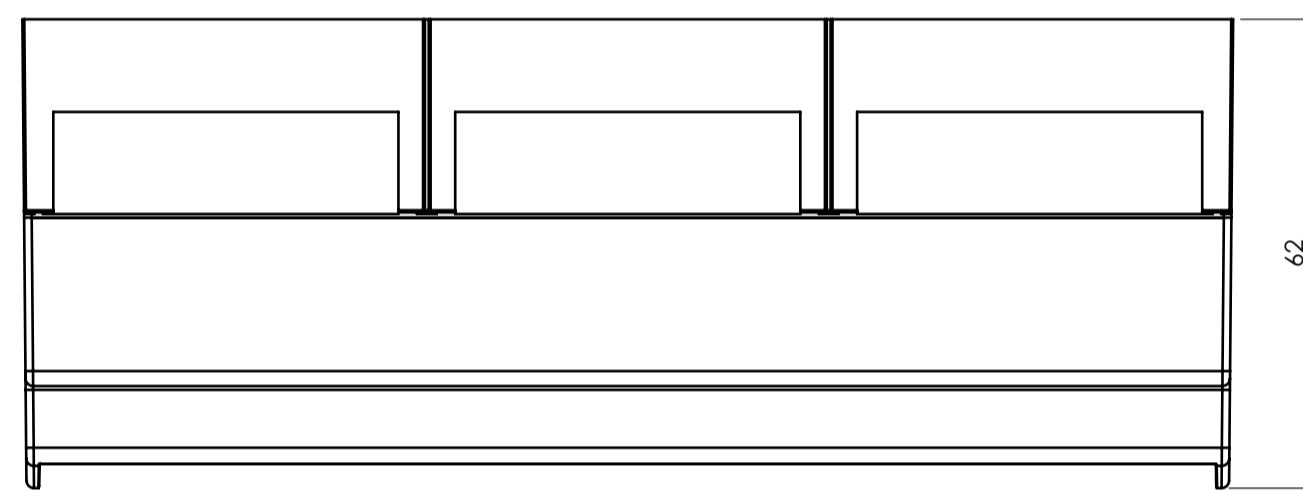
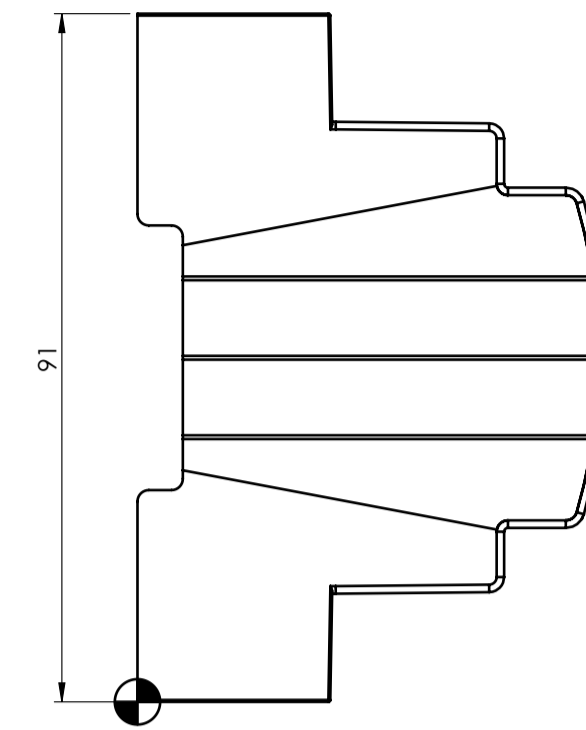
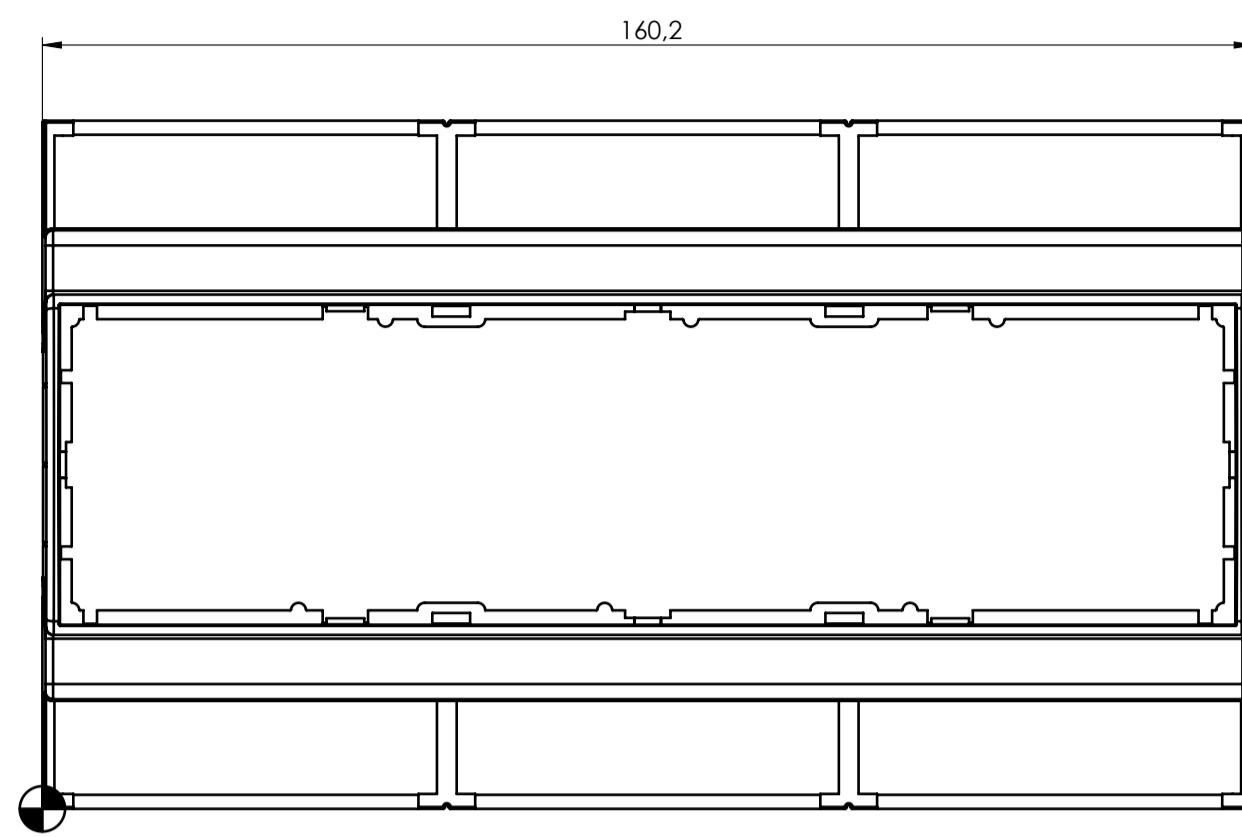
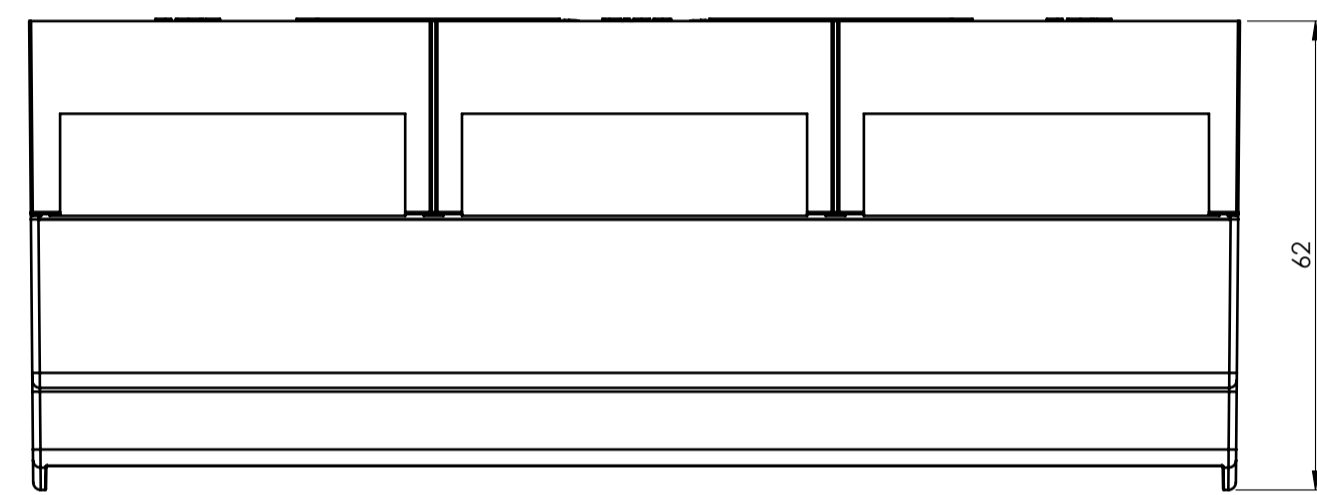
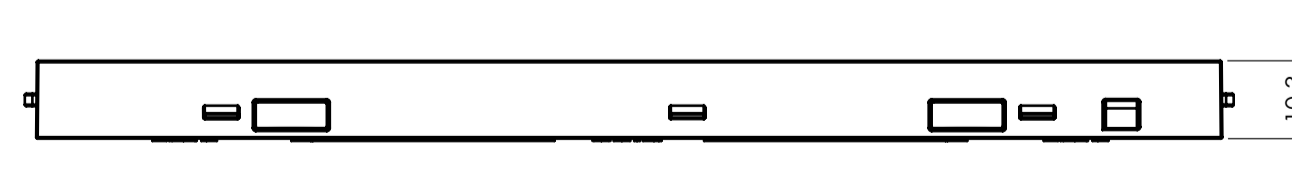
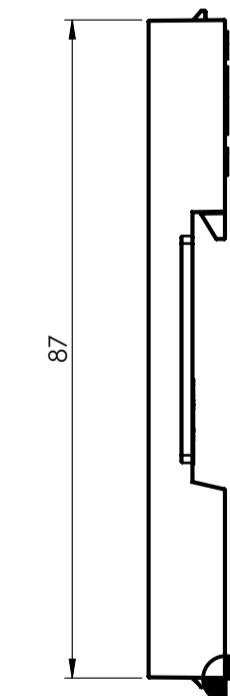
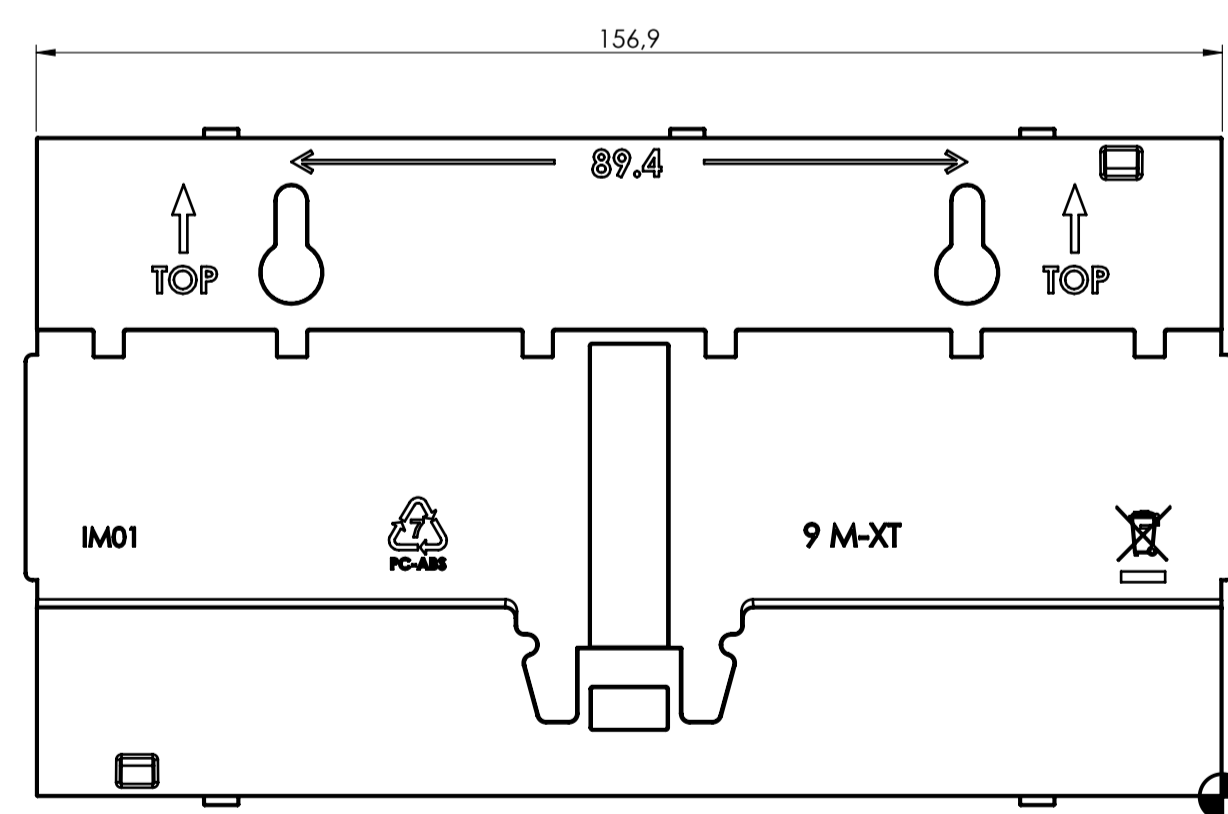


SECTION A-A

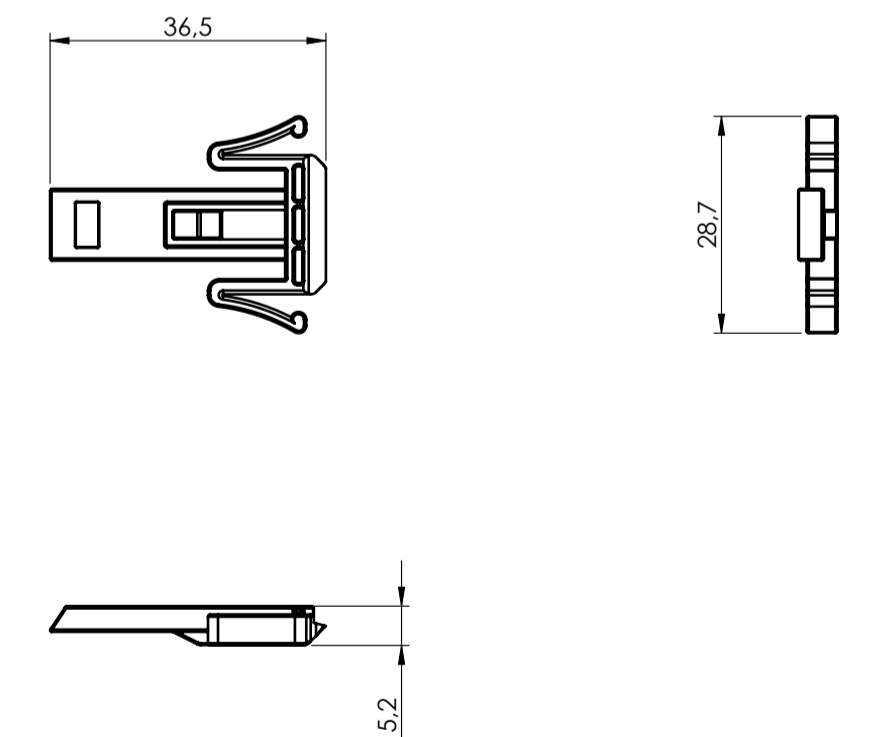


BODY ENCLOSURE

BASE



HOOK



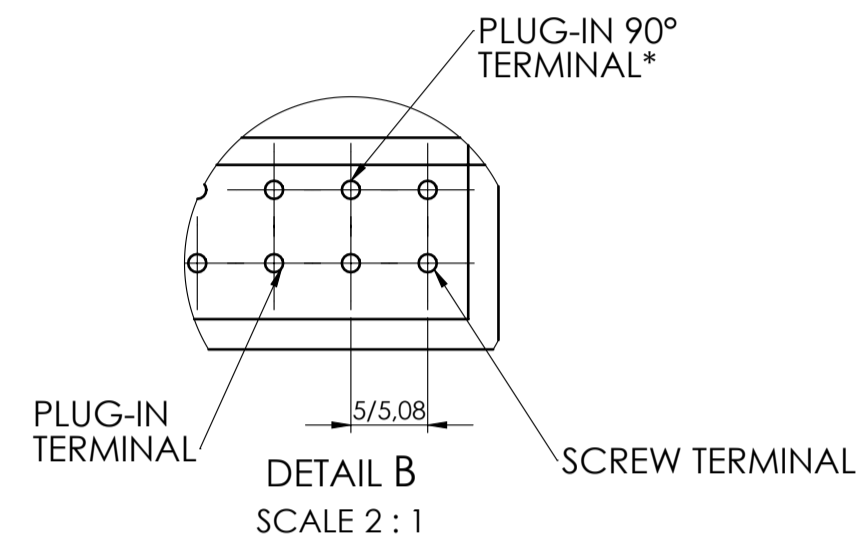
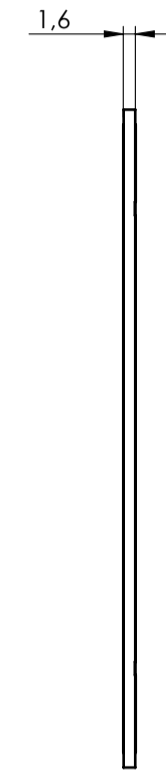
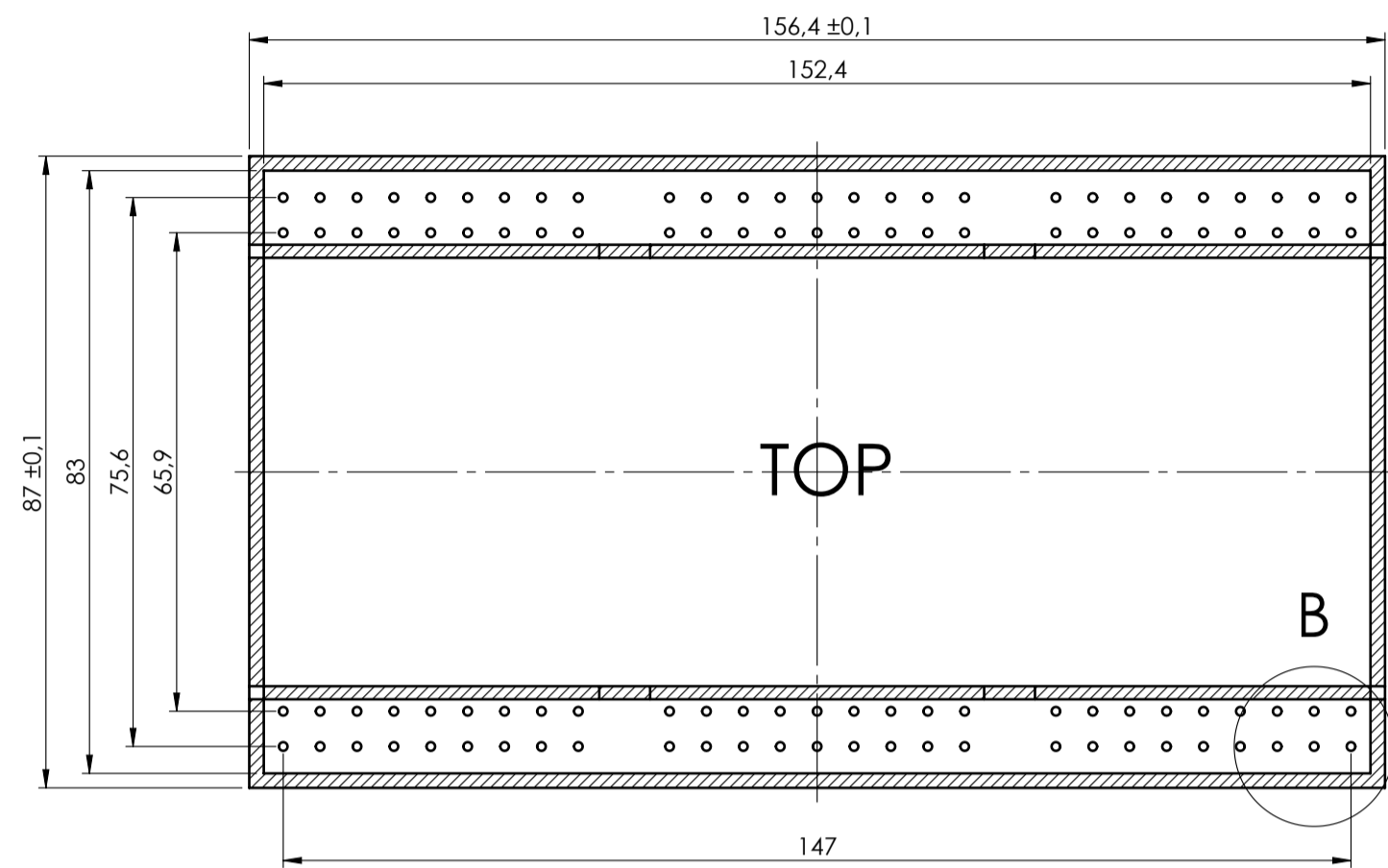
General information:
 - Workpiece zero point for mechanical processing
 - Minimum recommended radius for machining = R1.0 mm
 - Mounting rail like EN 60715; TH 35-7.5 or TH 35-15
 - Recommended PCB outline on www.italtronic.com

| RIF. | Q.TY | DRAWING | DESCRIPTION |
|------|------|-------------|----------------------------|
| 1 | 1 | 2_250_00086 | BASE 9M MODULBOX XT-XTS |
| 2 | 1 | 2_250_00072 | HOOK FOR MODULBOX XT-XTS |
| 3 | 1 | 2_250_03681 | BODY ENCLOSURE XTS 9MH53-A |

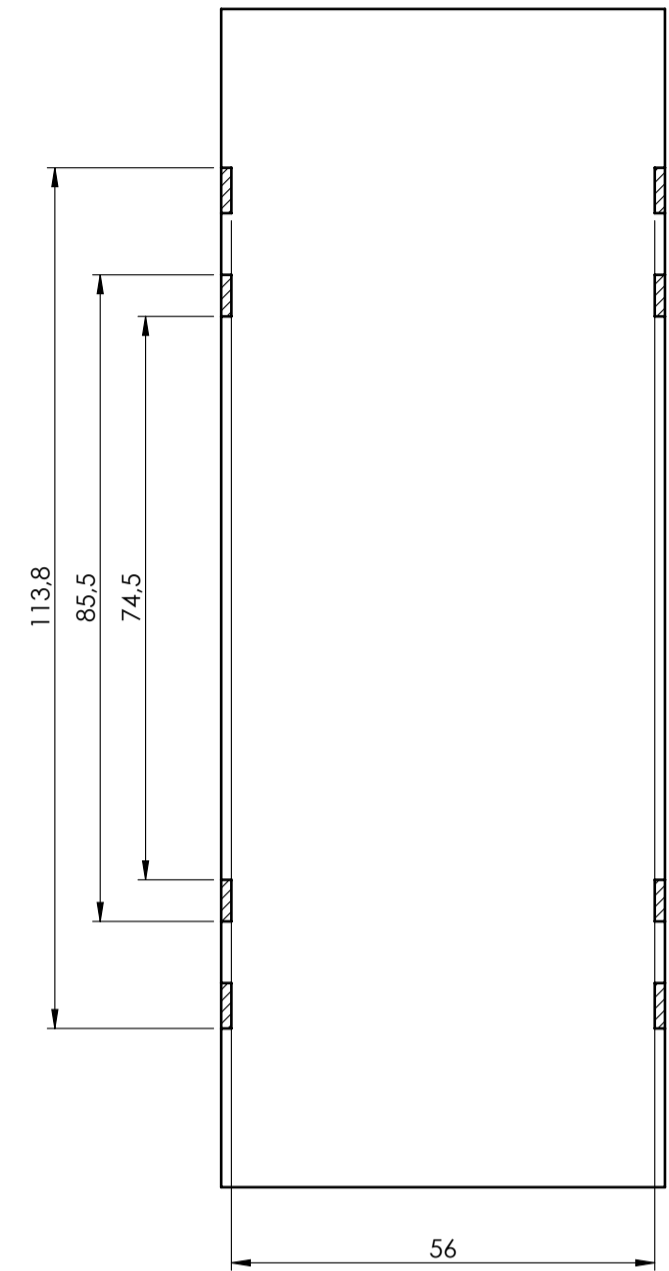
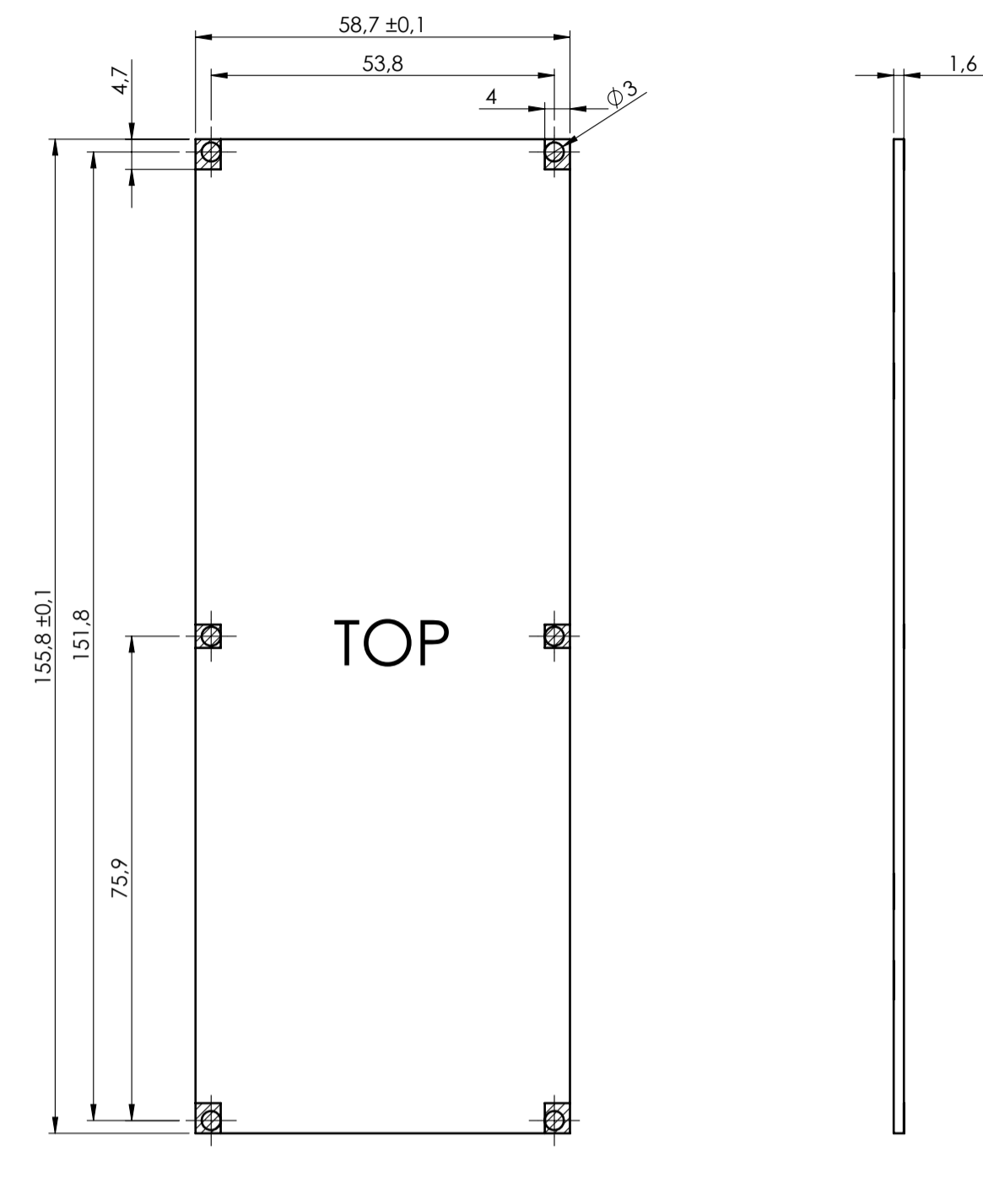
| | | | | |
|--|---------------|---|----------------|-----------------|
| General Tolerances (UNE EN 22768/1 Medio Pm) | | | | Sheet: |
| from 0.5 to 3 | from 3 to 6 | from 6 to 30 | from 30 to 120 | from 120 to 400 |
| ±0.1 | ±0.1 | ±0.2 | ±0.3 | ±0.5 |
| Scale: | Drawn: | Checked: | Date: | Material: |
| 1:1 | | R.N. | 05/05/2023 | |
| Dimension in mm | Derived from: | | Weight: | Cod. Mold: |
| | | | gr | -- |
| enclosures for electronics italtronic.com | | Description: KIT CONTENITORE MODULBOX XTS 9MH53-A KIT ENCLOSURE MODULBOX XTS 9MH53-A Drawing n°: | | Rev.: |
| | | 3_250_00109 | | 1 |
| | | | | A1 |

PCB A

Max height of the terminal:
Modulbox XT/XTS: 18.5 mm
Modulbox ONE: 20 mm

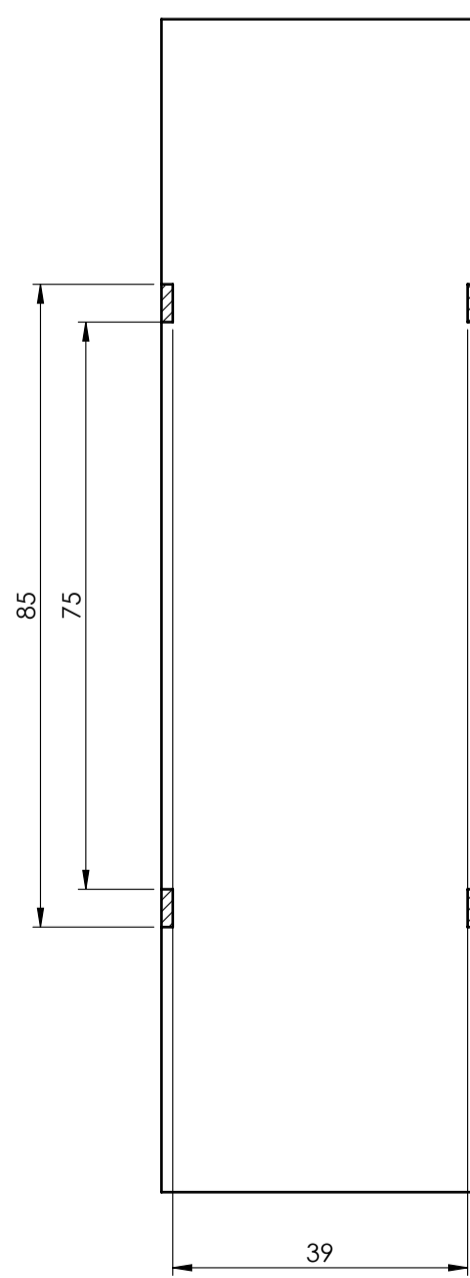
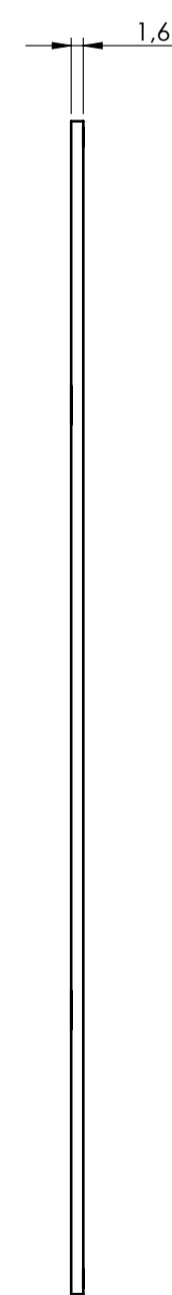
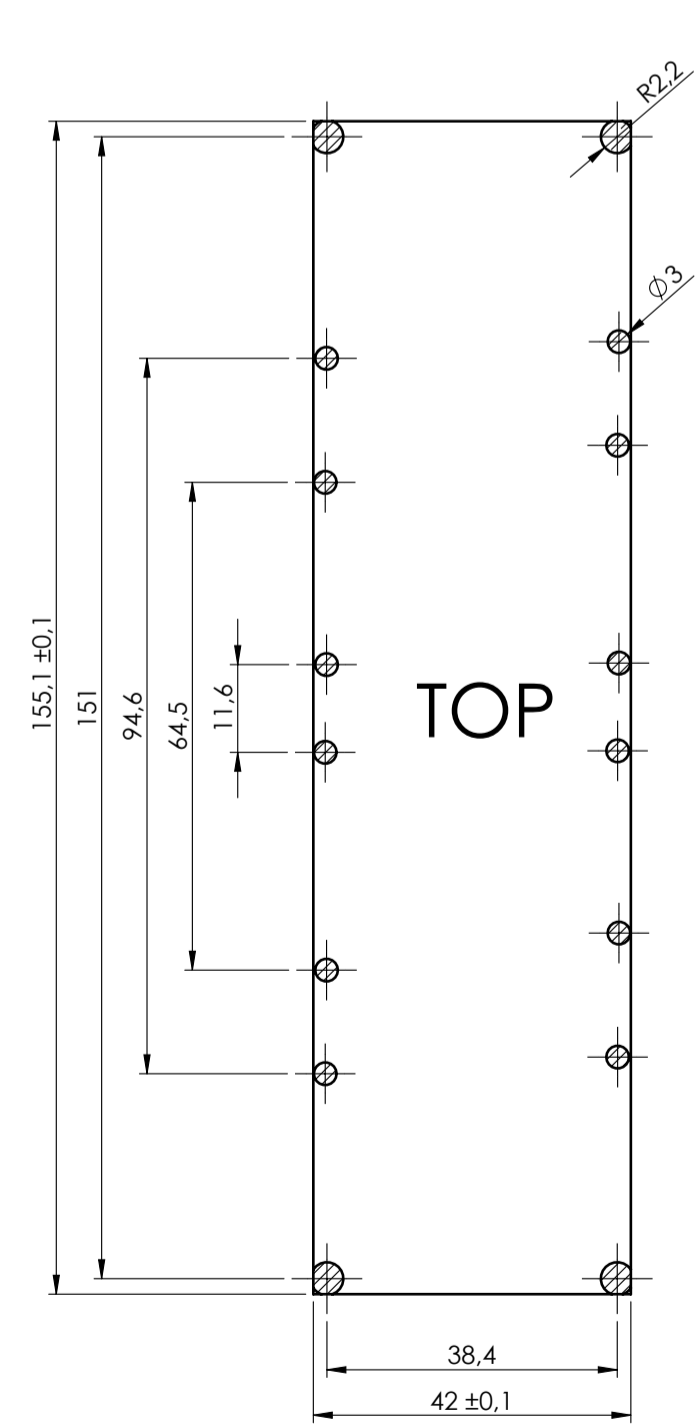


PCB B

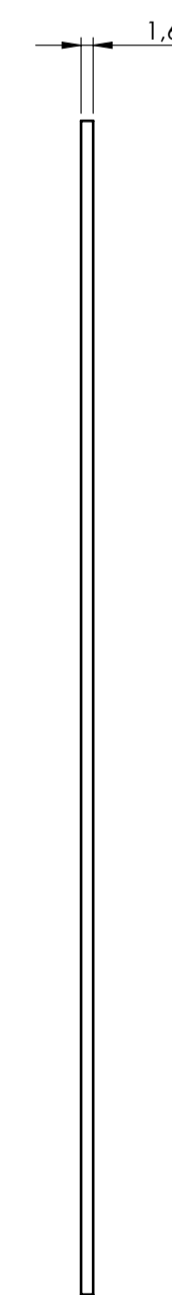
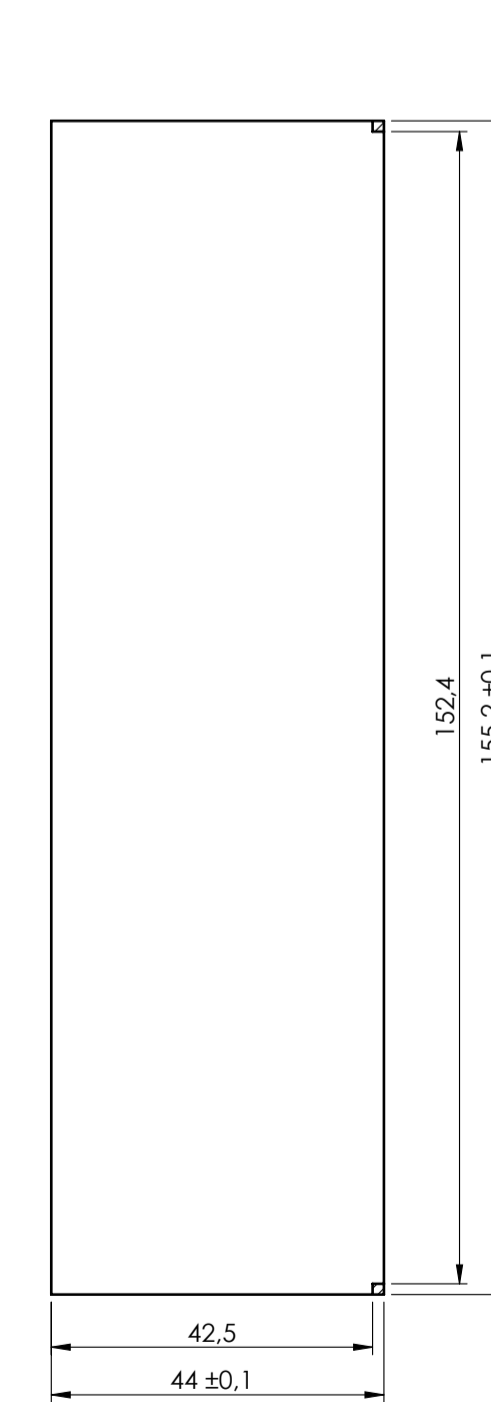


*To use the PLUG-IN terminals in Modulbox ONE use plug-in adapter P05000003E (5/5.08 pitch) and P05000004E (7.5/7.62 pitch)

PCB C



PCB V2



| | | | | | |
|--|--|-----------------------|-------------------------|--------------------------|----------|
| General Tolerance UNE EN 22768/1 Media (m) | | | | Sheet: | |
| from 0.5 to 3 ± 0.1 | from 3 to 6 ± 0.1 | from 6 to 30 ± 0.2 | from 30 to 120 ± 0.3 | from 120 to 400 ± 0.5 | PCB |
| Scale: | Drawn: | Checked: | Date: | Material: | Process: |
| 1:1 | | R.N. | 05/05/2023 | | |
| Dimension in mm | Description: | | Weight: | Cod. Mold: | |
| | KIT CONTENITORE MODULBOX XTS 9MH53-A KIT ENCLOSURE MODULBOX XTS 9MH53-A | | gr | - | |
| Italtironi enclosures for electronics italtironi.com | | Drawing n°: | 3_250_00109 | Rev.: | A1 |

NO COMPONENTS AREA