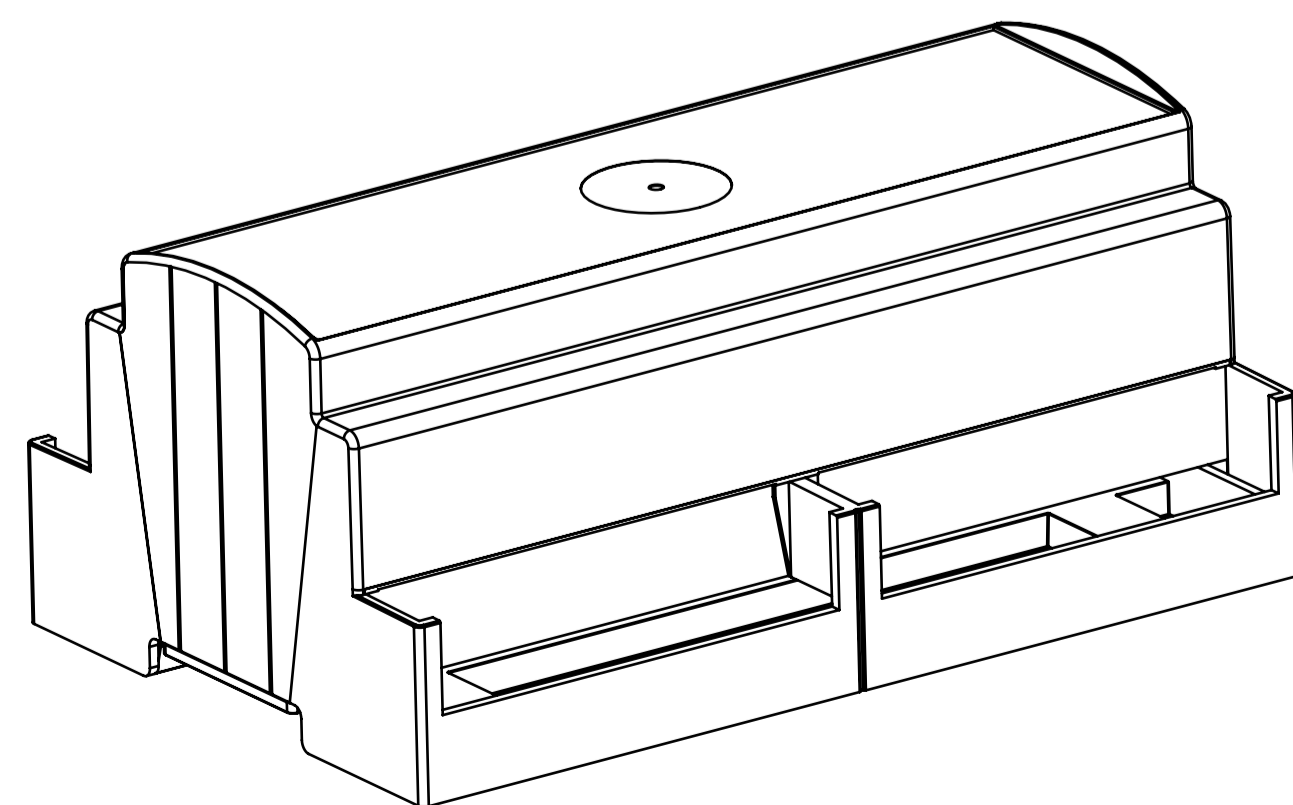
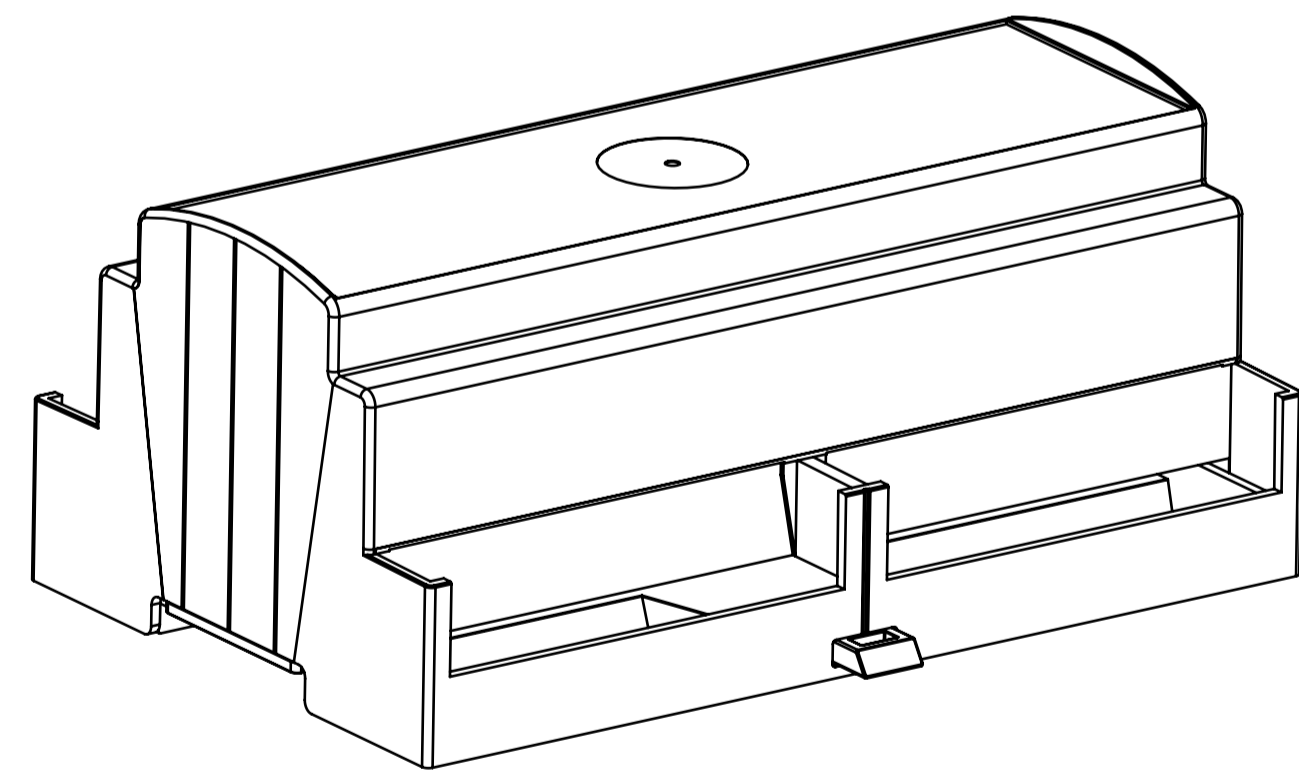
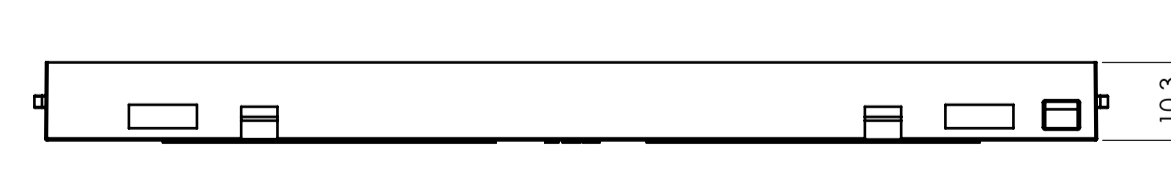
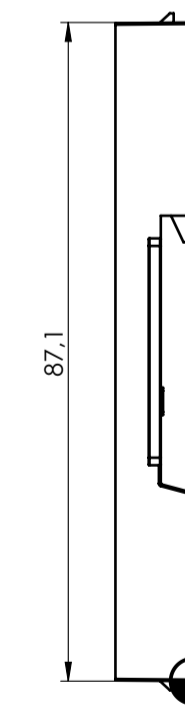
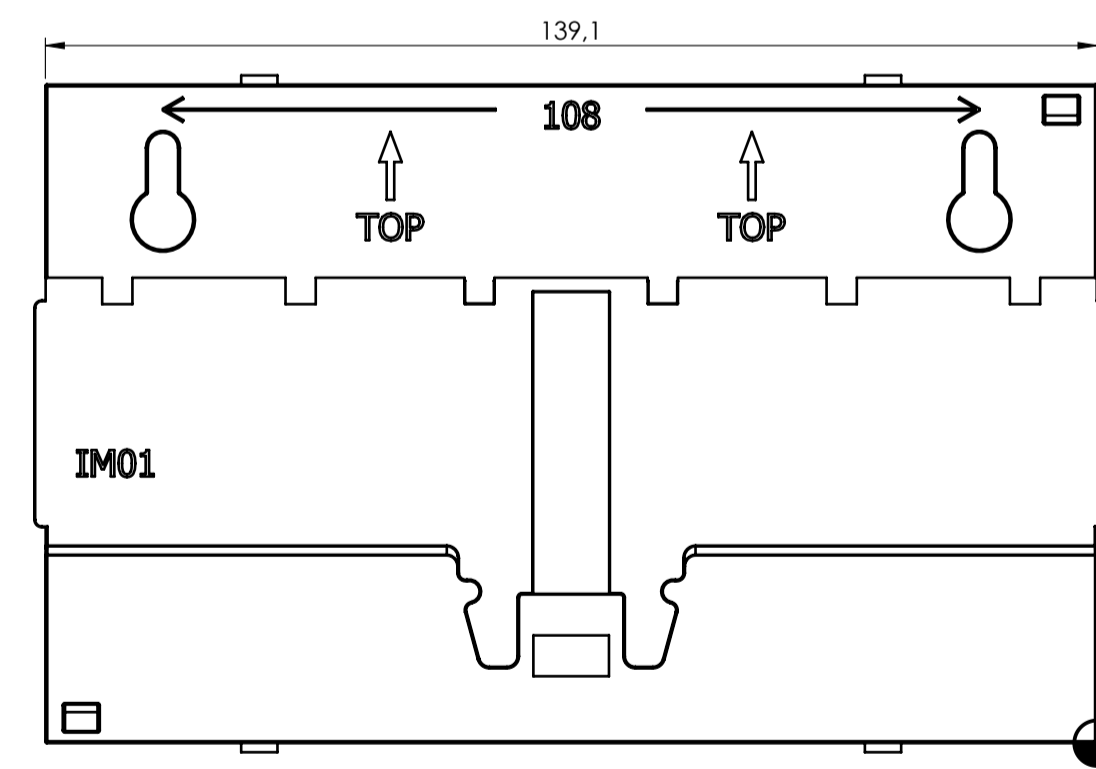


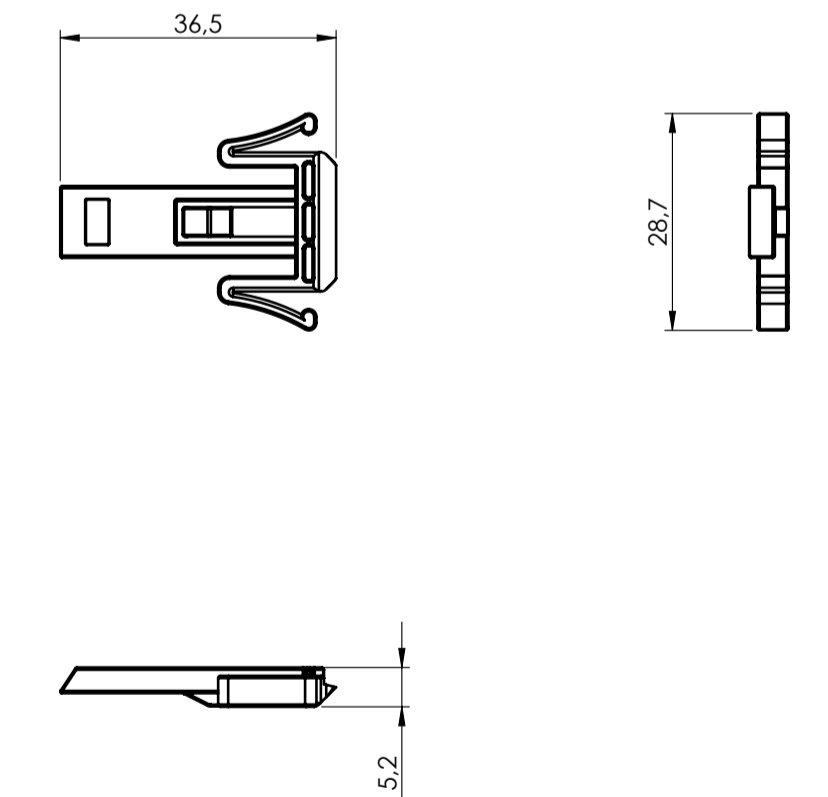
BODY ENCLOSURE



BASE



HOOK



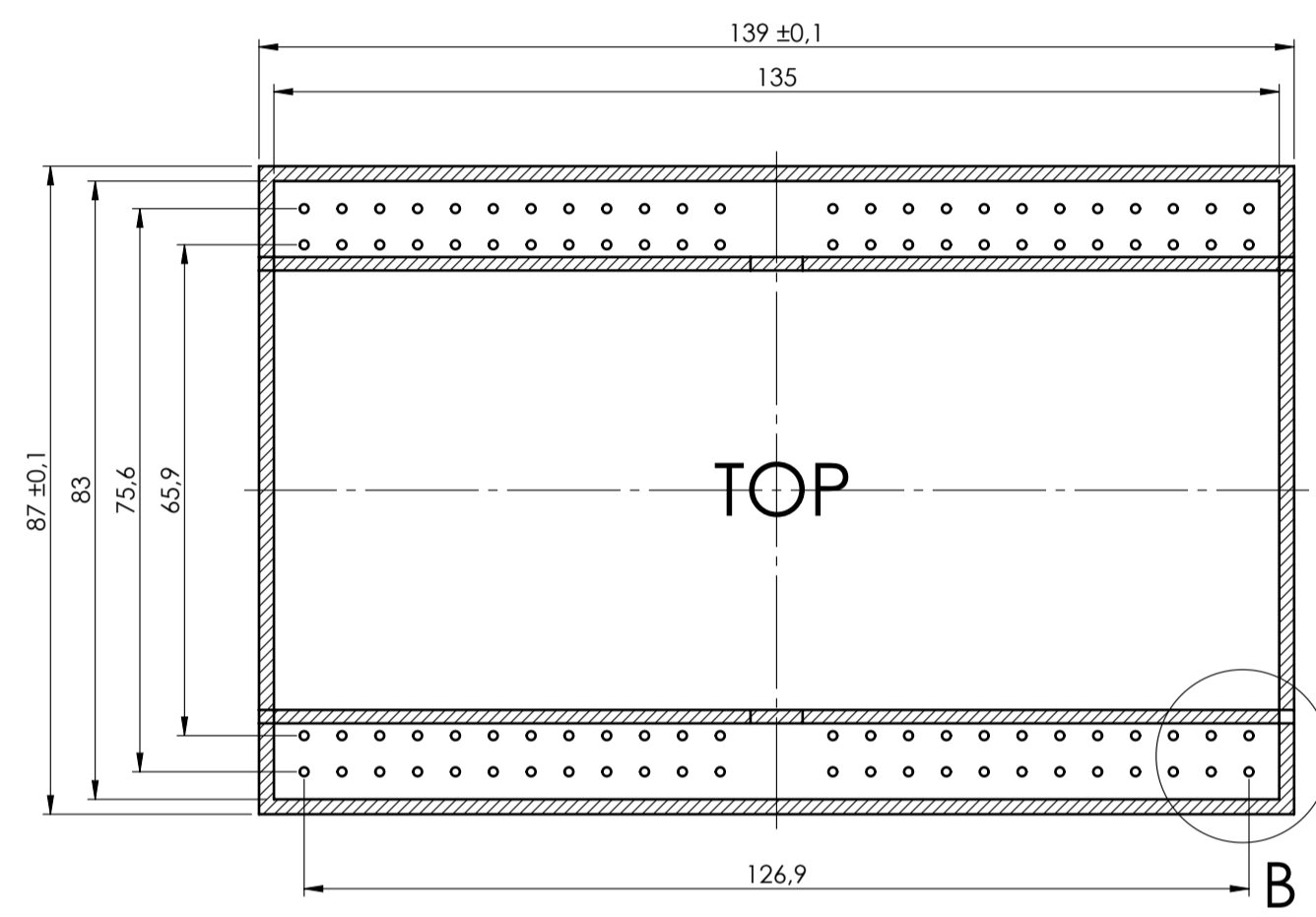
General information:
 - Workpiece zero point for mechanical processing
 - Minimum recommended radius for machining = R1.0 mm
 - Mounting rail like EN 60715: TH 35-7.5 or TH 35-15
 - Recommended PCB outline on www.italtronic.com

RIF.	Q.TY	DRAWING	DESCRIPTION
1	1	2_250_03649	BASE MODULBOX XT/XTS - 8M
2	1	2_250_00072	HOOK FOR MODULBOX XT-XTS
3	1	2_250_03664	BODY MODULBOX XTS BMC53-A CLOSED

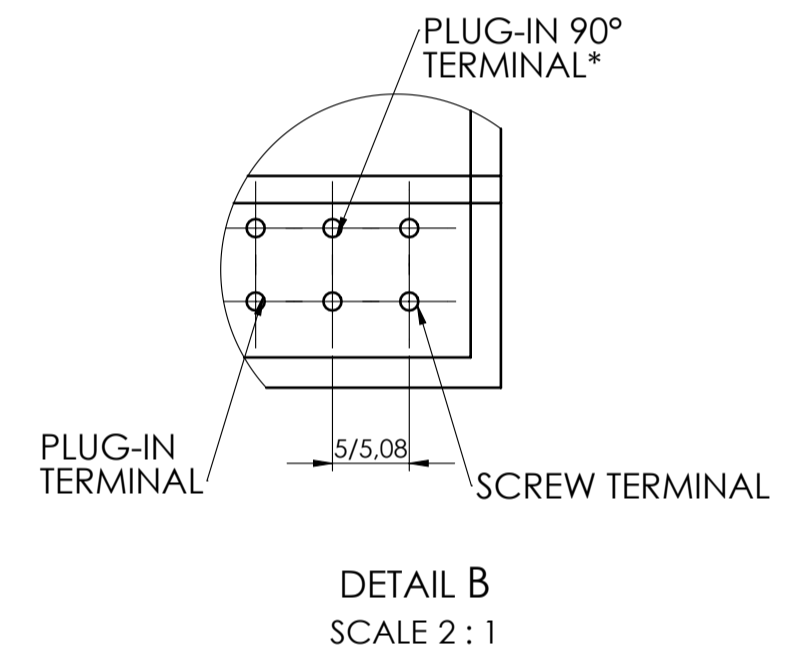
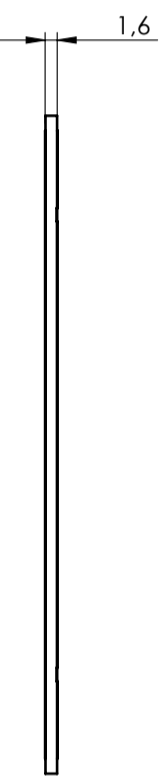
Dimension in mm	from 0.5 to 3	from 3 to 6	from 6 to 30	from 30 to 120	from 120 to 400	Sheet
General Tolerances (UNE EN 22768/1 Medio [mm])	±0.1	±0.1	±0.2	±0.3	±0.5	1
Scale:	1:1	Drawn:	Checked:	Date:	Material:	Process:
			R.N.	04/05/2023		
					Weight:	Cod. Mold:
					gr	--

Description:		Rev:	
KIT CONTENITORE MODULBOX XTS BMC53-A CHIUSO		00	
KIT ENCLOSURE MODULBOX XTS BMC53-A CLOSED		A1	
Drawing n°:		Rev:	
3_250_00101			
Drawing on:		Rev:	
italtronic.com			





PCB A



Max height of the terminal:
 Modulbox XT/XTS: 18.5 mm
 Modulbox ONE: 20 mm

**To use the PLUG-IN terminals in Modulbox ONE use plug-in adapter P05000003E (5/5.08 pitch) and P05000004E (7.5/7.62 pitch)*

General Tolerance IIR EN 22768/1 Media [m]				Sheet:	
from 0.5 to 3	from 3 to 6	from 6 to 30	from 30 to 120	from 120 to 400	PCB
±0.1	±0.1	±0.2	±0.3	±0.5	Process:
Scale:	Drawn:	Checked:	Date:	Material:	
1:1		R.N.	04/05/2023	Weight:	
Dimension in mm	Derived from:		Weight:	Cod. Mold:	
			gr	--	
Description:			Kit Contentore Modulbox XTS BMC53-A CHIUSO		
KIT ENCLOSURE MODULBOX XTS BMC53-A CLOSED			Drawing nr:		
3_250_00101			Rev:		
			00 A1		

NO COMPONENTS AREA



enclosures for electronics
 italtion.com