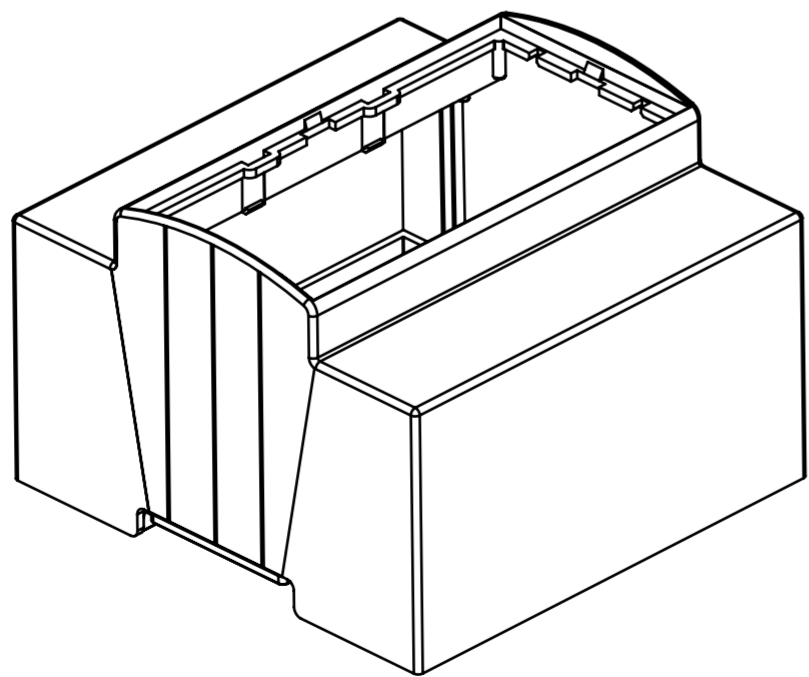
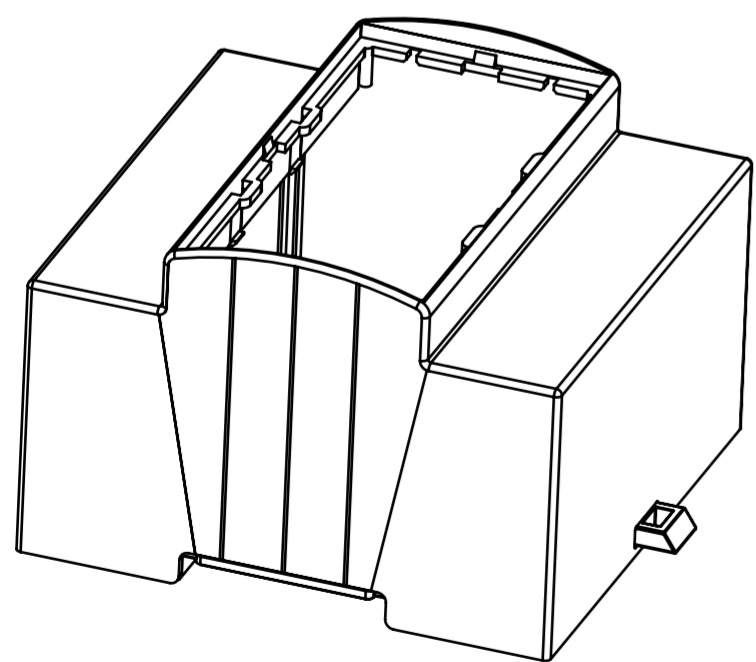
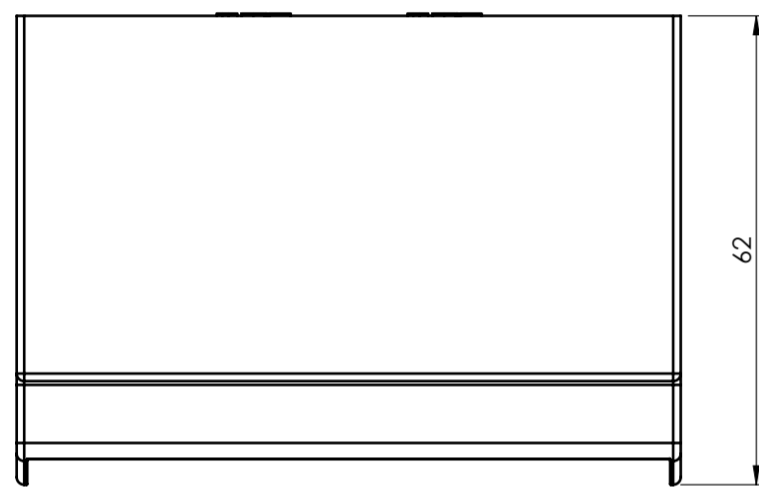
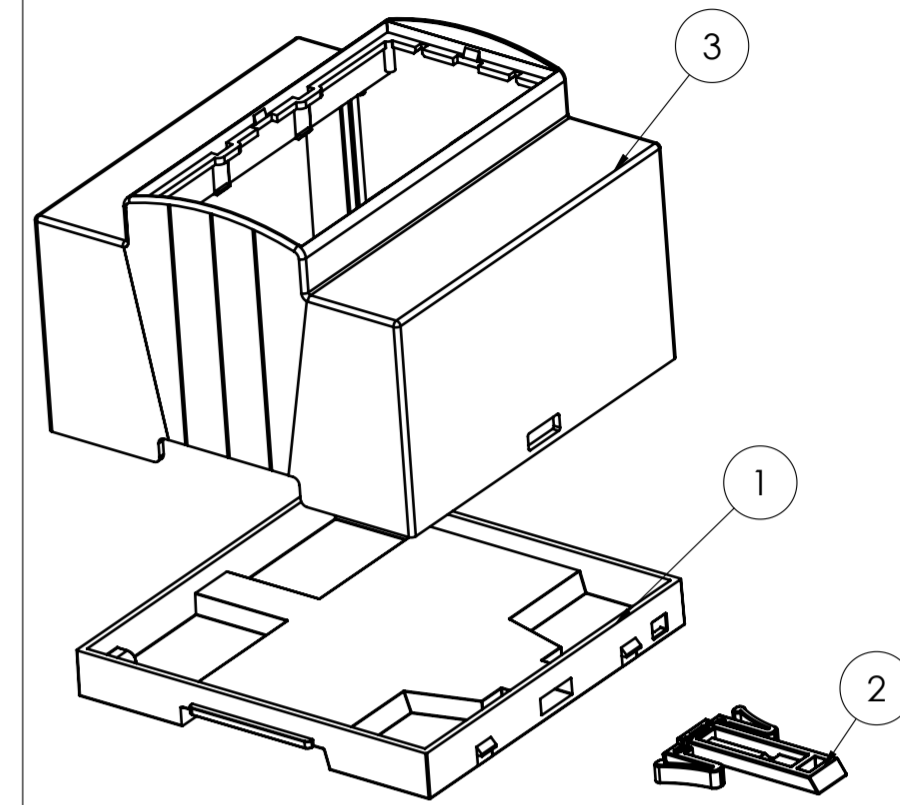
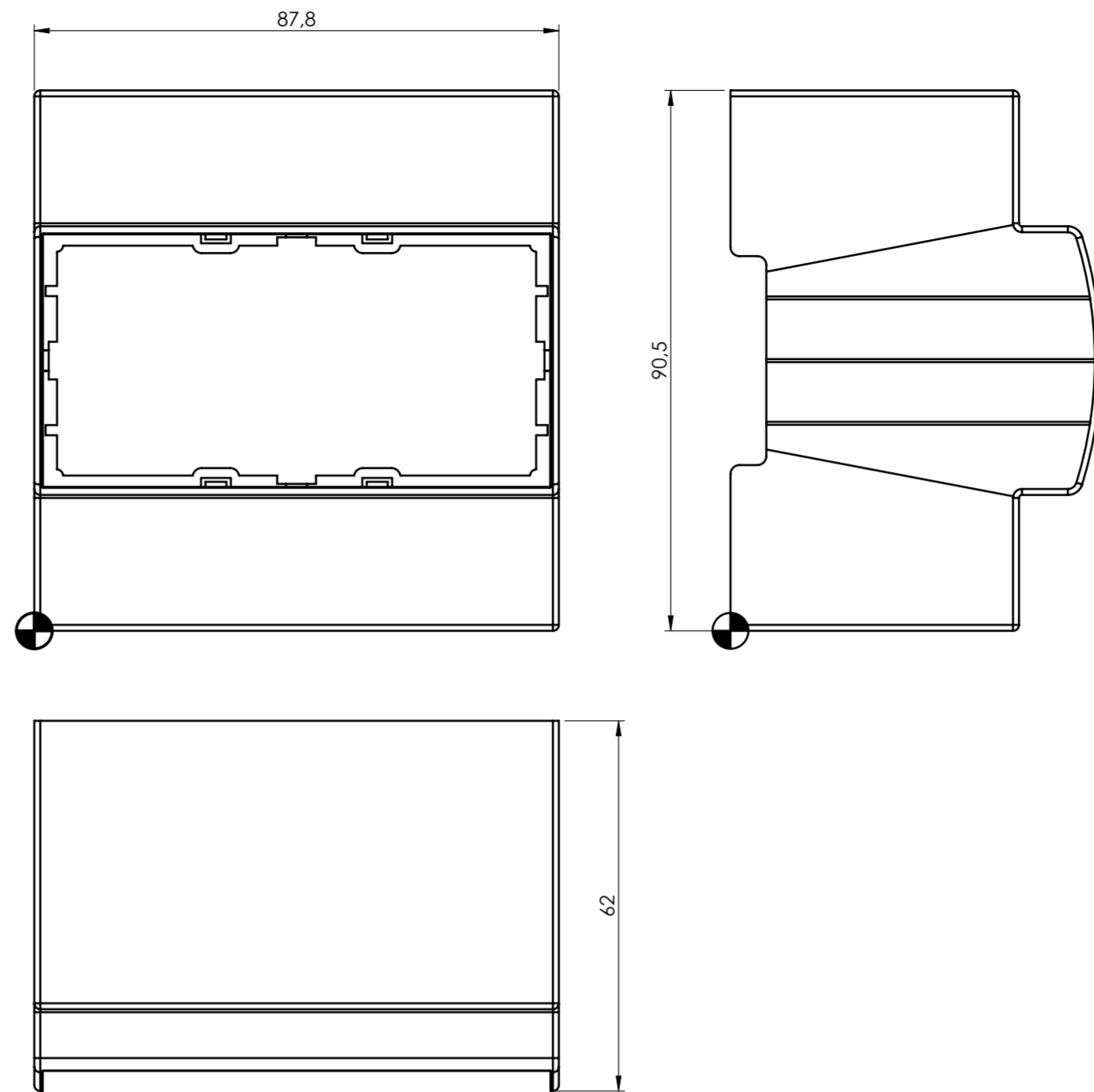


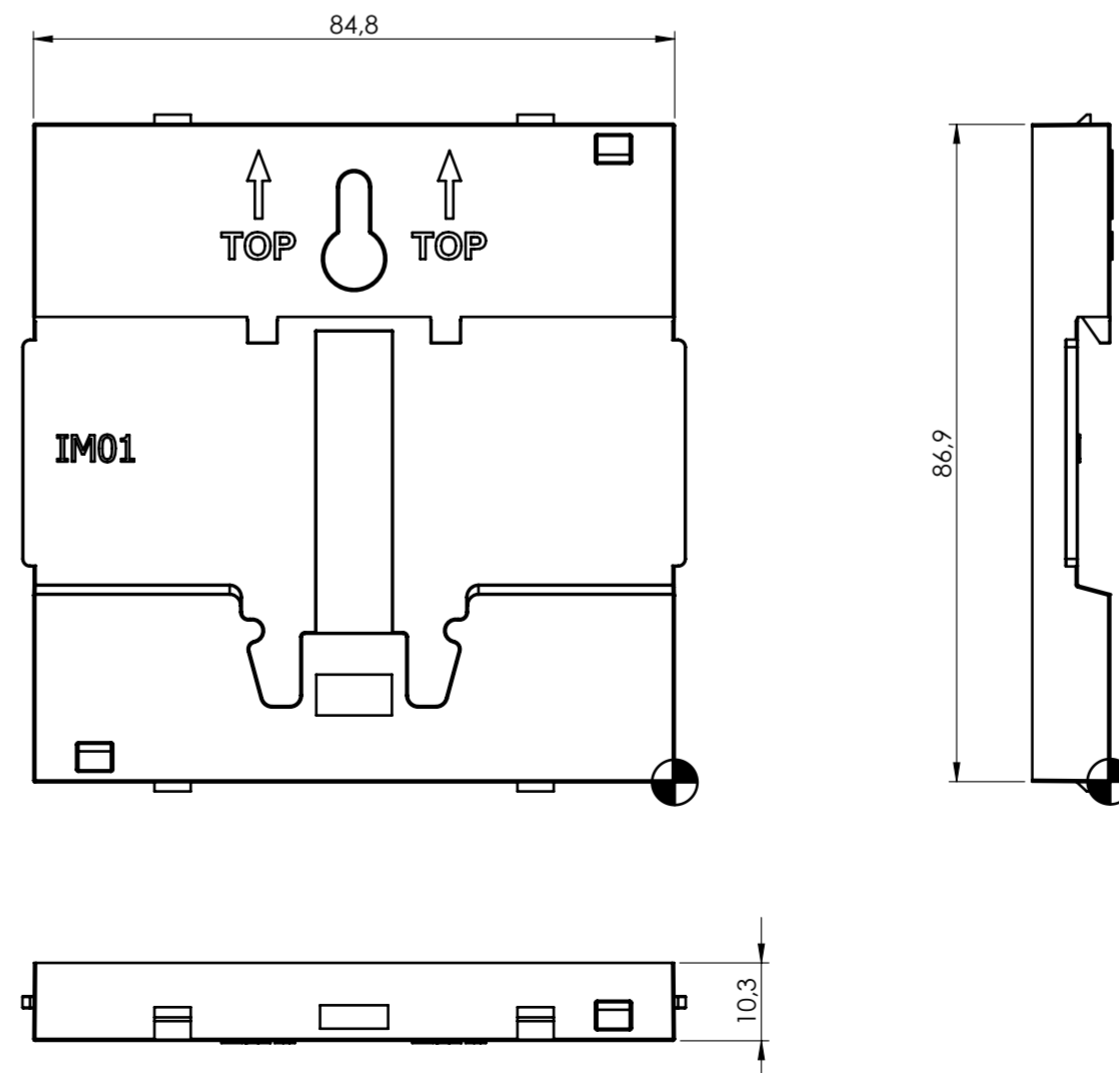
SECTION A-A



BODY ENCLOSURE

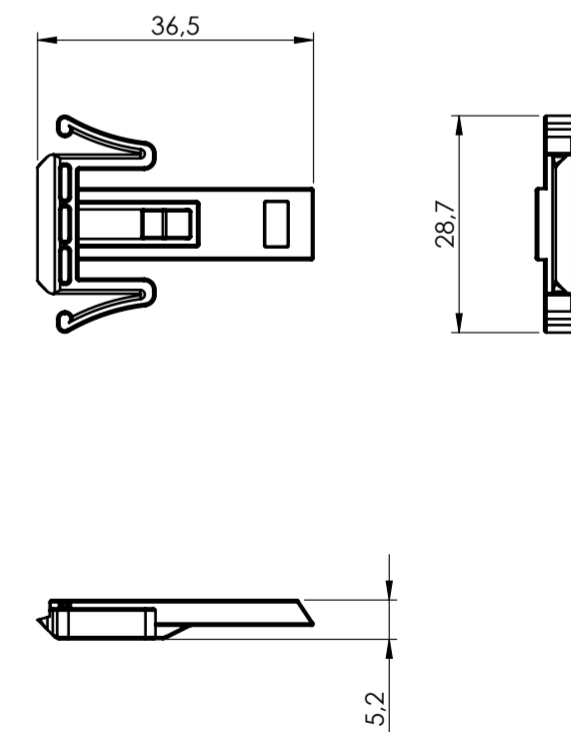


BASE



General information:
 - Workpiece zero point for mechanical processing
 - Minimum recommended radius for machining = R1.0 mm
 - Mounting rail like EN 60715: TH 35-7.5 or TH 35-15
 - Recommended PCB outline on www.italtronic.com

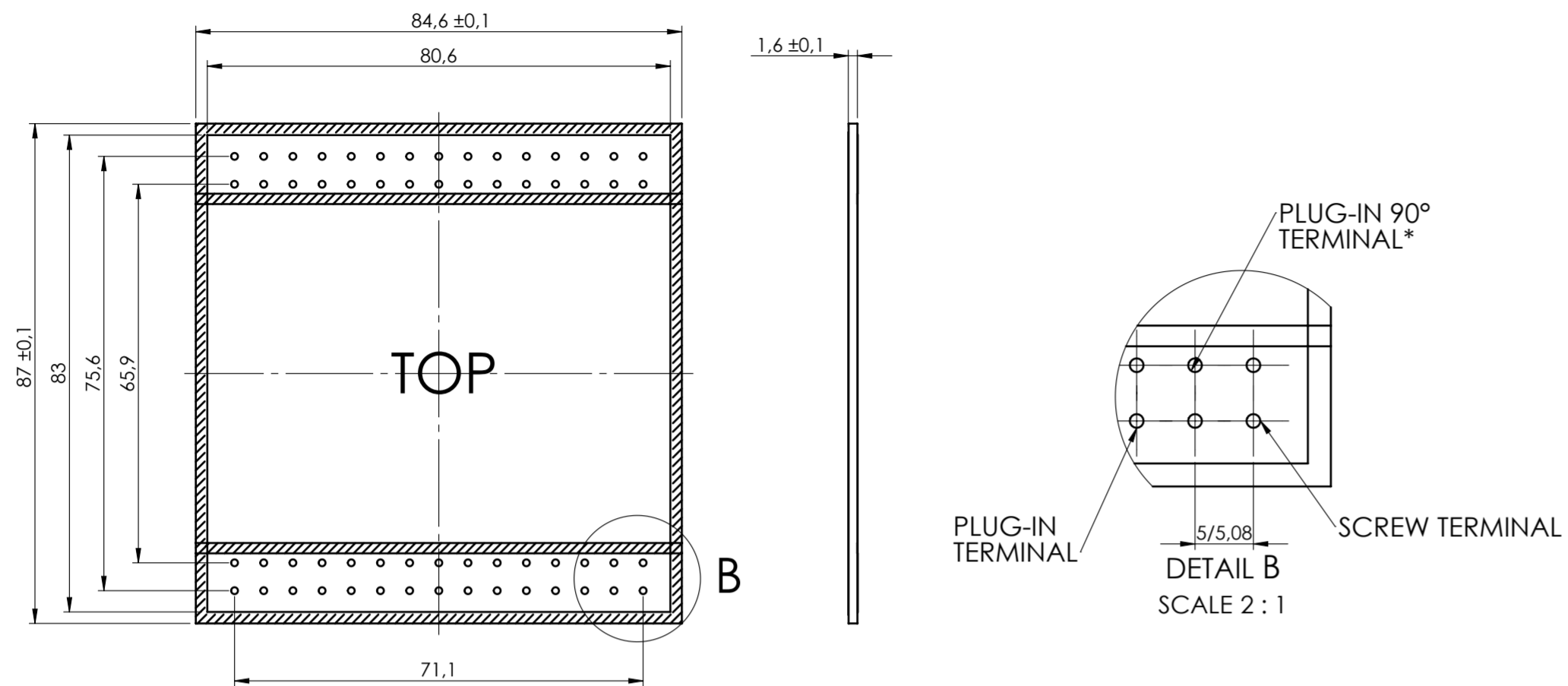
HOOK



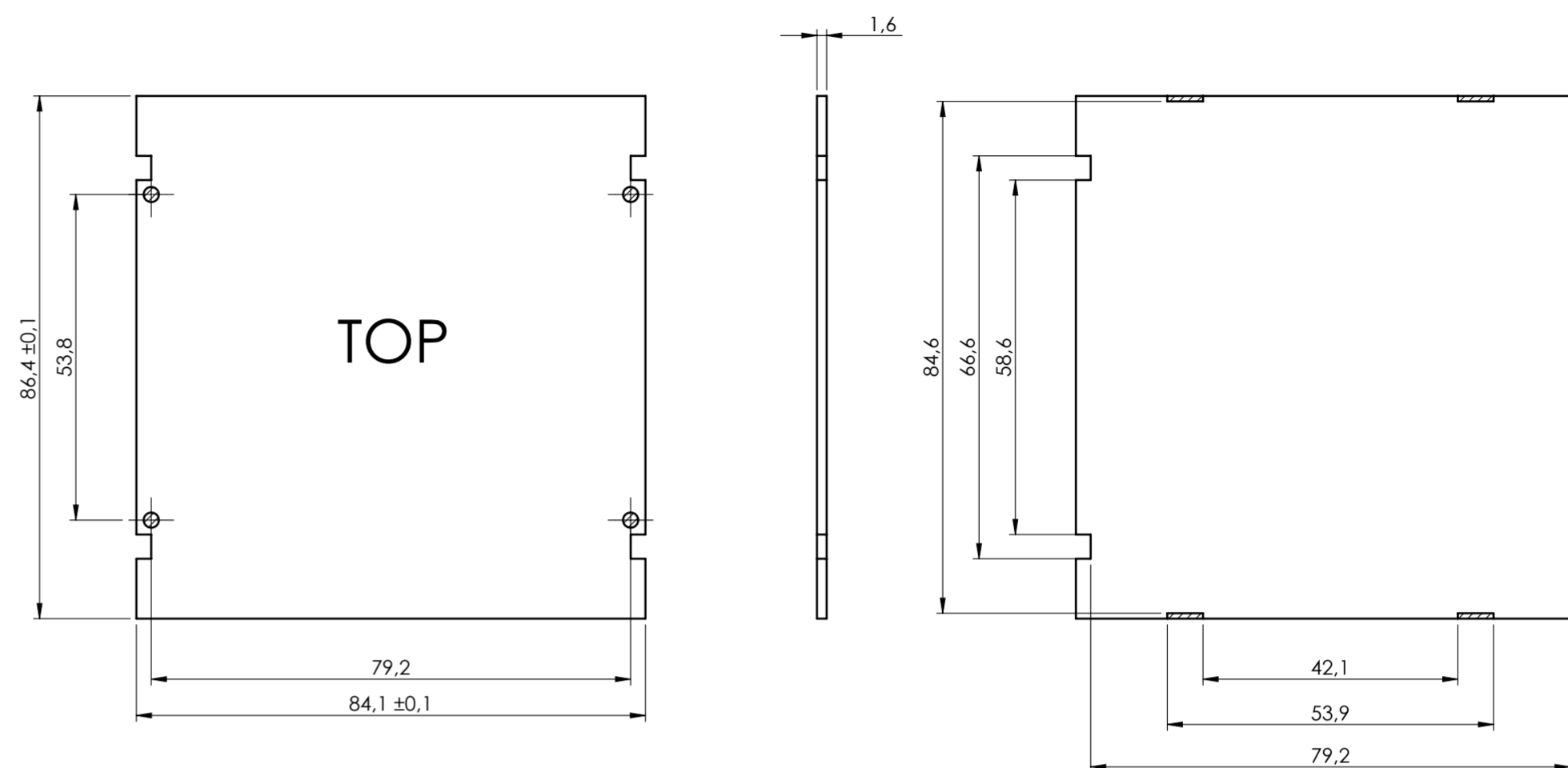
RIF.	Q.TY	DRAWING	DESCRIPTION
1	1	2_250_03678	BASE MODULBOX XT\XTS - 5M
2	1	2_250_00072	HOOK FOR MODULBOX XT\XTS
3	1	2_250_03674	BODY MODULBOX XTS 5M53-C

General Tolerance UNI EN 22768/1 Media (m)					Sheet:
from 0.5 to 3	from 3 to 6	from 6 to 30	from 30 to 120	from 120 to 400	1
± 0.1	± 0.1	± 0.2	± 0.3	± 0.5	
Scale:	IM:	Drawn:	Checked:	Date:	Material:
1:1	--		R.N.	03/05/2023	
Dimension in mm		Replaces the:		Derived from:	Weight:
		M-04093-01			gr
Description:					Cod. Mold:
KIT CONTENITORE MODULBOX XTS 5M53-C					--
KIT ENCLOSURE MODULBOX XTS 5M53-C					
Drawing nr.:					Rev.:
3_250_00098					00
italtronic.com					A2

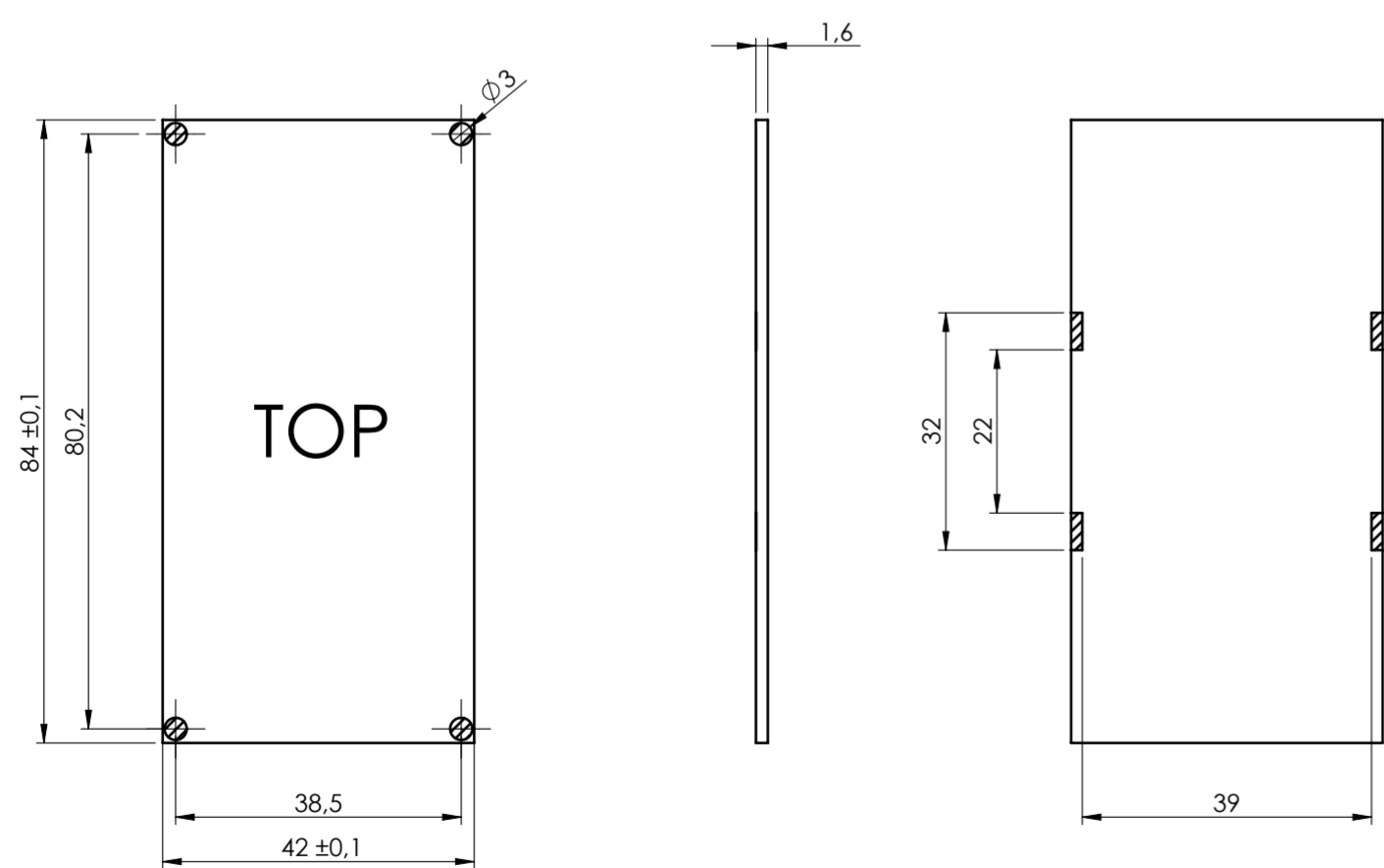
PCB A



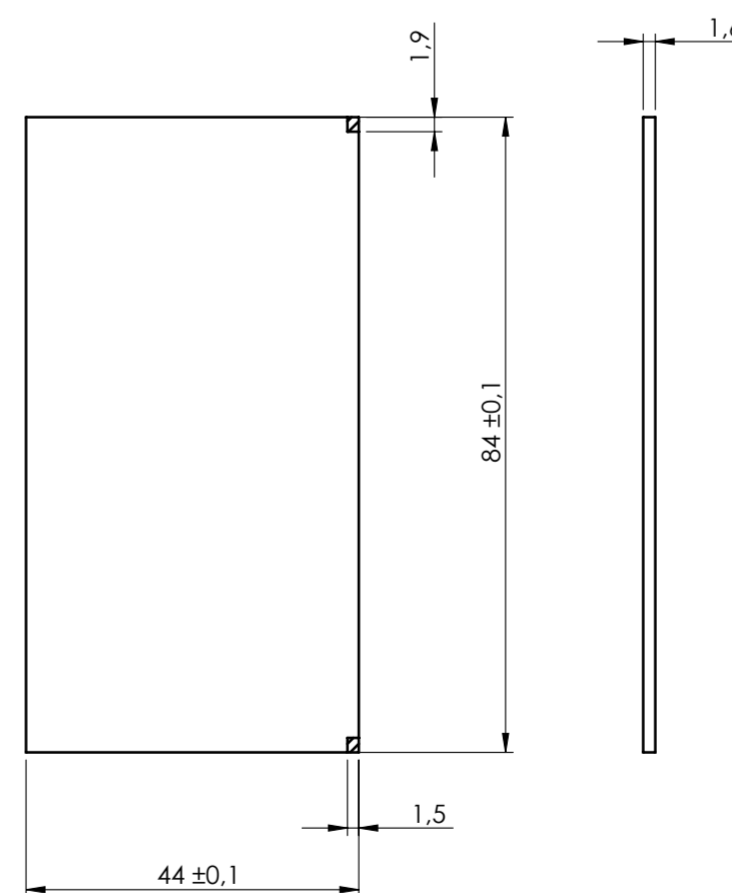
PCB B2



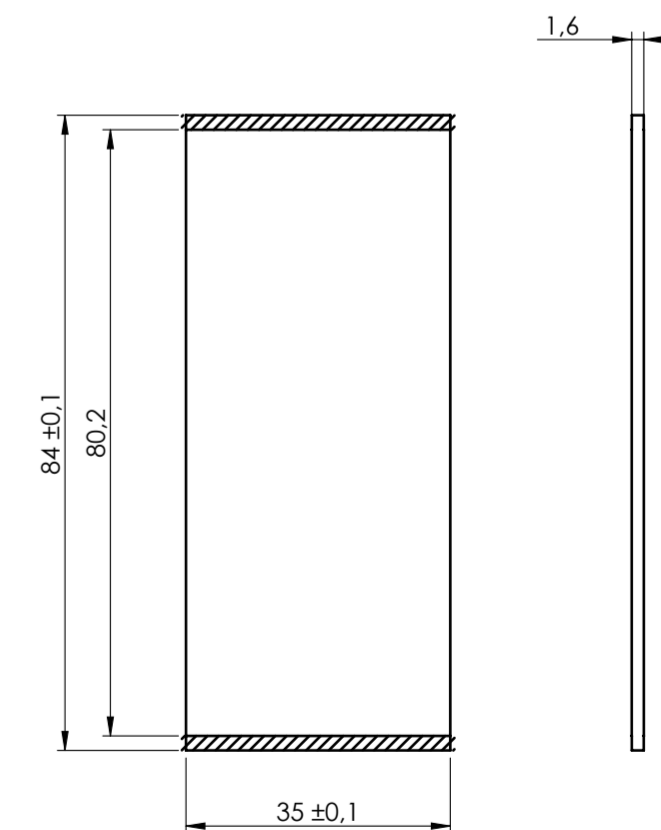
PCB C



PCB V2



PCB V1



General Tolerance UNI EN 22768/1 Media (m)					Sheet:
from 0.5 to 3 ± 0.1	from 3 to 6 ± 0.1	from 6 to 30 ± 0.2	from 30 to 120 ± 0.3	from 120 to 400 ± 0.5	PCB
Scale: 1:1	IM: --	Drawn: --	Checked: R.N.	Date: 03/05/2023	Material: --
Dimension in mm		Replaces the: M-04093-01		Derived from: --	Weight: gr
Description: KIT CONTENITORE MODULBOX XTS 5MS3-C KIT ENCLOSURE MODULBOX XTS 5MS3-C Drawing nr.: 3_250_00098					Rev.: 00
					A2