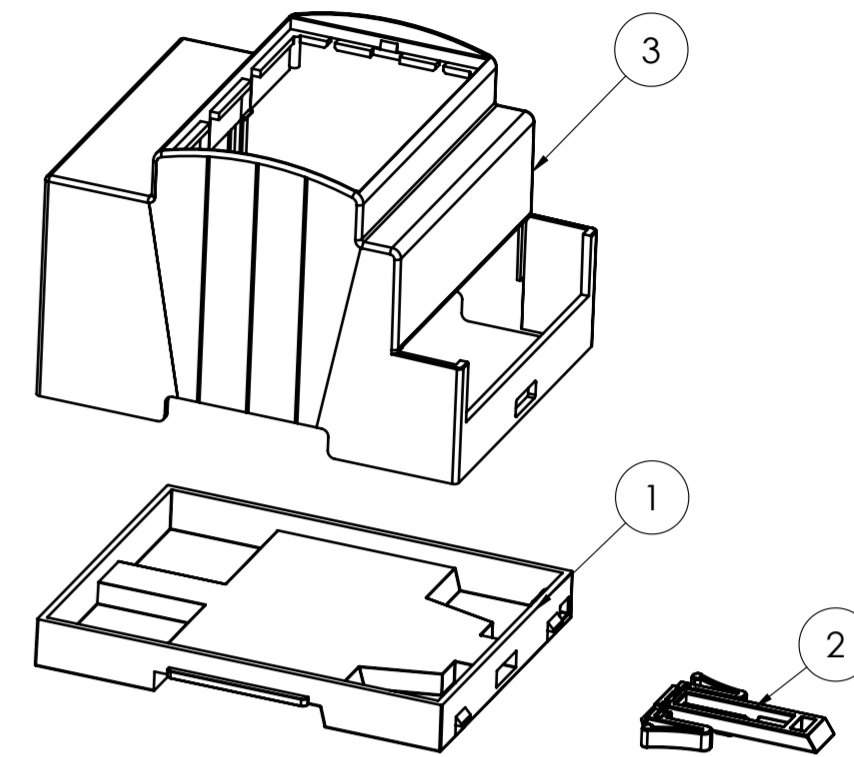
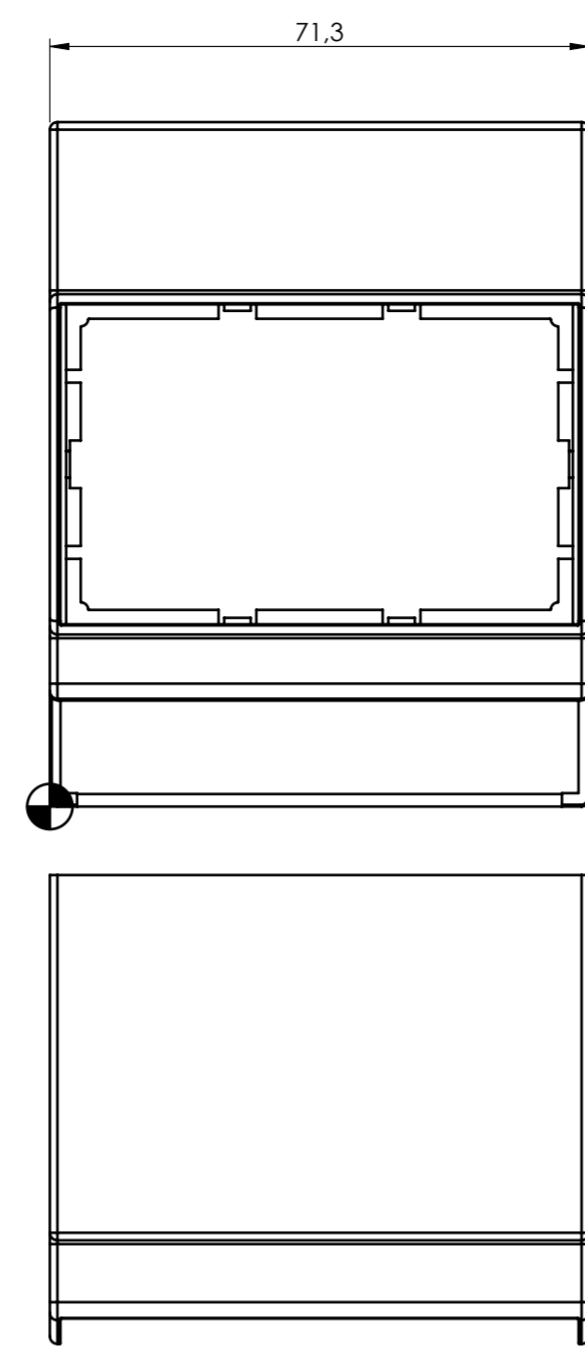
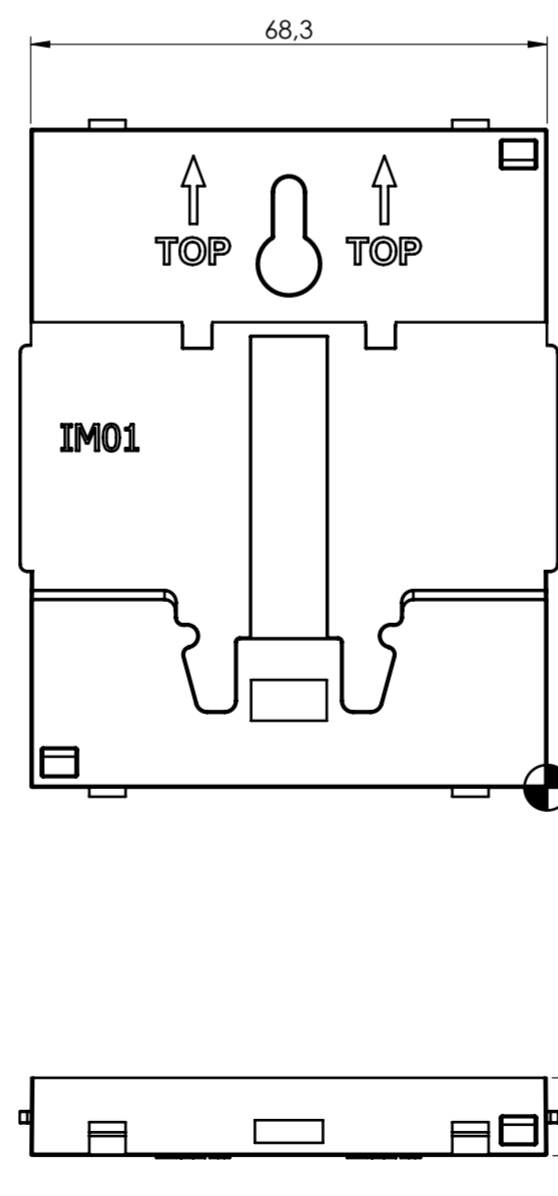


BODY ENCLOSURE

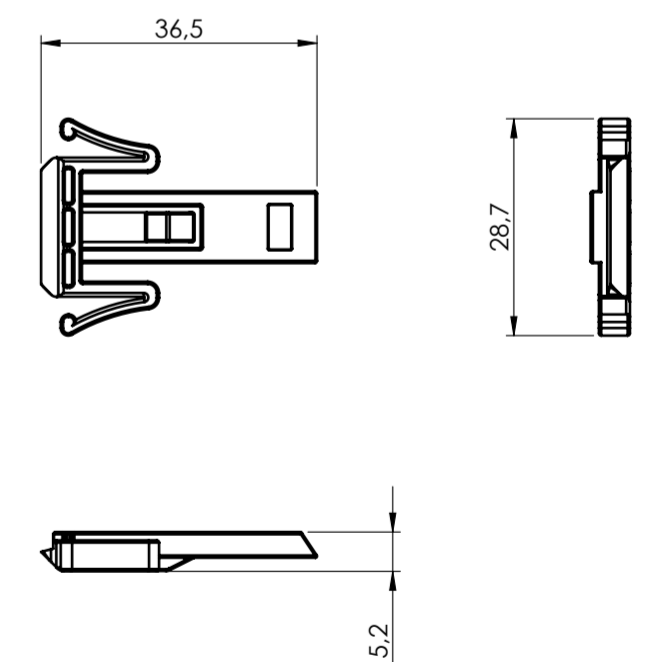


BASE



General information:
 - Workpiece zero point for mechanical processing
 - Minimum recommended radius for machining = R1.0 mm
 - Mounting rail like EN 60715: TH 35-7.5 or TH 35-15
 - Recommended PCB outline on www.italtronic.com

HOOK

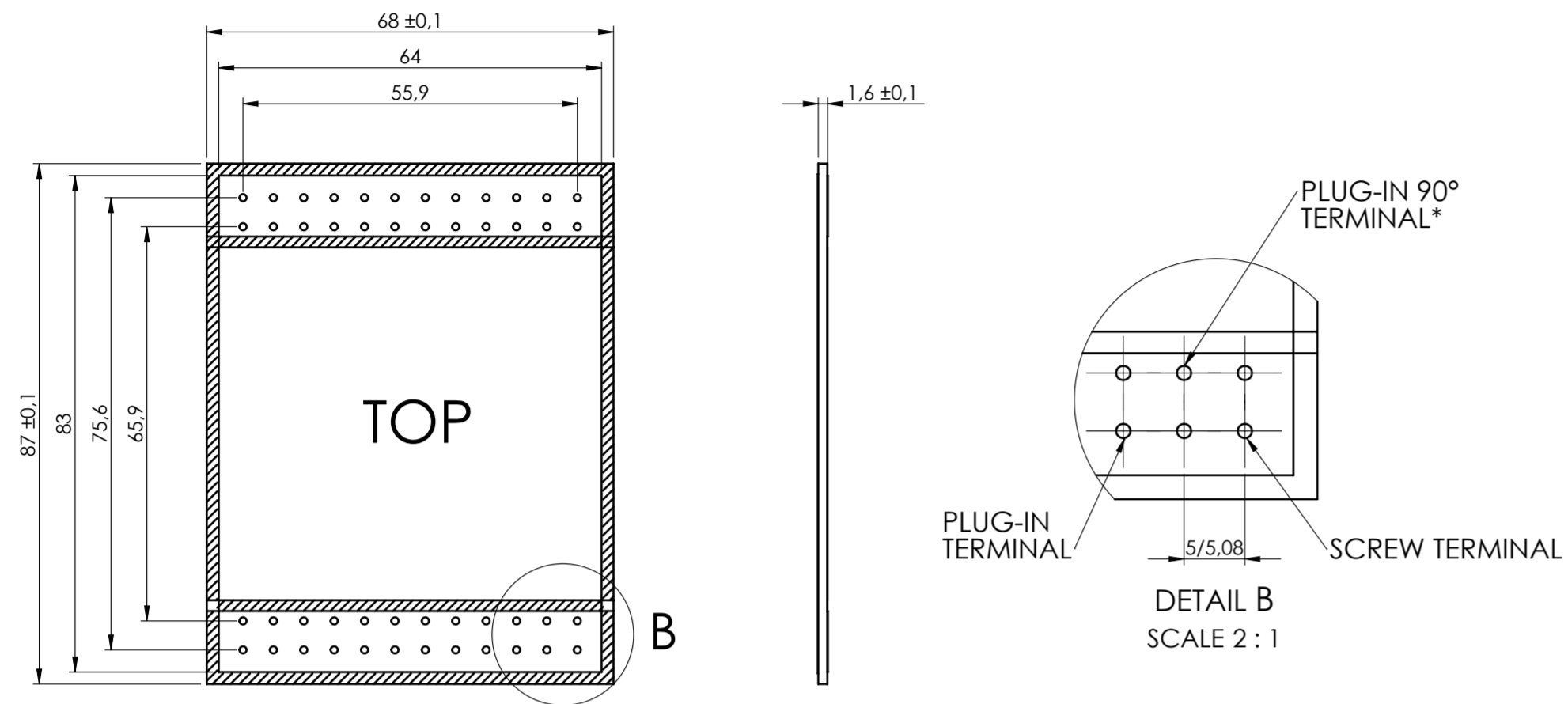


RIF.	Q.TY	DRAWING	DESCRIPTION
1	1	2_250_03633	BASE MODULBOX XT/XTS 4M
2	1	2_250_00072	HOOK FOR MODULBOX XT-XTS
3	1	2_250_03671	BODY MODULBOX XTS 4MH53-B

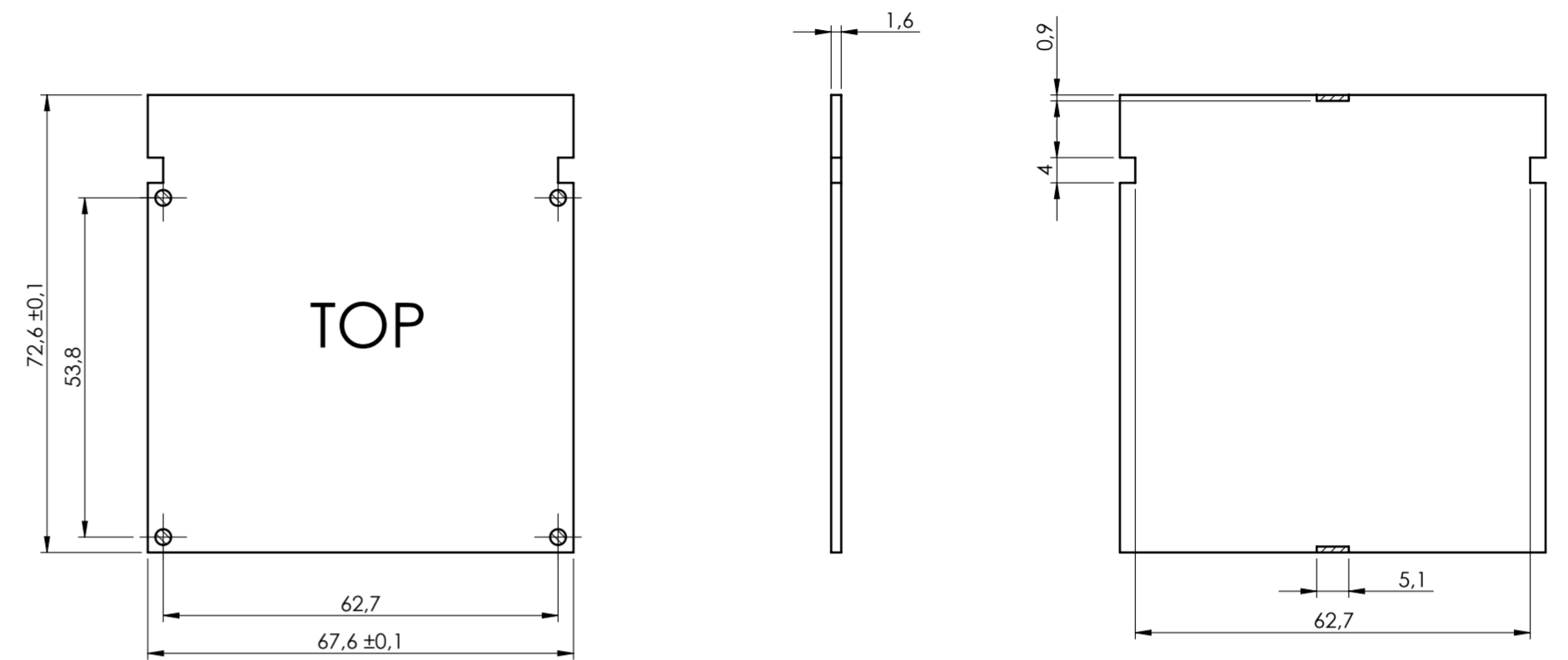
General Tolerance UNI EN 22768/1 Media (m)					Sheet:
from 0.5 to 3	from 3 to 6	from 6 to 30	from 30 to 120	from 120 to 400	1
± 0.1	± 0.1	± 0.2	± 0.3	± 0.5	
Scale:	Drawn:	Checked:	Date:	Material:	Process:
1:1			03/05/2023		
Dimension in mm	Derived from:	R.N.	03/05/2023	Weight:	Cod. Mold:
				gr	--
			Description: KIT CONTENITORE MODULBOX XTS 4MH53-B KIT ENCLOSURE MODULBOX XTS 4MH53-B		
italtronic.com			Drawing nr.: 3_250_00100		
					Rev.: 00 A2

Max height of the terminal:
 Modulbox XT/XTS: 18.5 mm
 Modulbox ONE: 20 mm

PCB A

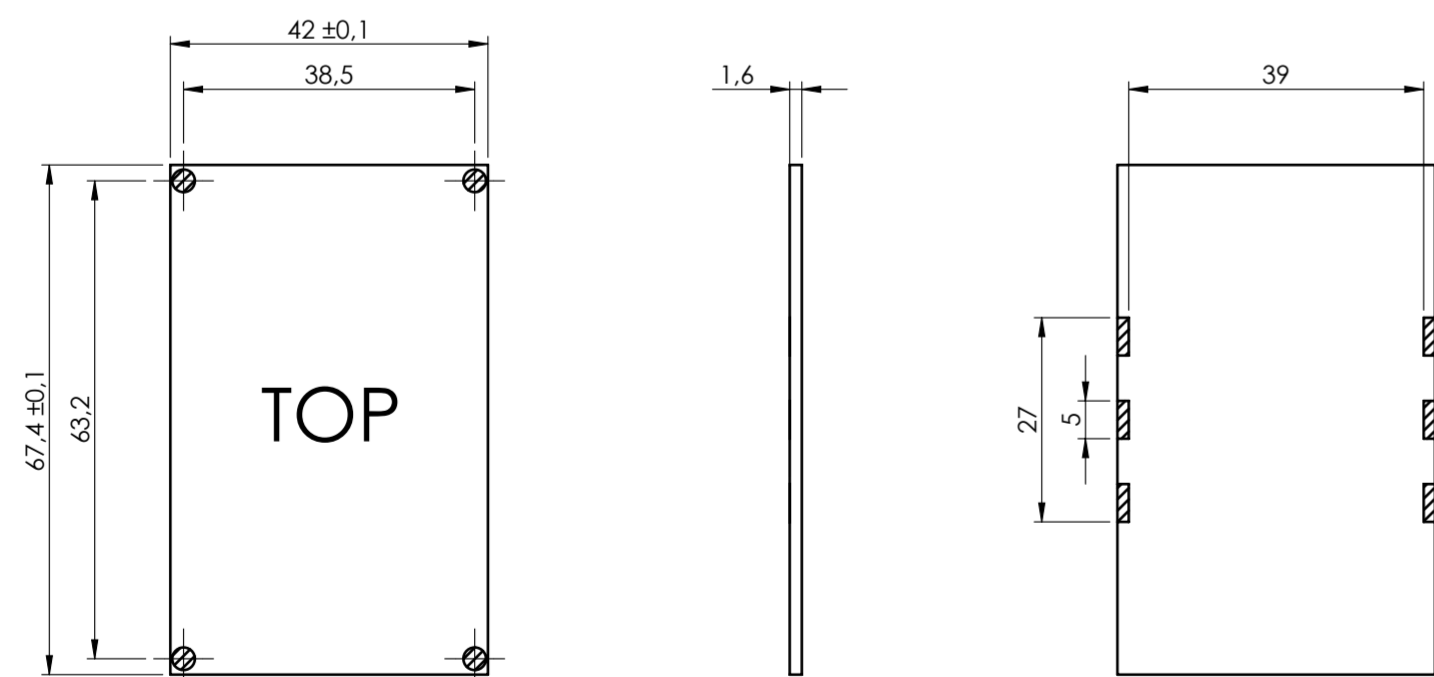


PCB B

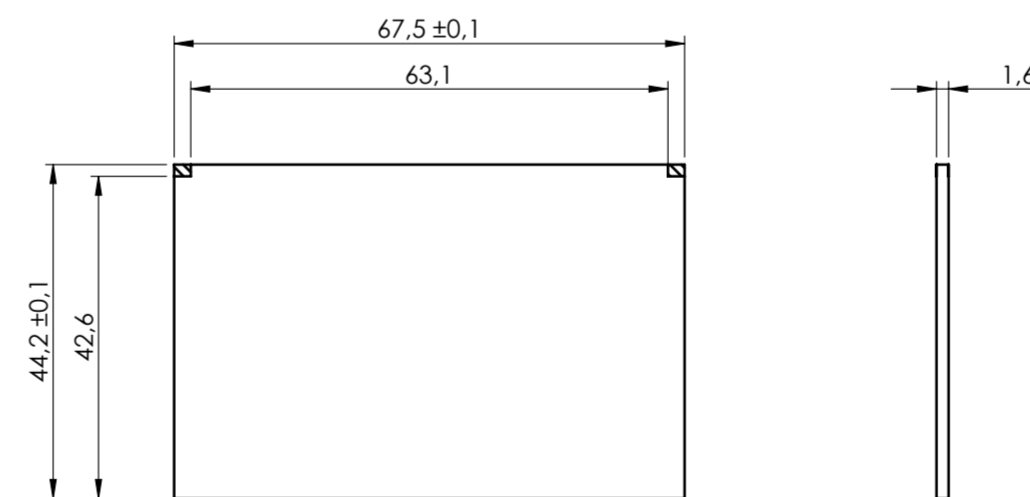


*To use the PLUG-IN terminals in Modulbox ONE use plug-in adapter P05000003E (5/5.08 pitch) and P05000004E (7.5/7.62 pitch)

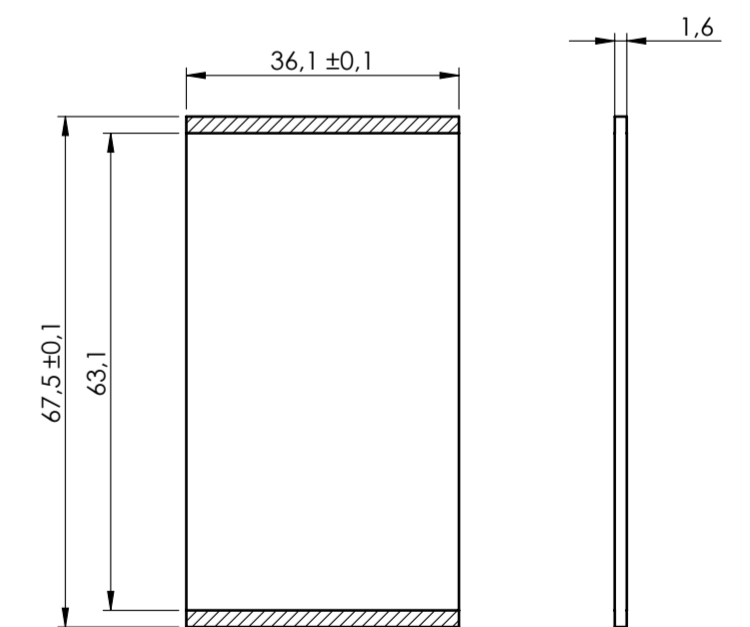
PCB C



PCB V2



PCB V1



NO COMPONENTS AREA

General Tolerance UNI EN 22768/1 Media (m)					Sheet:
from 0.5 to 3 ± 0.1	from 3 to 6 ± 0.1	from 6 to 30 ± 0.2	from 30 to 120 ± 0.3	from 120 to 400 ± 0.5	PCB
Scale:	IM:	Drawn:	Checked:	Date:	Material:
1:1	--	--	R.N.	03/05/2023	Process:
Dimension in mm		Replaces the:		Weight:	Cod. Mold:
		M-04082-01		gr	--
 italtronic enclosures for electronics italtronic.com		Description: KIT CONTENITORE MODULBOX XTS 4MH53-B KIT ENCLOSURE MODULBOX XTS 4MH53-B Drawing nr.: 3_250_00100			Rev.: 00
					A2