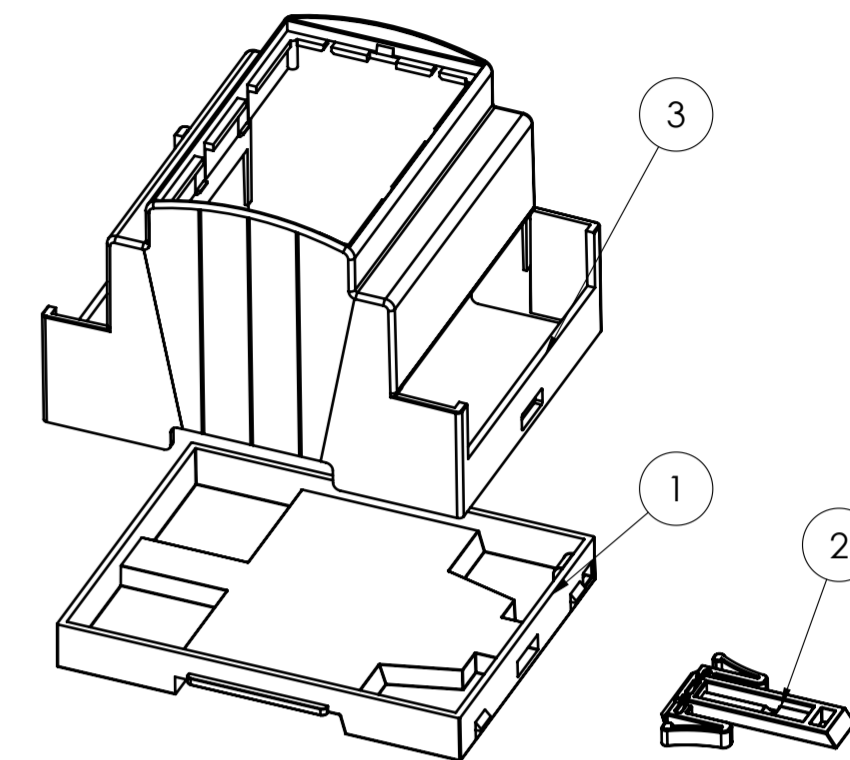
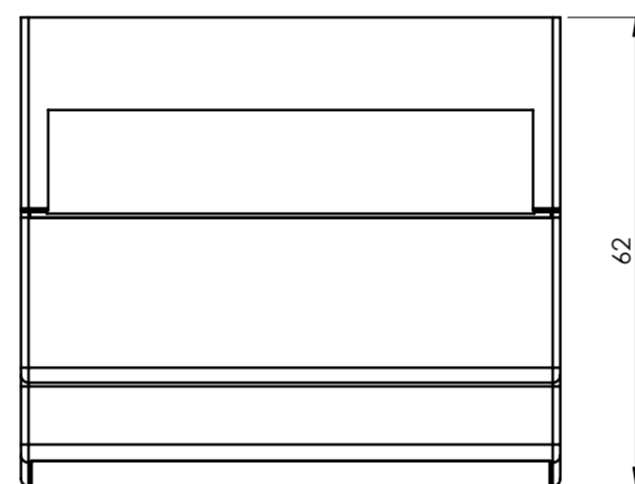
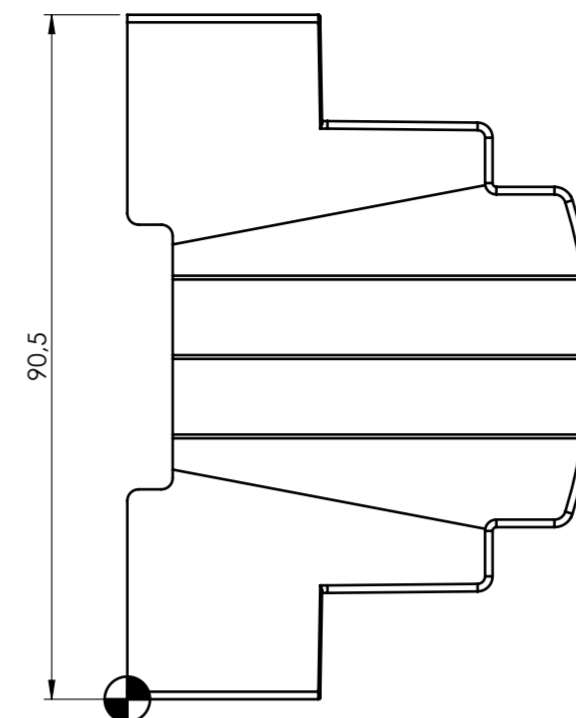
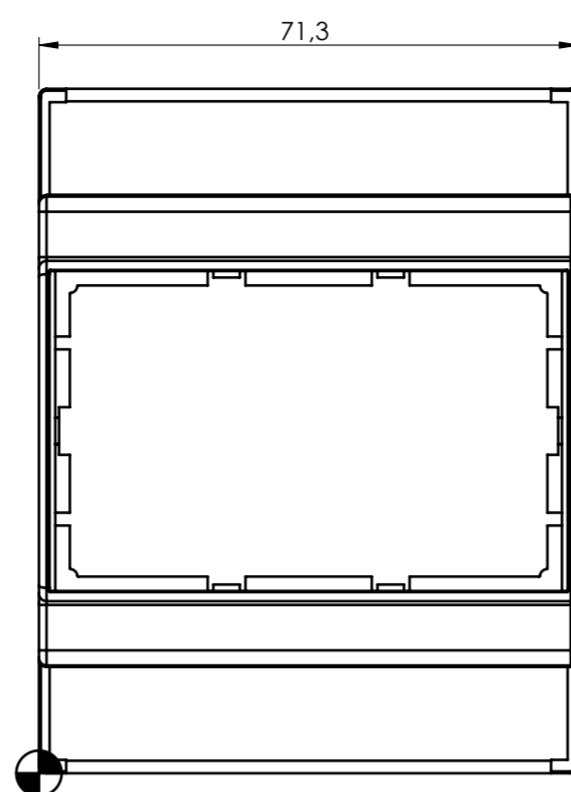
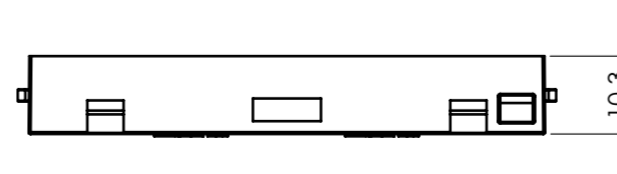
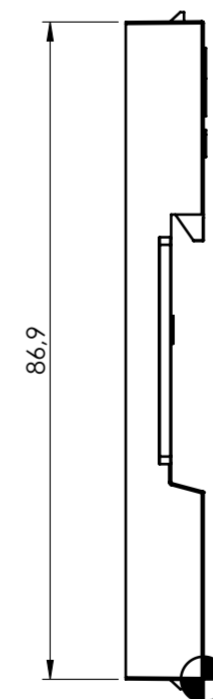
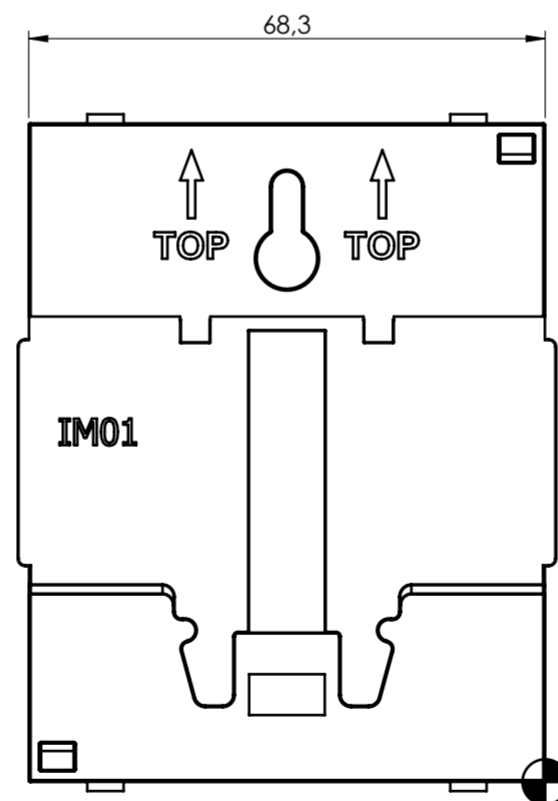


BODY ENCLOSURE

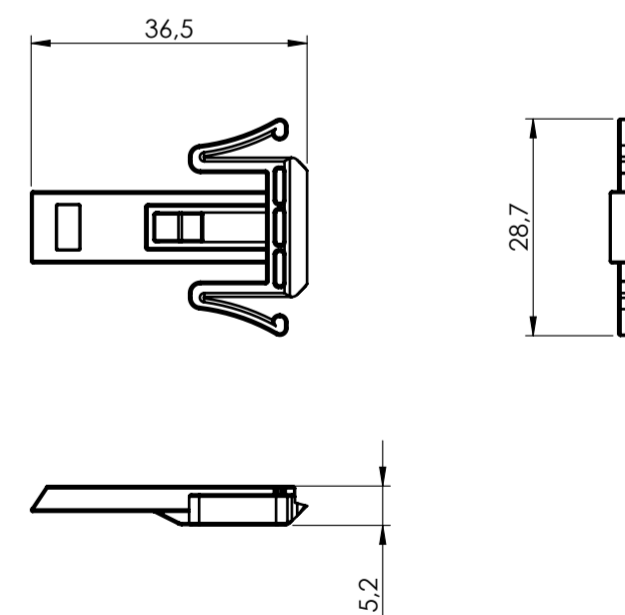


BASE



- General information:
- Workpiece zero point for mechanical processing
 - Minimum recommended radius for machining = R1.0 mm
 - Mounting rail like EN 60715: TH 35-7.5 or TH 35-15
 - Recommended PCB outline on www.italtronic.com

HOOK

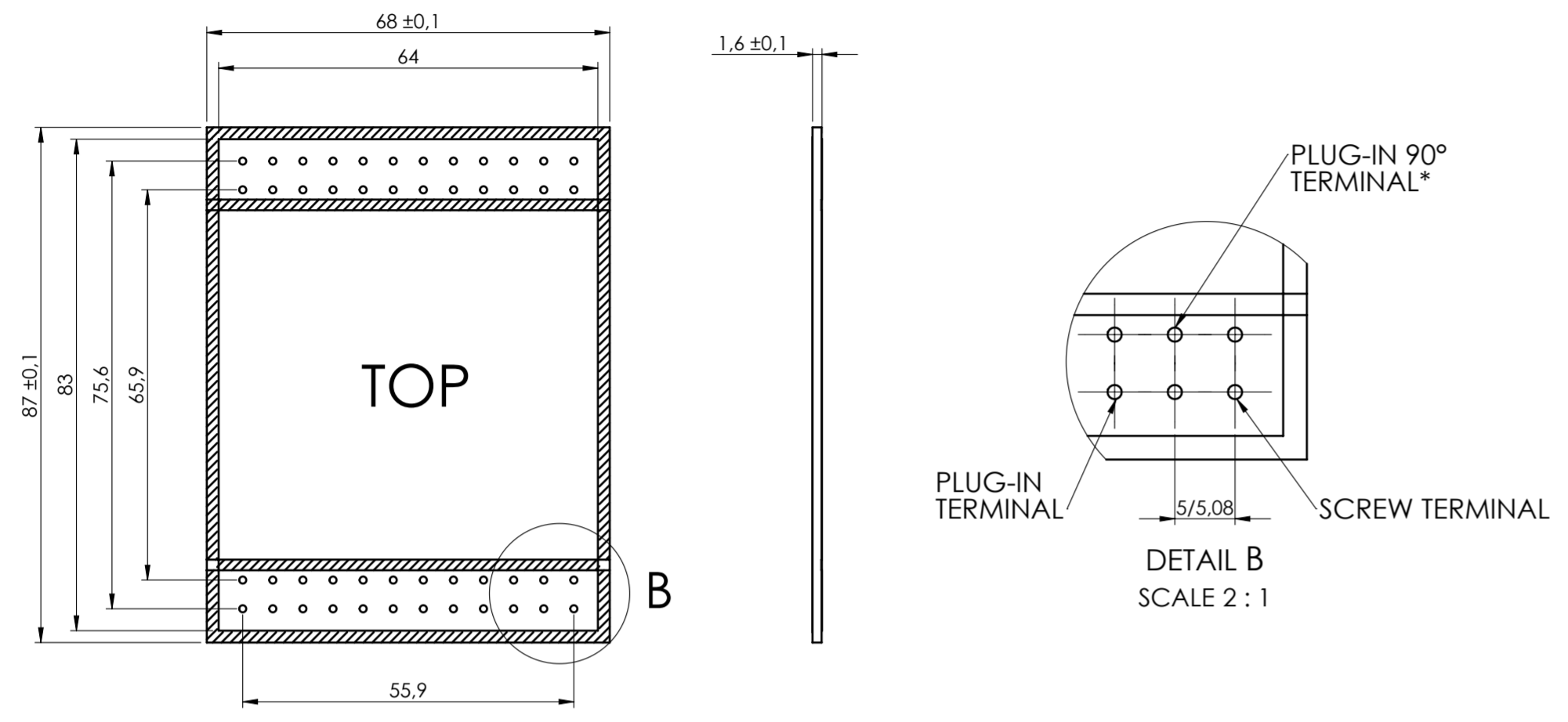


RIF.	Q.TY	DRAWING	DESCRIPTION
1	1	2_250_03633	BASE MODULBOX XT/XTS 4M
2	1	2_250_00072	HOOK FOR MODULBOX XT-XTS
3	1	2_250_03637	BODY MODULOXTS 4MH53-A

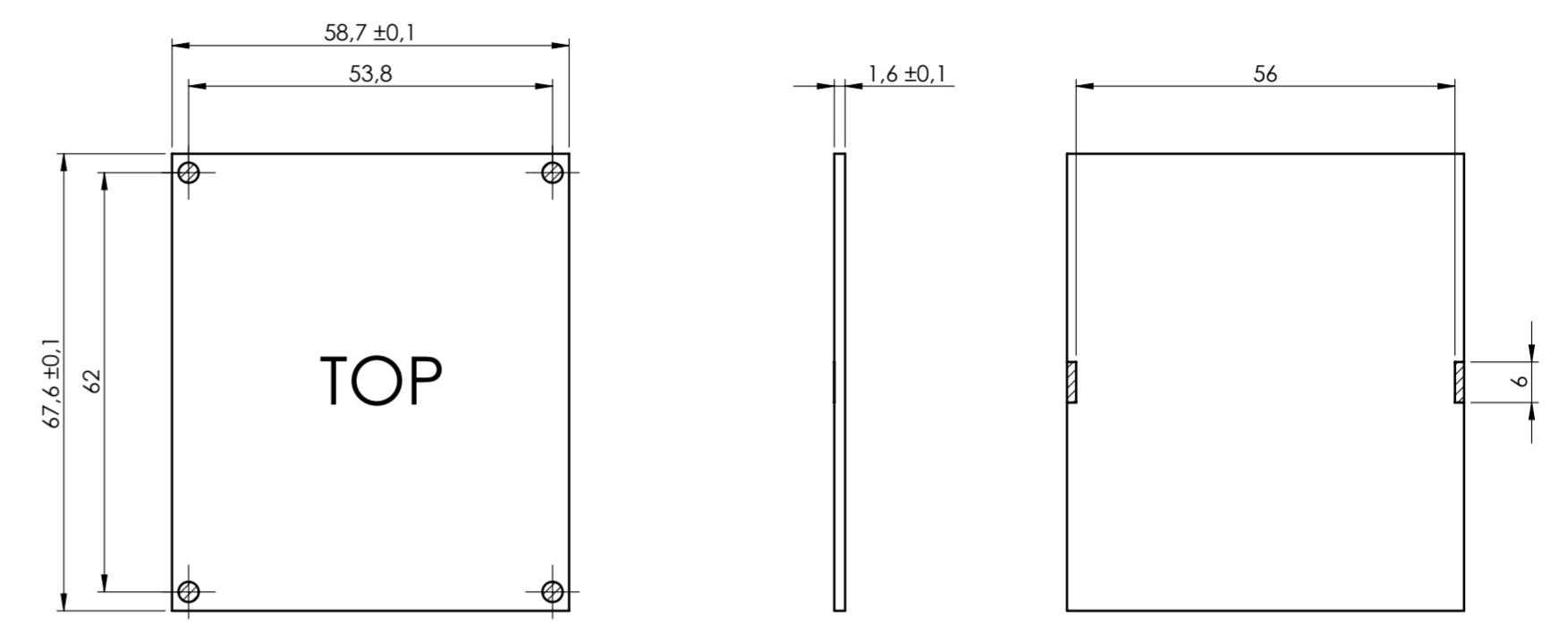
General Tolerance UNI EN 22768/1 Media (m)						Sheet:
from 0.5 to 3 ± 0.1	from 3 to 6 ± 0.1	from 6 to 30 ± 0.2	from 30 to 120 ± 0.3	from 120 to 400 ± 0.5		1
Scale: IM:	Drawn:	Checked:	Date:	Material:	Process:	
1:1	02	R.N.	28/04/2023			
	Replaces the:		Derived from:	Weight:	Cod. Mold:	
Dimension in mm	M-04084-01			gr	--	
			Description:			
enclosures for electronics			KIT CONTENITORE MODULBOX XTS 4MH53-A			
italtronic.com			KIT ENCLOSURE MODULBOX XTS 4MH53-A			
			Drawing nr.:			Rev.:
			3_250_00091			01 A2

Max height of the terminal:
Modulbox XT/XTS: 18.5 mm

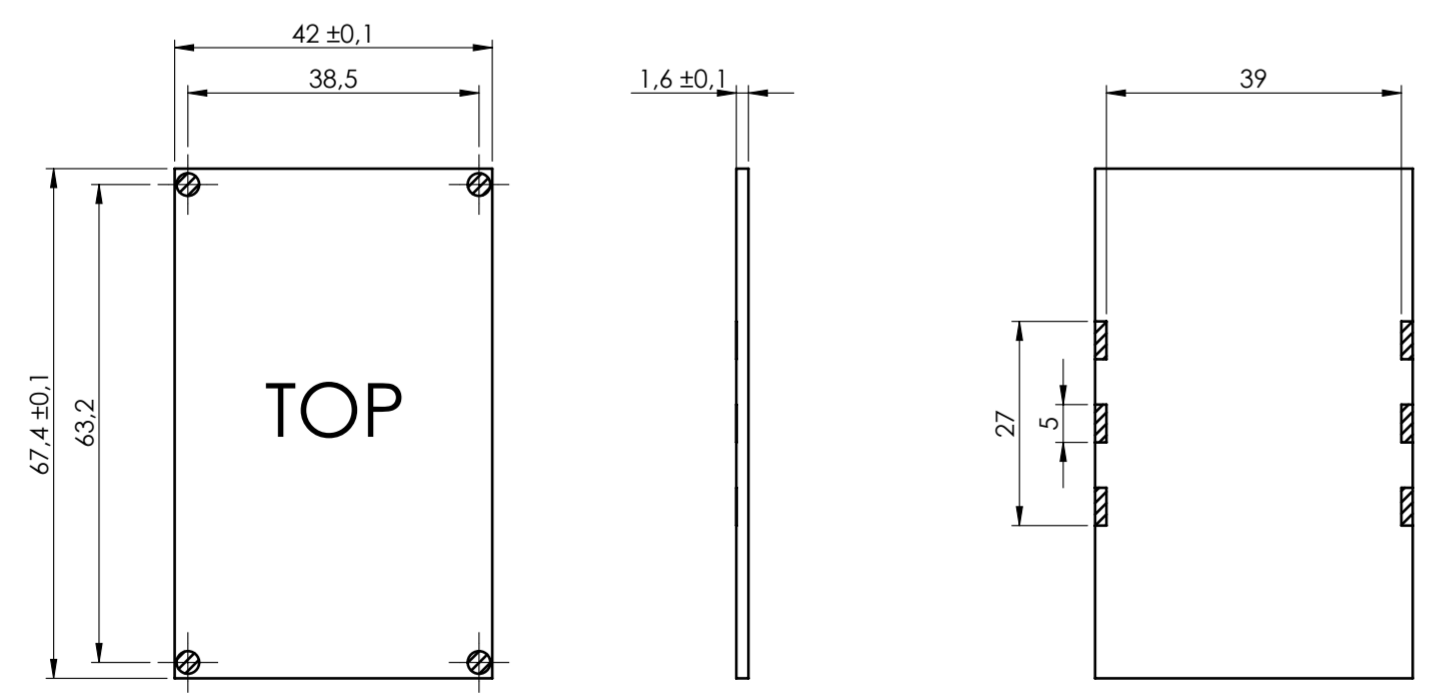
PCB A



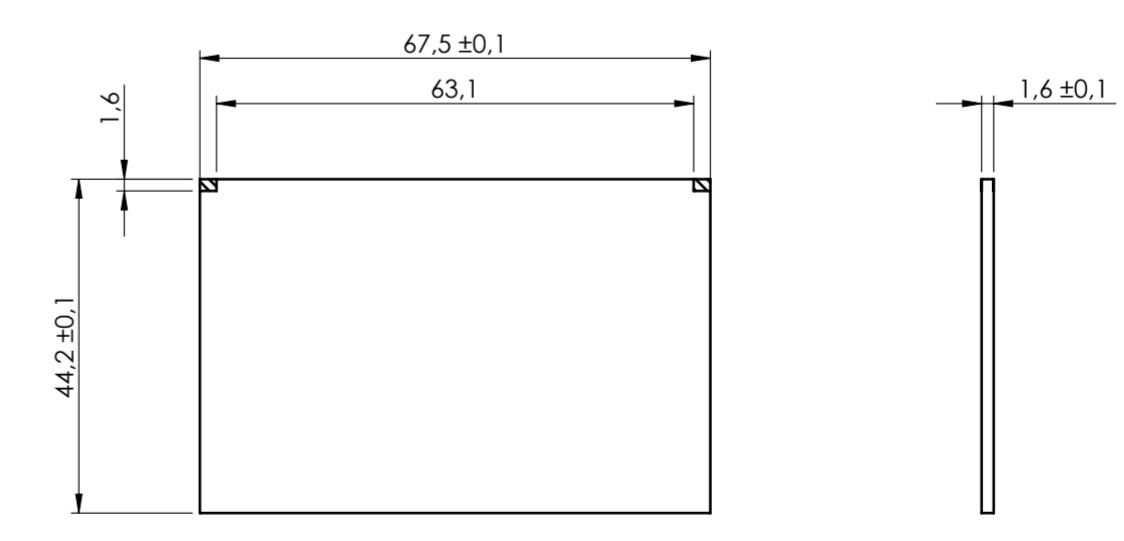
PCB B




PCB C



PCB V2



General Tolerance UNI EN 22768/1 Media (m)					Sheet:
from 0.5 to 3 ± 0.1	from 3 to 6 ± 0.1	from 6 to 30 ± 0.2	from 30 to 120 ± 0.3	from 120 to 400 ± 0.5	PCB
Scale: 1:1	IM: 02	Drawn: R.N.	Checked: R.N.	Date: 28/04/2023	Process:
Dimension in mm		Replaces the: M-04084-01	Derived from:	Weight: gr	Cod. Mold: --
 Description: KIT CONTENITORE MODULBOX XTS 4MH53-A KIT ENCLOSURE MODULBOX XTS 4MH53-A Drawing nr.: 3_250_00091					Rev.: 01
					A2

NO COMPONENTS AREA