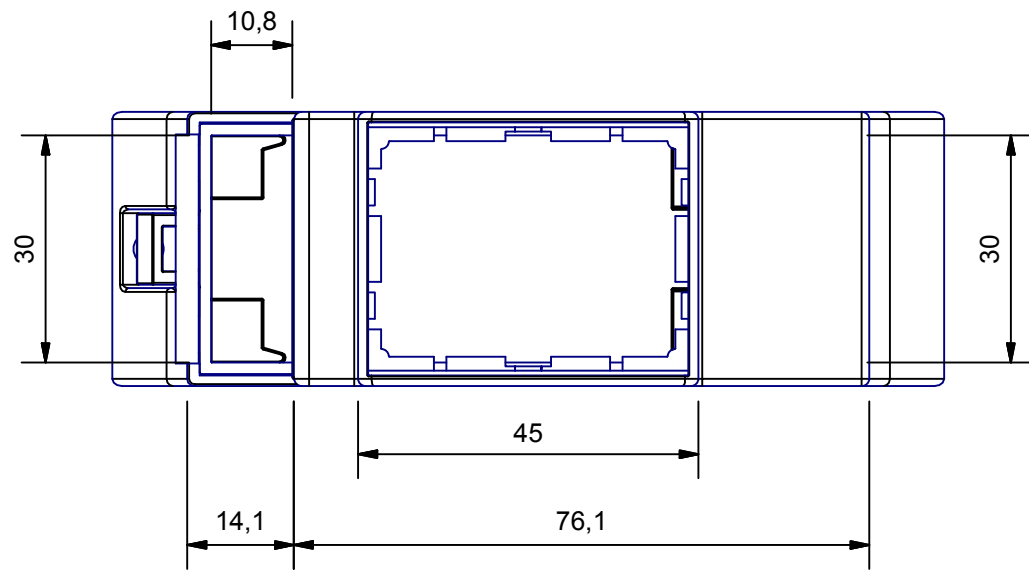
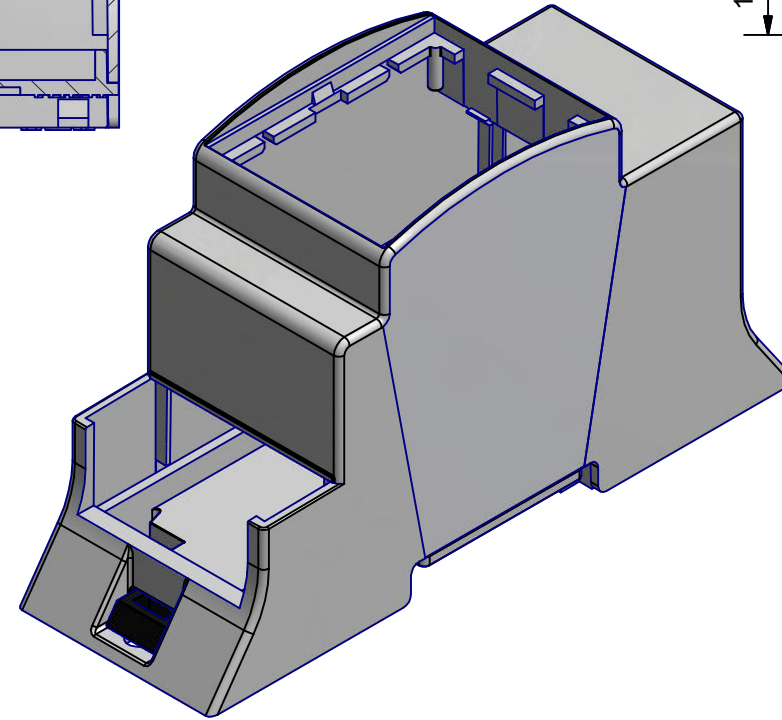
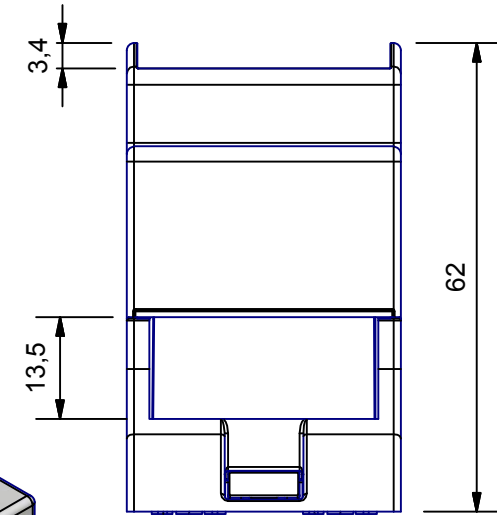
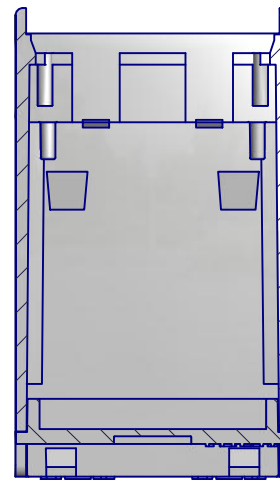


A-A (1:1)

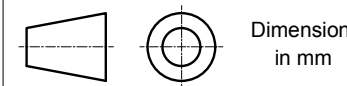


COMPONENTS LIST			
RIF.	Q.TY	DESCRIPTION	CODE
1	1	BASE 2M XT	M-01983
2	1	AGGANCIO MODULBOX - HOOK MODULBOX	M-01900
7	1	CORPO CONTENITORE 2MH53-B - BODY ENCLOSURE 2MH53-B	M-02065

Da 0,5 a 3	Oltre 3 fino a 6	Oltre 6 fino a 30	Oltre 30 fino a 120	Oltre 120
± 0,1	± 0,1	± 0,2	± 0,3	± 0,5

RESERVED PROPERTY

The present drawing cannot be reproduced or communicated to 3d parties, even partially, without the authorization of ITALTRONIC Srl. Italtronic reserves to protect its own rights according to the law.



SHEET NR.
1 / 1

DRAWING BY
GAD
Manual modification are not allowed

GENERAL TOLERANCE
UNI EN 22768/1
Media (m)

Date: 28/08/2012	Replace nr.	Revision description
Drawed: Reginato M.	Checked: Dalla Montà D.	

<p>UN PARTNER PER IL FUTURO</p>	Denomination:
	Contenitore completo modulbox XT 2MH53-B Complete enclosure modulbox XT 2MH53-B
	Drawing nr. M-04053-01

General revision and added table. 13/06/13 Rigato N.

5 4 3 2 1