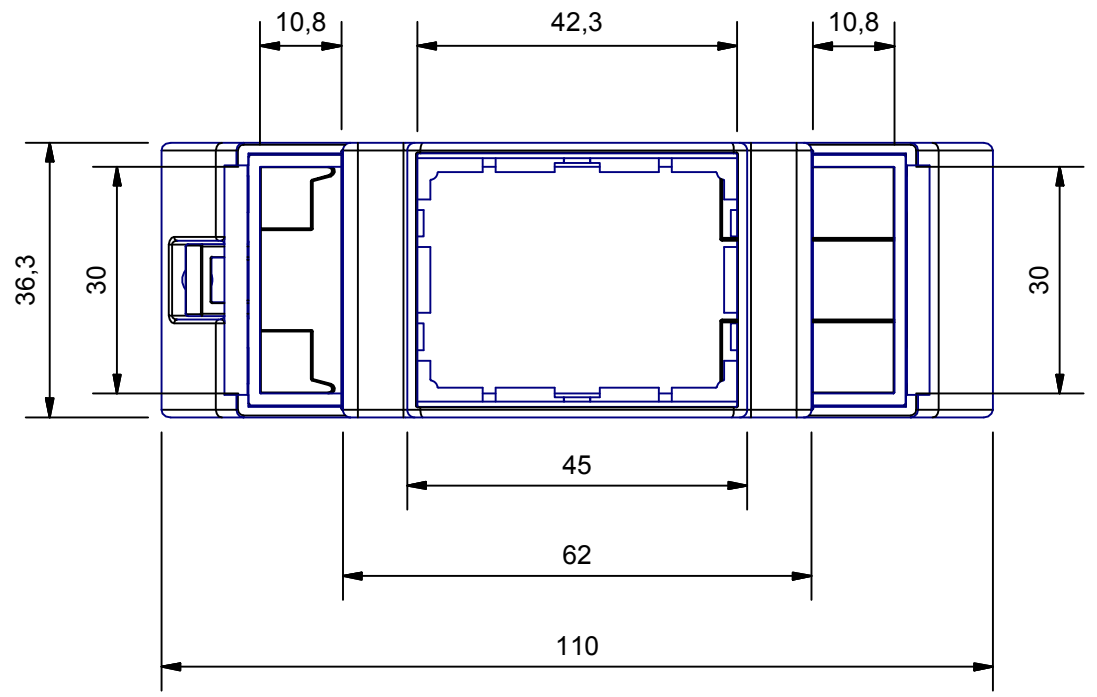
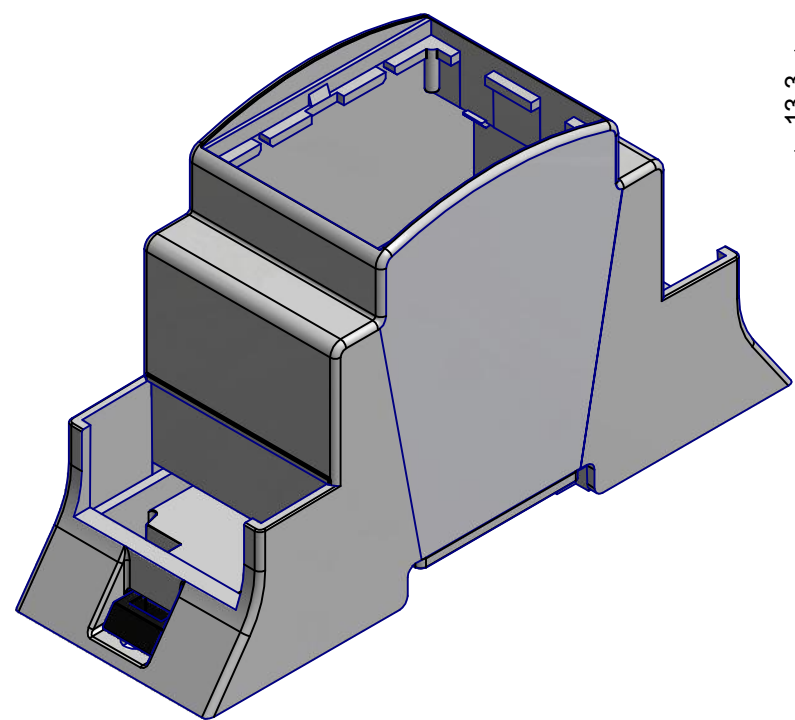
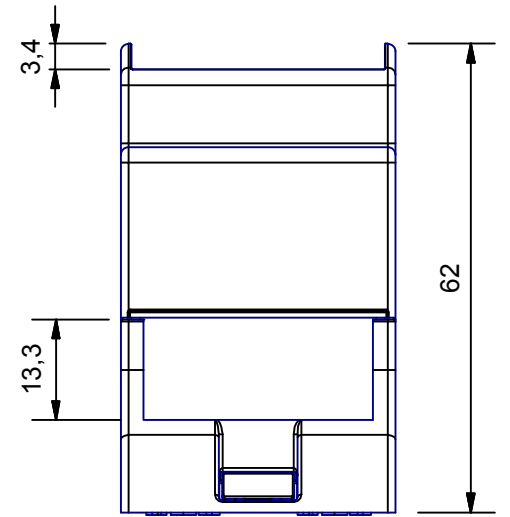
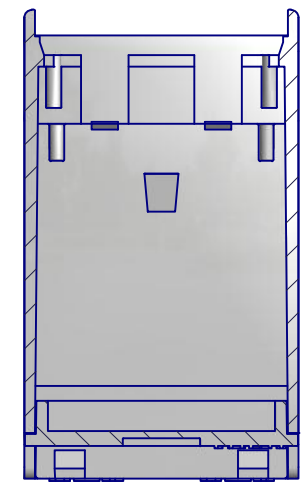
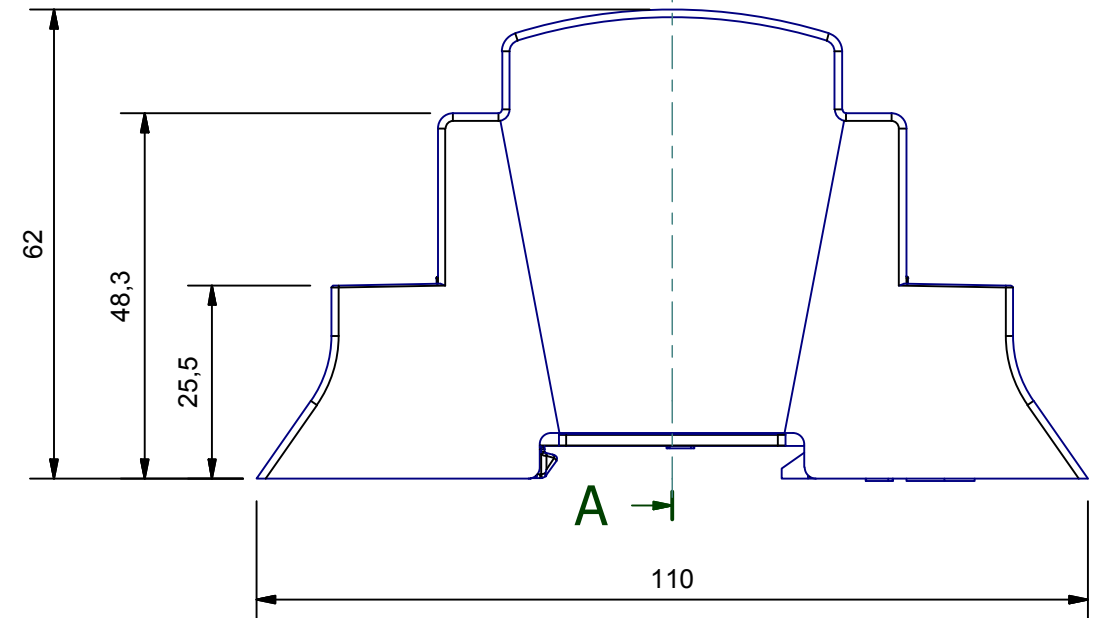


A-A (1:1)



COMPONENTS LIST			
RIF.	Q.TY	DESCRIPTION	CODE
1	1	CORPO CONTENITORE 2M53-A - BODY ENCLOSURE 2M53-A	M-02063
2	1	BASE 2M XT	M-01983
3	1	AGGANCIO MODULBOX - HOOK MODULBOX	M-01900

Da 0,5 a 3	Oltre 3 fino a 6	Oltre 6 fino a 30	Oltre 30 fino a 120	Oltre 120
± 0,1	± 0,1	± 0,2	± 0,3	± 0,5

RESERVED PROPERTY The present drawing cannot be reproduced or communicated to 3d parties, even partially, without the authorization of ITALTRONIC Srl. Italtronic reserves to protect its own rights according to the law.	Dimension in mm	SHEET NR. 1 / 1	DRAWING BY Manual modification are not allowed	GENERAL TOLERANCE UNI EN 22768/1 Media (m)	5	4	3	2	1
					Date: 28/08/2012	Replace nr.	Revision description		
Drawed: Reginato M.	Checked: Dalla Montà D.	Scale:							

Denomination:

Contentore completo modulbox XT 2M53-A

Complete eclosure modulbox XT 2M53-A

ITALTRONIC S.R.L.
 VIA AUSTRIA 25/D 35127
 PADOVA - ITALY
www.italtronic.com

Drawing nr. **M-04049-01**

General revision and added table. 13/06/13 Rigato N.