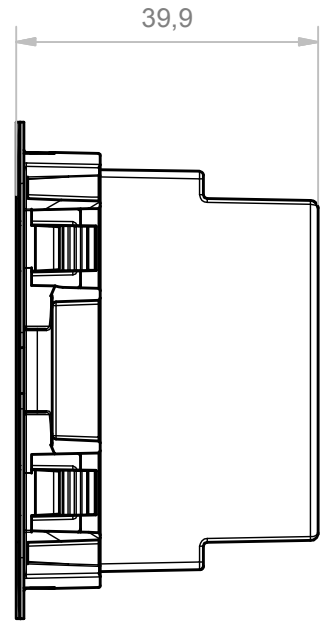
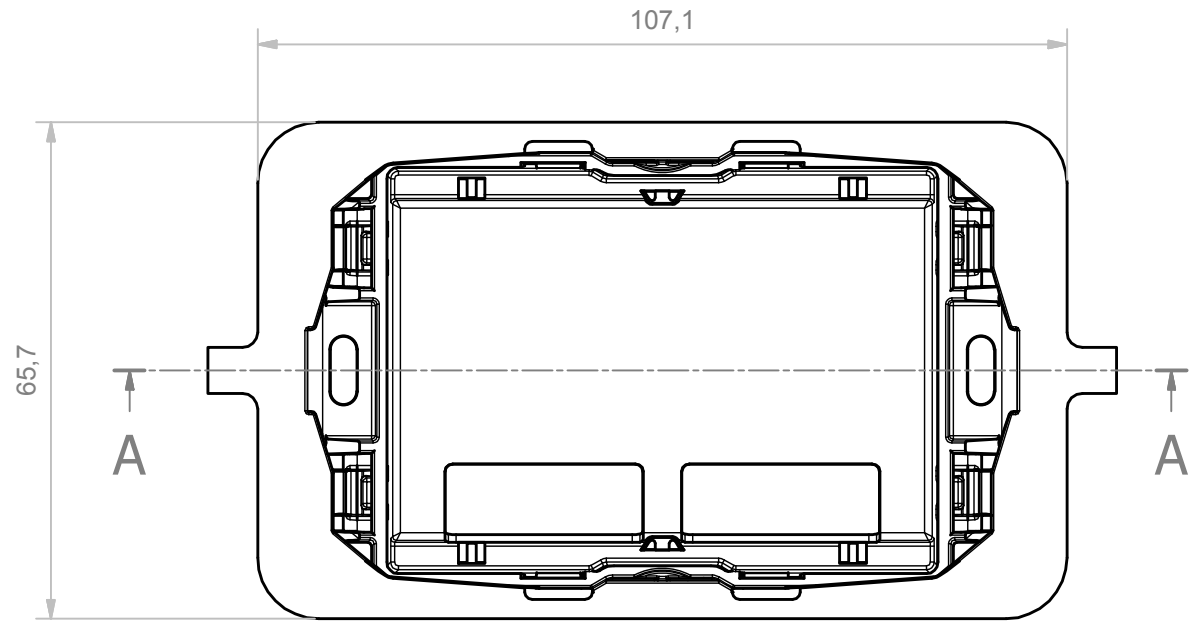
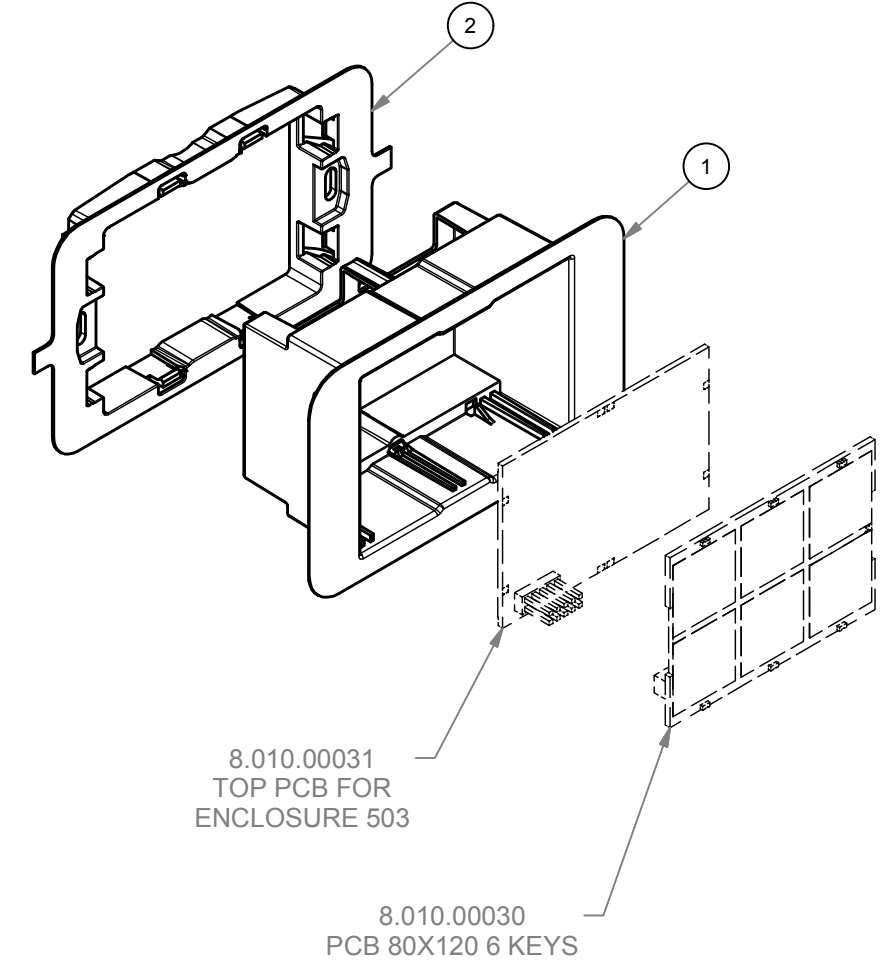
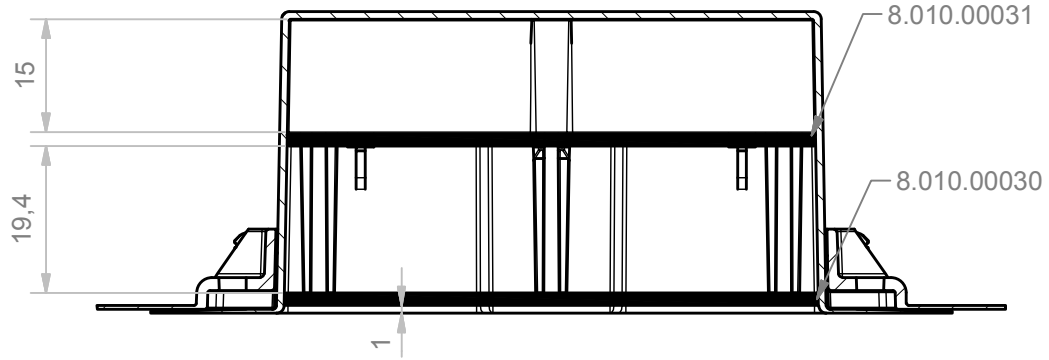


A-A (1:1)



RIF.	Q.TY	DESCRIPTION	DRAWING
1	1	BODY ENCLOSURE 503 H30	2.020.00012
2	1	FRAME FOR ELECTRICAL ENCLOSURE 503 TYPE	2.020.00007

General Tolerance UNI EN 22768/1 Media (m)				
from 0.5 to 3	from 3 to 6	from 6 to 30	from 30 to 120	from 120 to 400
± 0.1	± 0.1	± 0.2	± 0.3	± 0.5
Scale: 1 : 1	Sheet nr.: 1 / 1	Drawn: N.R.	Checked:	Date: 23/08/2018
Dimension in mm		Material:	Weight:	Cod. Mold:
 www.italtronic.com techcare@italtronic.com		Description: KIT CONTENITORE 80X120 503 H30 KIT ENCLOSURE 80X120 503 H30		Rev. 01
Drawing nr. 3.020.00007				

29/08/2018 N.R. Updated cartouche with new code (code passed C-05136-00)

RESERVED PROPERTY: The present drawing cannot be reproduced or communicated to 3rd parties, even partially, without the authorization of ITALTRONIC Srl. Italtronic reserves to protect its own rights according to the law.