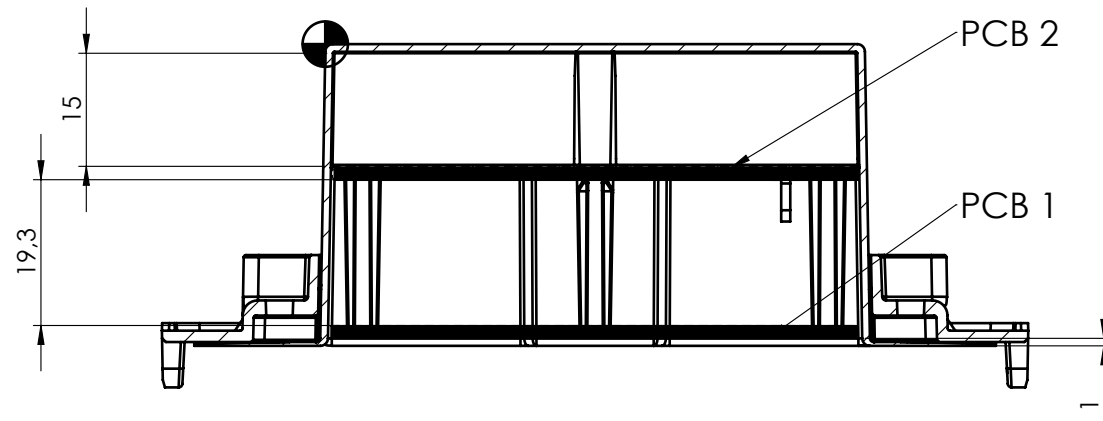
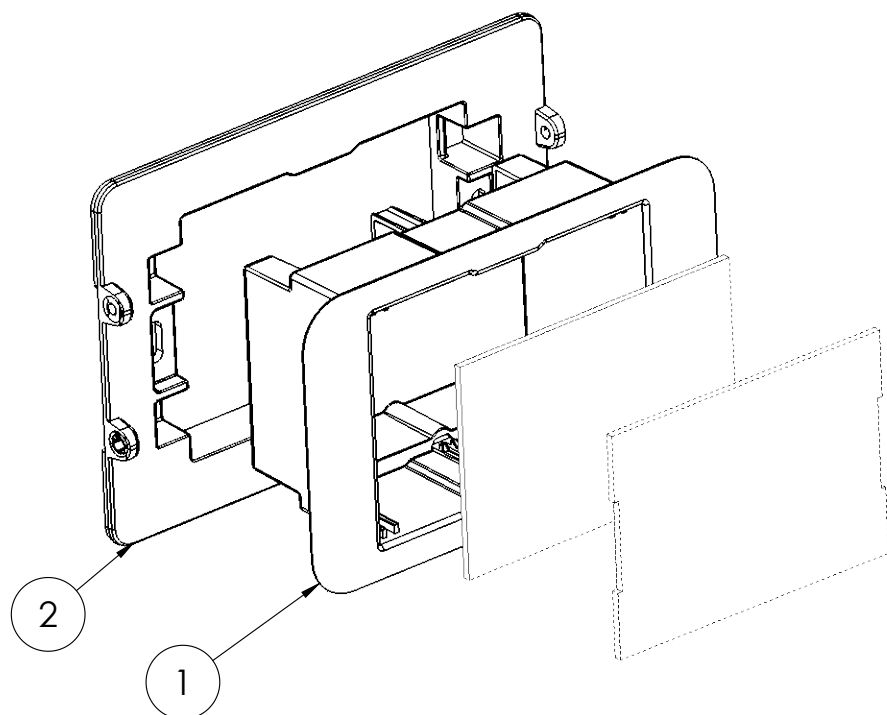
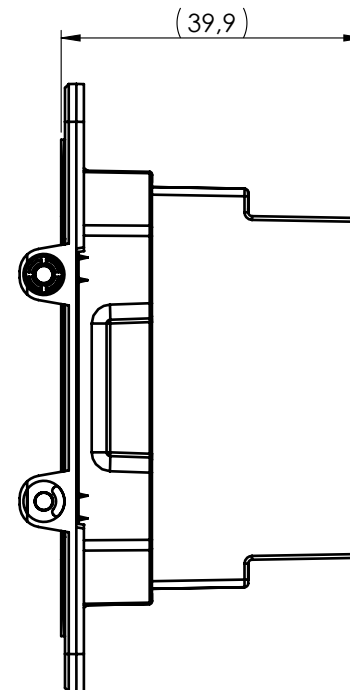
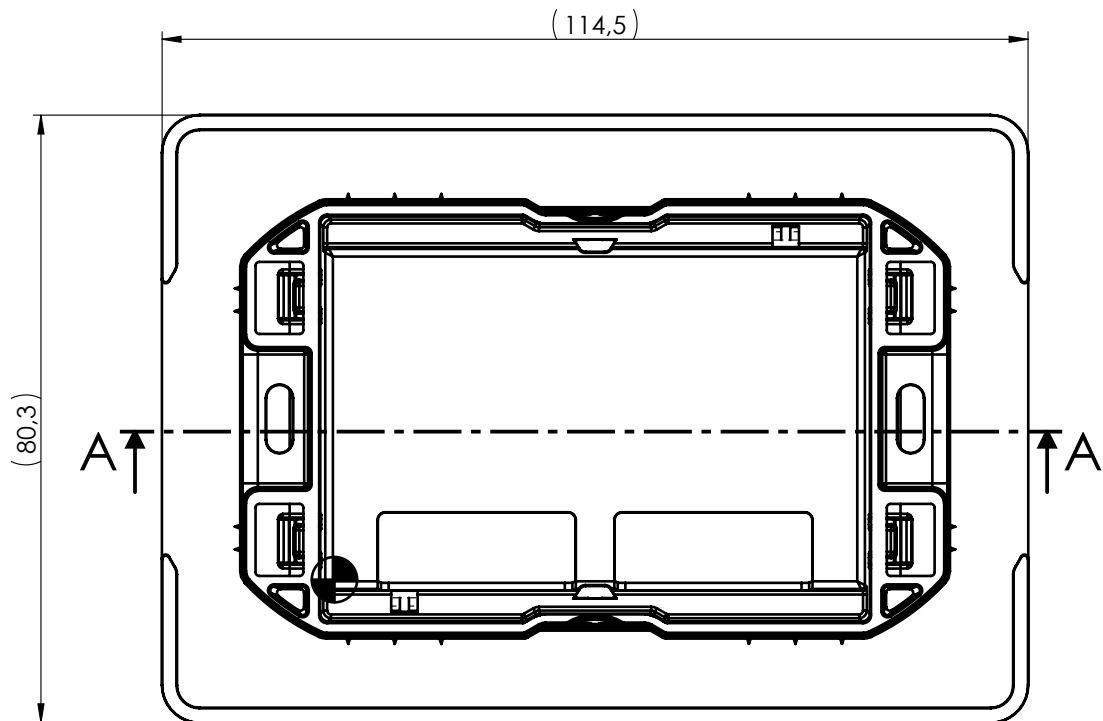


SECTION A-A

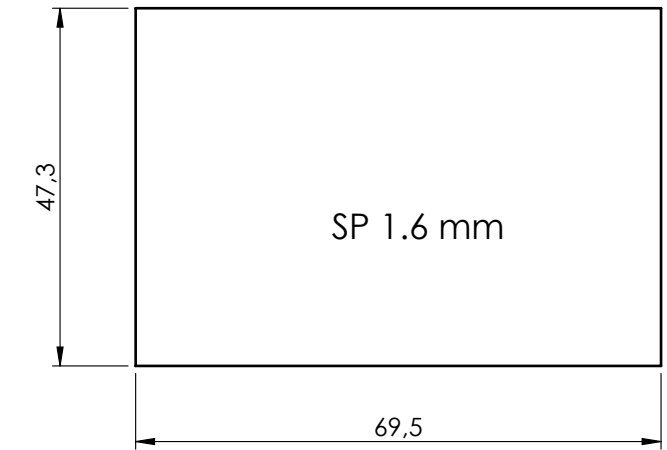


Dimension of PCB:
 PCB 1: 49.5 × 69 ± 0.1 SP 1.6 mm
 PCB 2: 47.3 × 69.5 ± 0.1 SP 1.6 mm

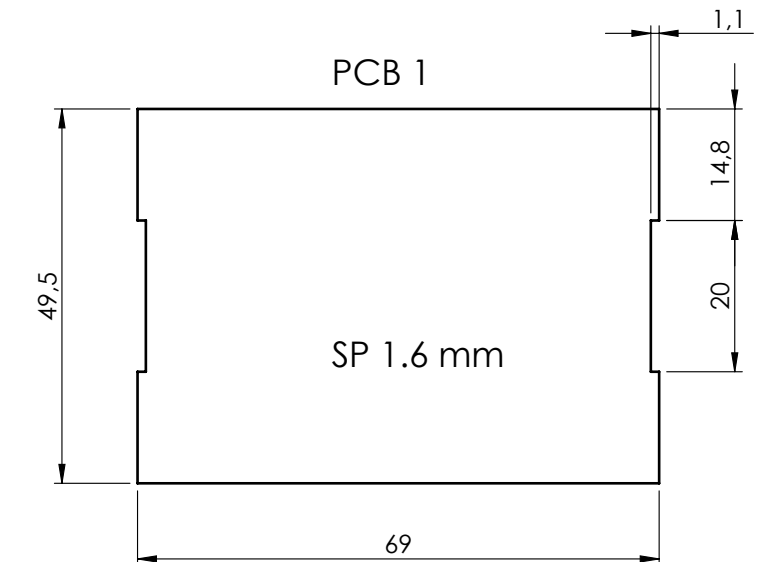


General information:
 - Workpiece zero point for mechanical processing
 - Minimum recommended radius for machining = R1.0 mm

PCB 2



PCB 1



RIF.	Q.TY	DRAWING	DESCRIPTION
1	1	2_020_00012	HOUSING BODY 503 H30
2	1	2_010_00002	ITOUCH BACK FRAME 80X120 FOR BOX 503

General Tolerance UNI EN 22768/1 Media (m)					Sheet:
from 0.5 to 3 ± 0.1	from 3 to 6 ± 0.1	from 6 to 30 ± 0.2	from 30 to 120 ± 0.3	from 120 to 400 ± 0.5	1
Scale: 1:1	Drawed: R.N.	Checked: R.N.	Date: 01/03/2023	Material:	Process:
	The present drawing cannot be reproduced or communicated to 3rd parties, even partially, without the authorization of ITALTRONIC S.p.A. Italtronic reserves to protect its own rights according to the law.			Weight: gr	Cod. Mold: --

 enclosures for electronics italtronic.com		Description: KIT PLACCA POSTERIORE PER SCATOLA ELETTRICA 503 REAR PLATE KIT FOR 503 ELECTRICAL BOX	Drawing nr.: 3_010_00001	Rev.: 00	A3
--	--	--	------------------------------------	-------------	----