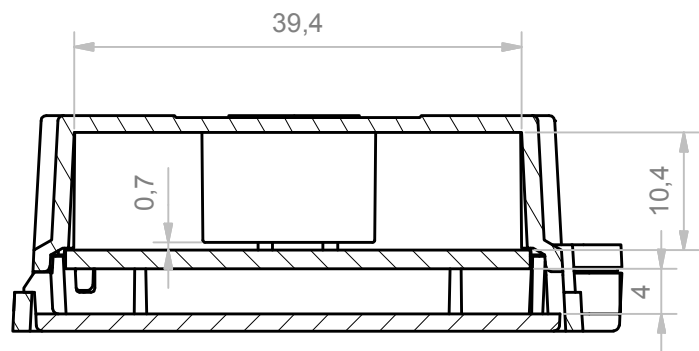
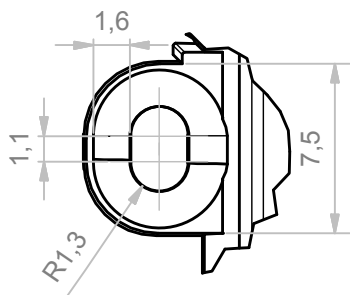


A-A



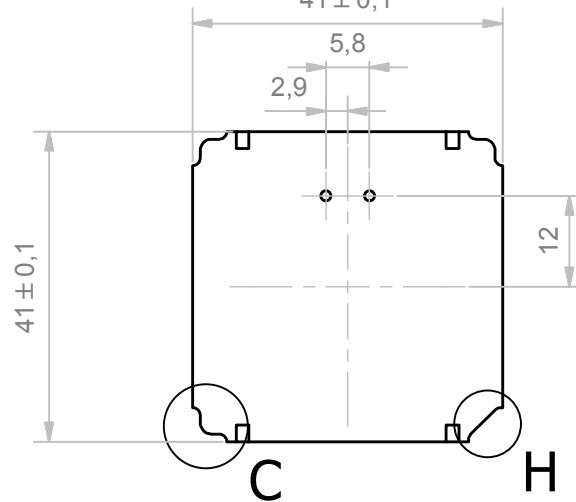
E



PCB

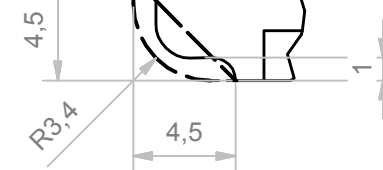
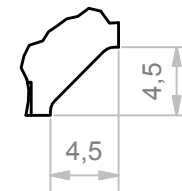
41 ± 0,1

No components zone in the solder side



C

H



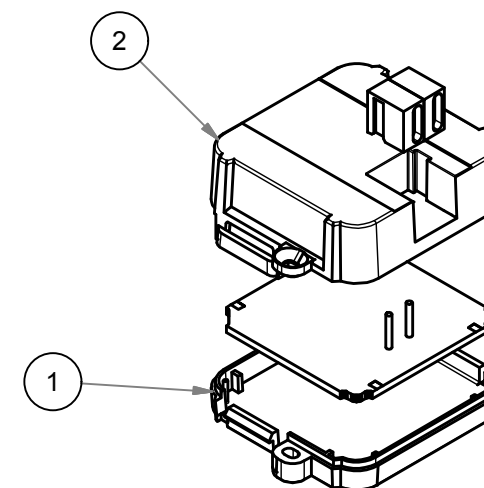
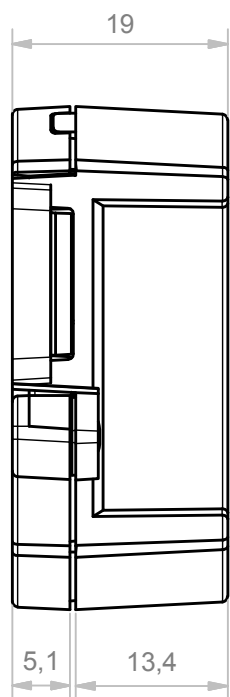
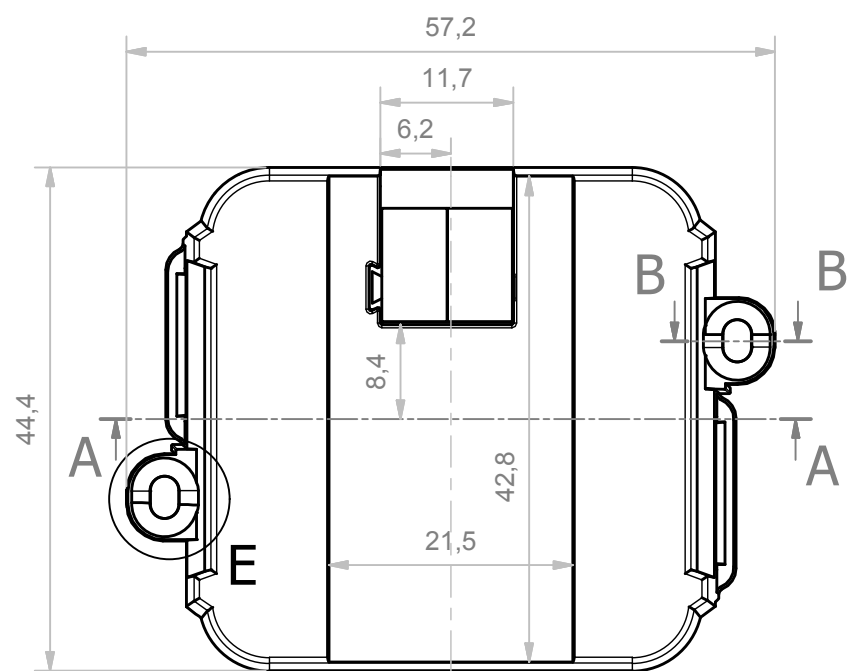
OTHER SOLUTIONS PCB

D

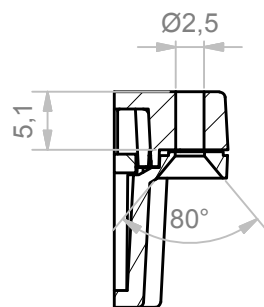
C

B

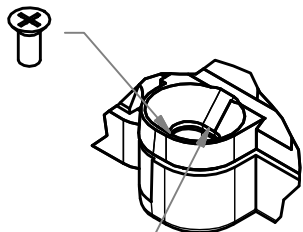
A



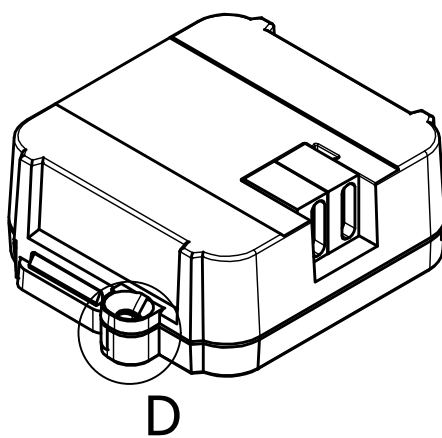
B-B



Self-tapping screws countersunk head
d2.9x6.5 mm



Screws for pressed wood or chipboard
d2.5 mm for dowel fixing to wall



D

COMPONENTS LIST

RIF.	Q.TY	DESCRIPTION	CODE
1	1	BASE CBOX EURO INT D60	C-05899
2	1	COVER CBOX EURO INT D60 H19 KNX	C-06324

Da 0,5 a 3	Oltre 3 fino a 6	Oltre 6 fino a 30	Oltre 30 fino a 120	Oltre 120
± 0,1	± 0,1	± 0,2	± 0,3	± 0,5

RESERVED PROPERTY
The present drawing cannot be reproduced or communicated to 3d parties, even partially, without the authorization of ITALTRONIC Srl. Italtronic reserves to protect its own rights according to the law.

Dimension in mm

SHEET NR. 1 / 1

DRAWING BY Manual modification are not allowed

GENERAL TOLERANCE **UNI EN 22768/1 Media (m)**

Date: 06/11/2015

Replace nr.

Scale:

Drawn: Rigato N. Checked: Dalla Montà D.

Denomination:
CONTENITORE CBOX EURO D60 H19 KNX
ENCLOSURE CBOX EURO D60 H19 KNX

UN PARTNER PER IL FUTURO

ITALTRONIC S.R.L.
VIA AUSTRIA 25/D 35127 PADOVA - ITALY
www.italtronic.com

Drawing nr. **C-06355-00**

5 4 3 2 1

Revision description