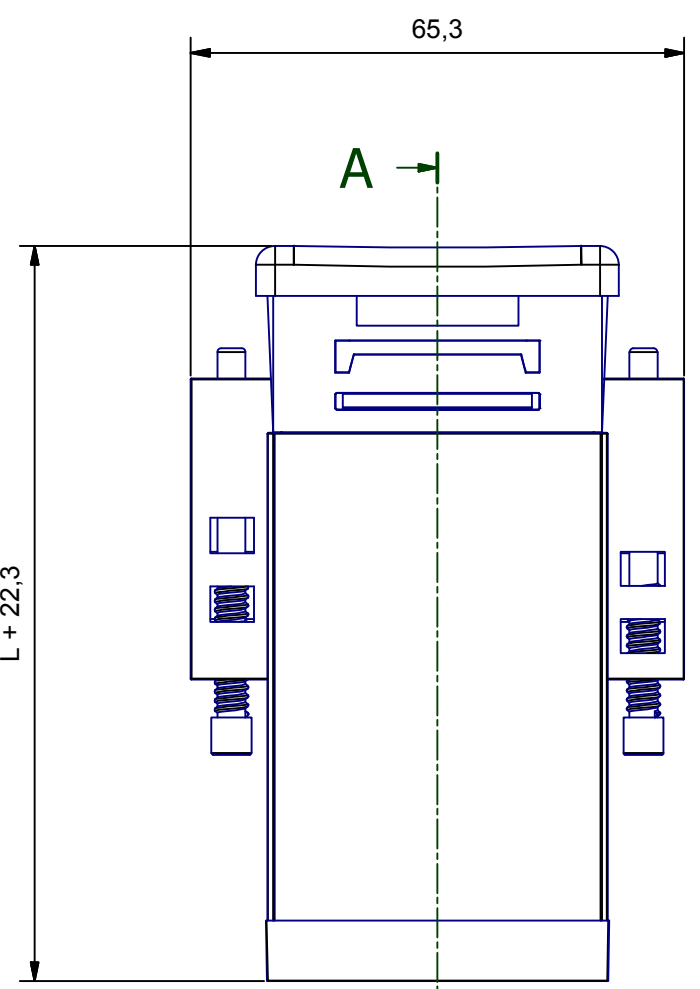
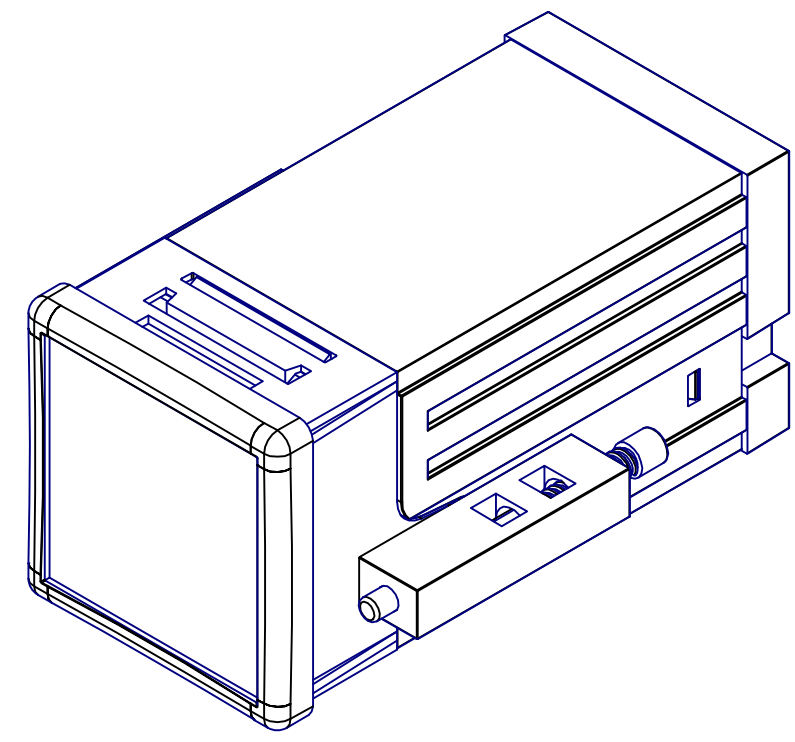
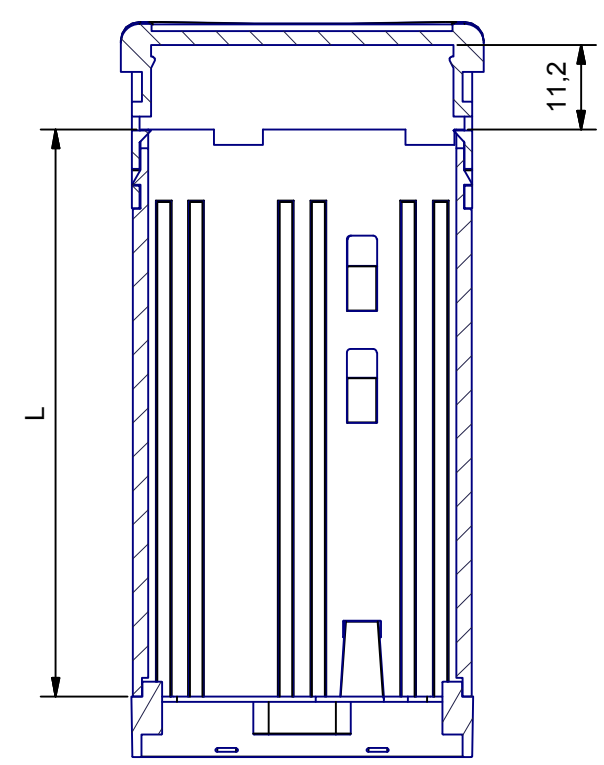


VERSIONS

VERSIONS	L
48X48 XT L57	57 mm
48X48 XT L75	75 mm
48X48 XT L100	100 mm
48X48 XT L124	124 mm
48X48 XT LXXX	104 mm Max



A-A (1 : 1)



COMPONENTS LIST				
RIF.	Q.TY	DESCRIPTION	CODE	
1	1	Corpo cont. 48x48 XT - Body enclosure 48x48 XT	I-01133	
2	2	Agganci in plastica INCABOX - Plastic fixing INCABOX	I-00769	
3	1	Cornice anteriore 48x48 XT - Front frame 48x48 XT	I-01249	
4	1	Cornice post. 48x48 - Rear frame 48x48	I-00370	
Da 0,5 a 3		Oltre 3 fino a 6	Oltre 6 fino a 30	Oltre 30 fino a 120
± 0,1		± 0,1	± 0,2	± 0,3
Oltre 120		± 0,5		

RESERVED PROPERTY The present drawing cannot be reproduced or communicated to 3d parties, even partially, without the authorization of ITALTRONIC Srl. Italtronic reserves to protect its own rights according to the law.	Dimension in mm	SHEET NR.	DRAWING BY	GENERAL TOLERANCE
		1 / 1	Manual modification are not allowed	UNI EN 22768/1 Media (m)
Drawn: Rigato N.	Checked: Dalla Montà D.	Date: 10/06/2013	Replace nr.	Revision description

Denomination:

Contenitore completo INCABOX 48x48 XT

Complete enclosure INCABOX 48x48 XT

ITALTRONIC S.R.L.
 VIA AUSTRIA 25/D 35127
 PADOVA - ITALY
www.italtronic.com

Drawing nr.
I-04809-00

5 4 3 2 1