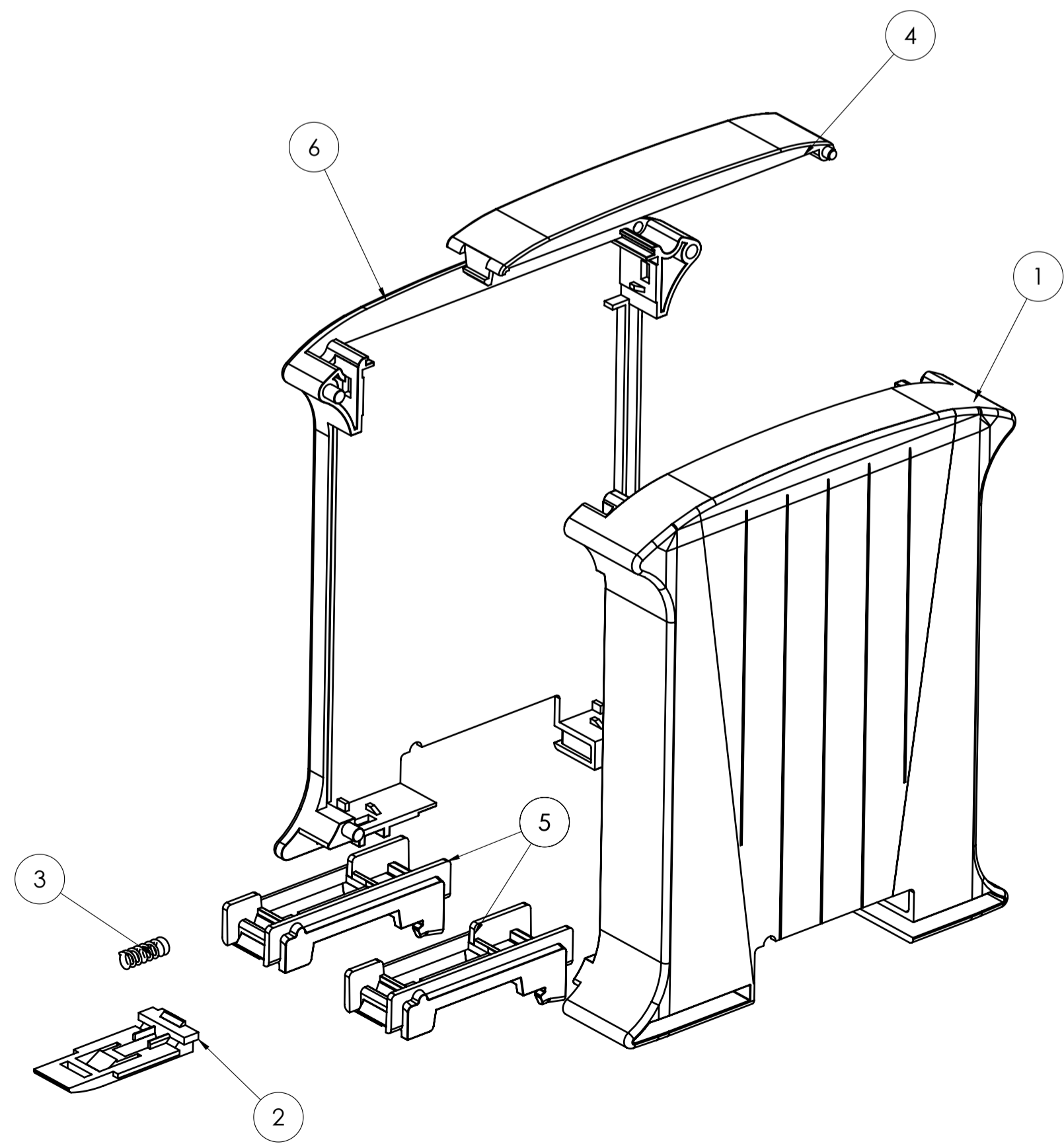
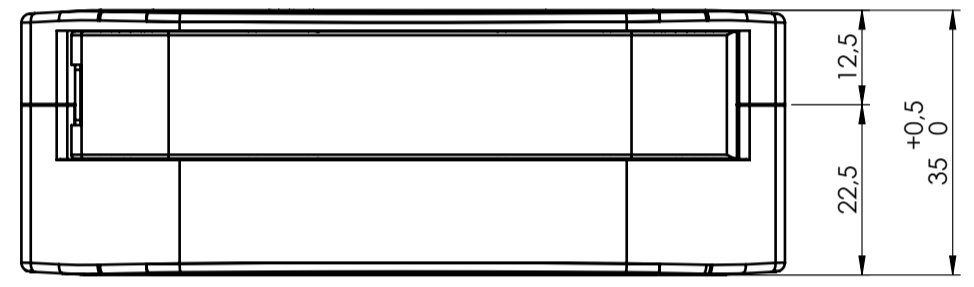
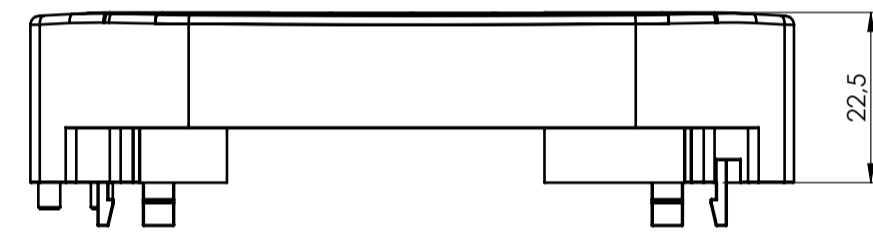
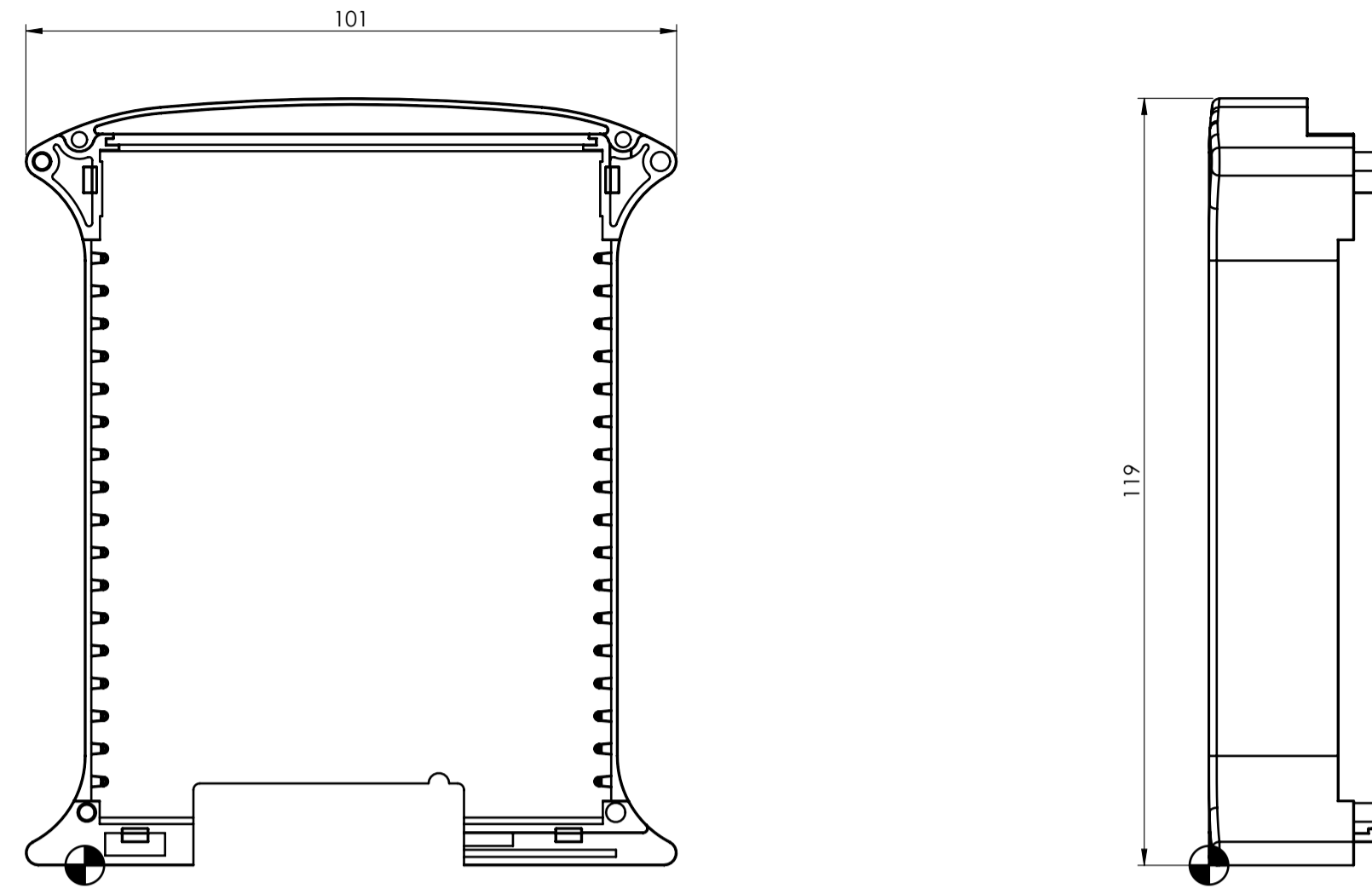


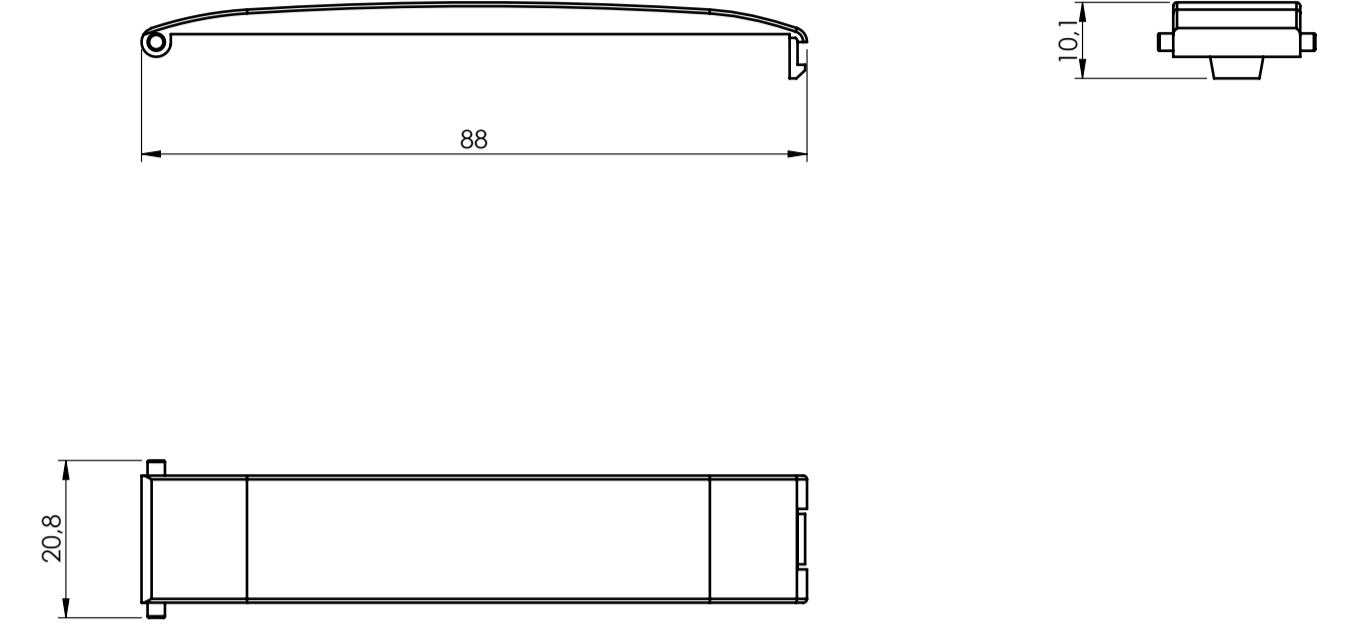
SECTION A-A



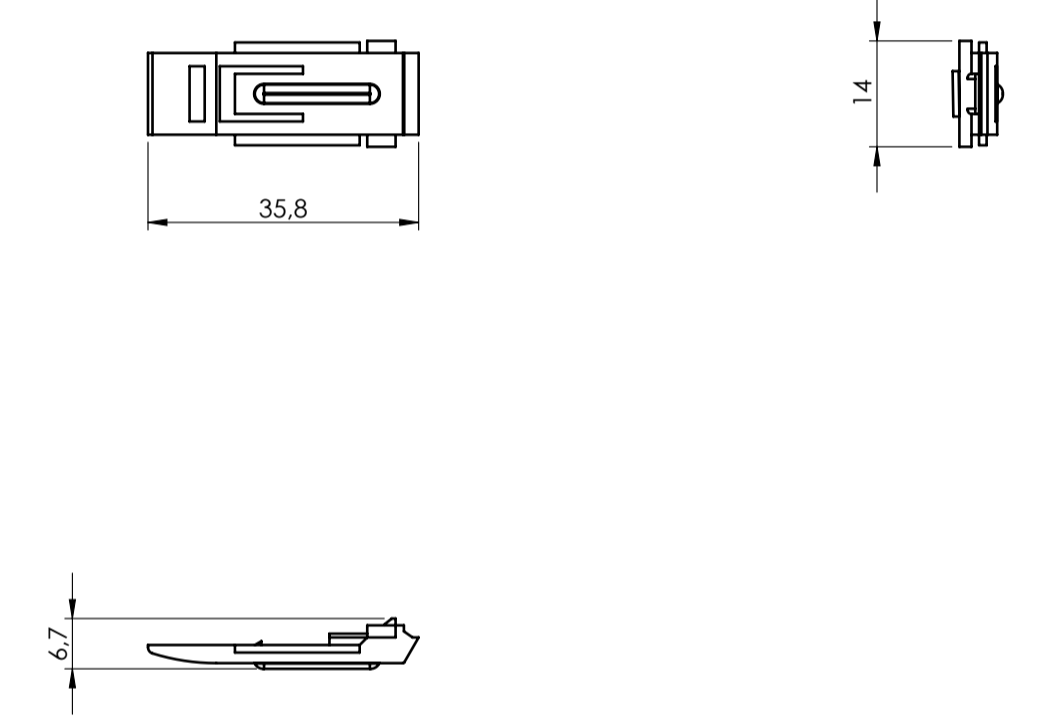
COVER RAILBOX



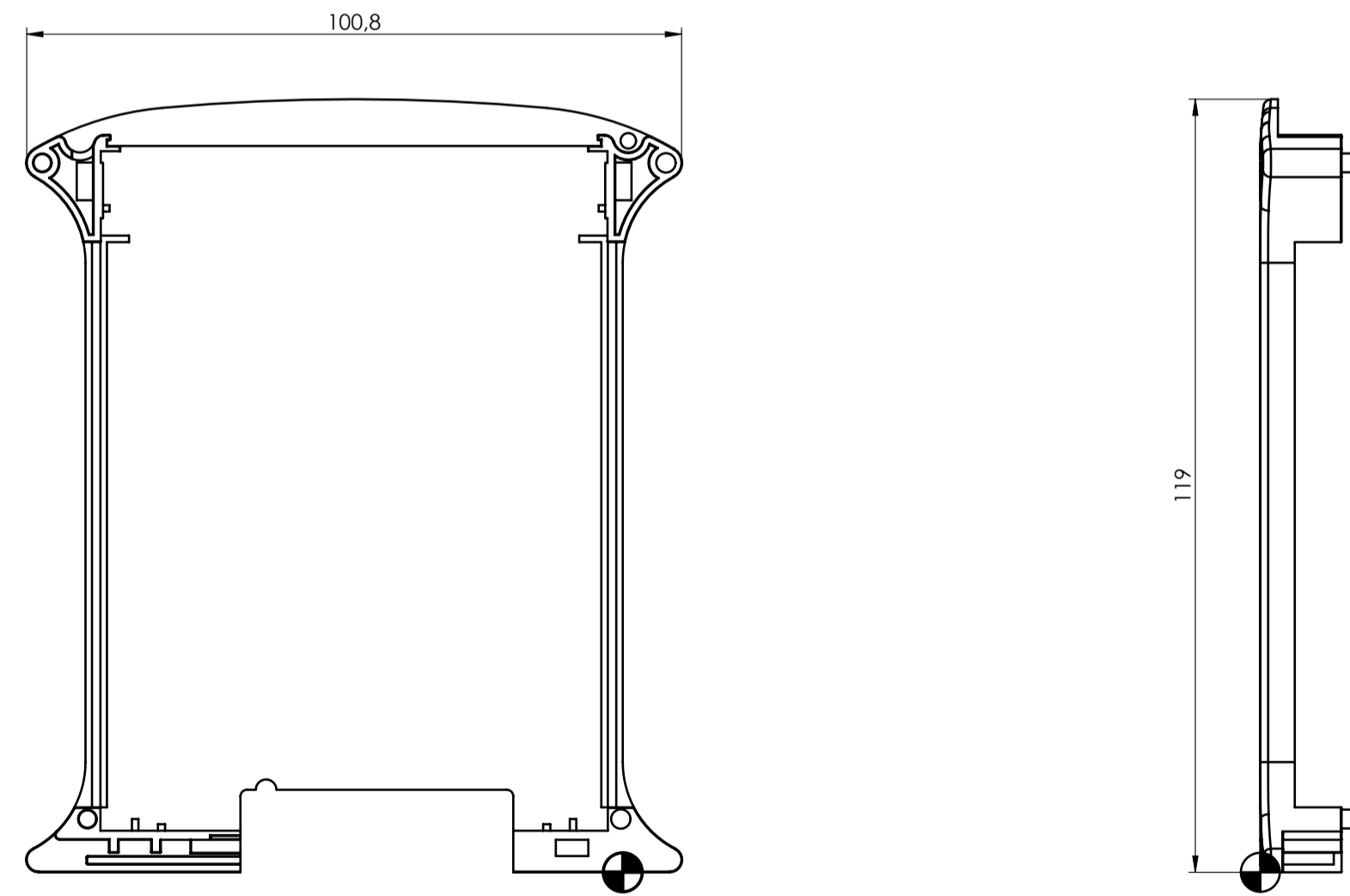
HINGED PANEL



HOOK

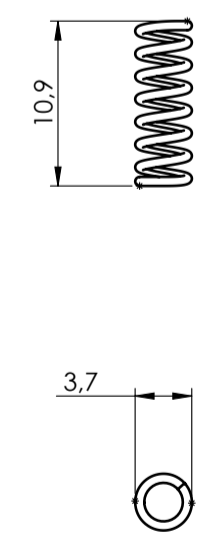


BASE RAILBOX



SPRING

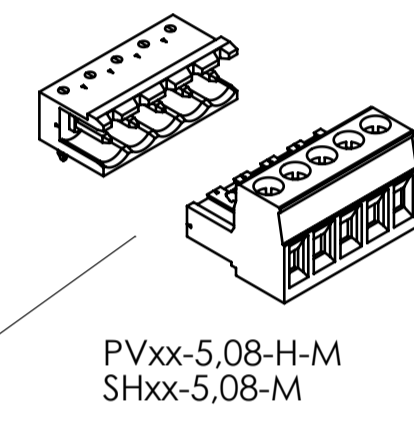
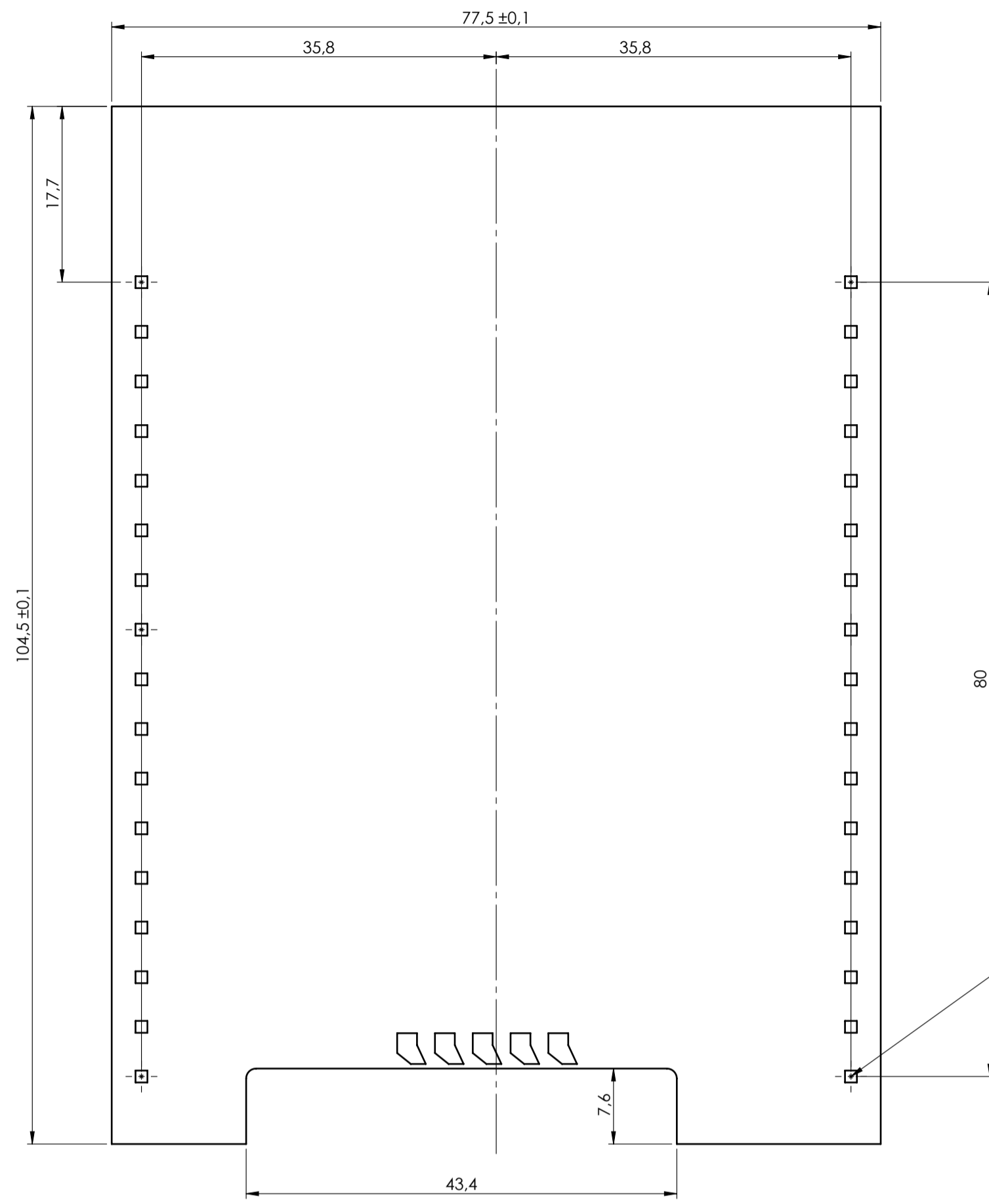
2:1



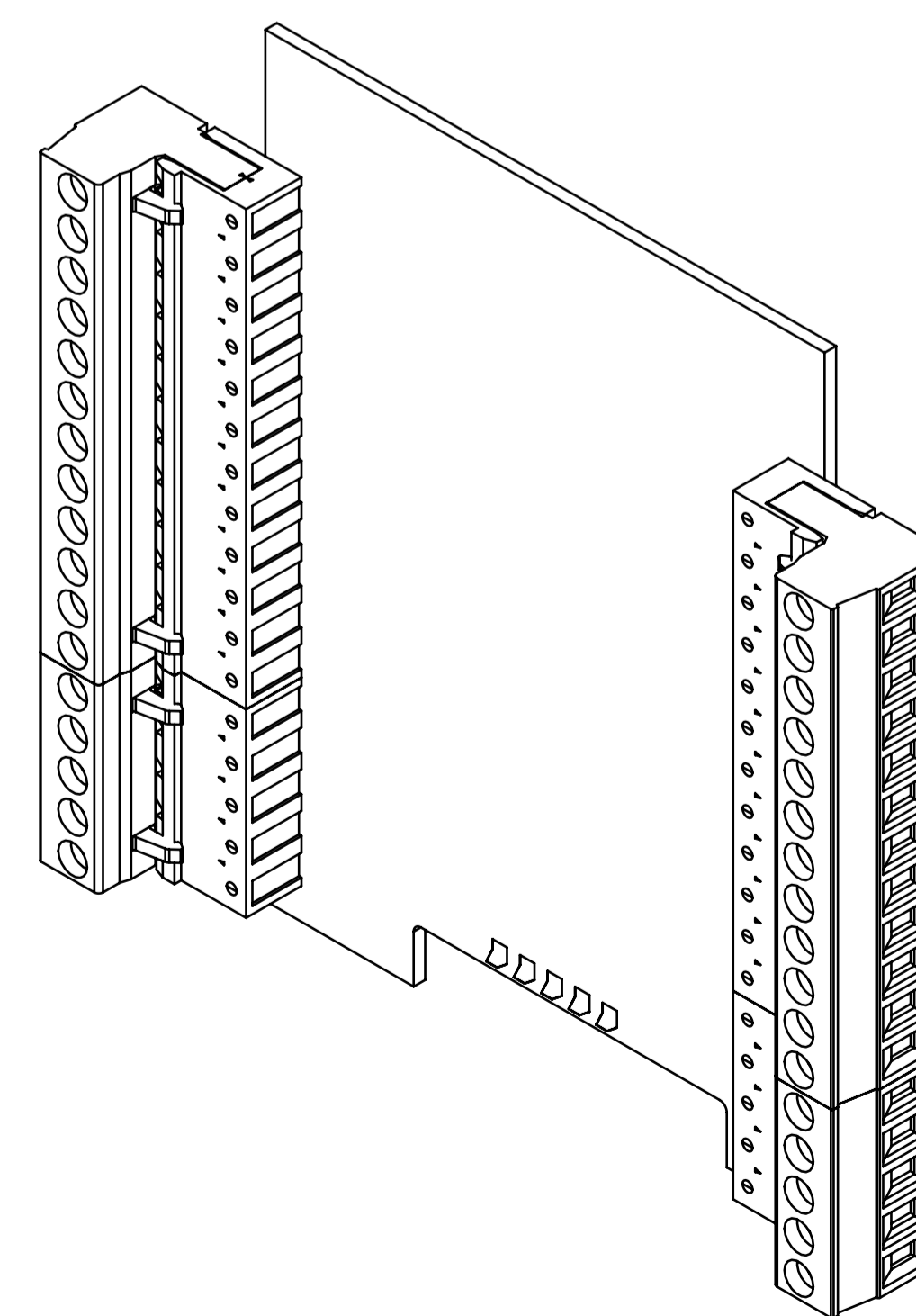
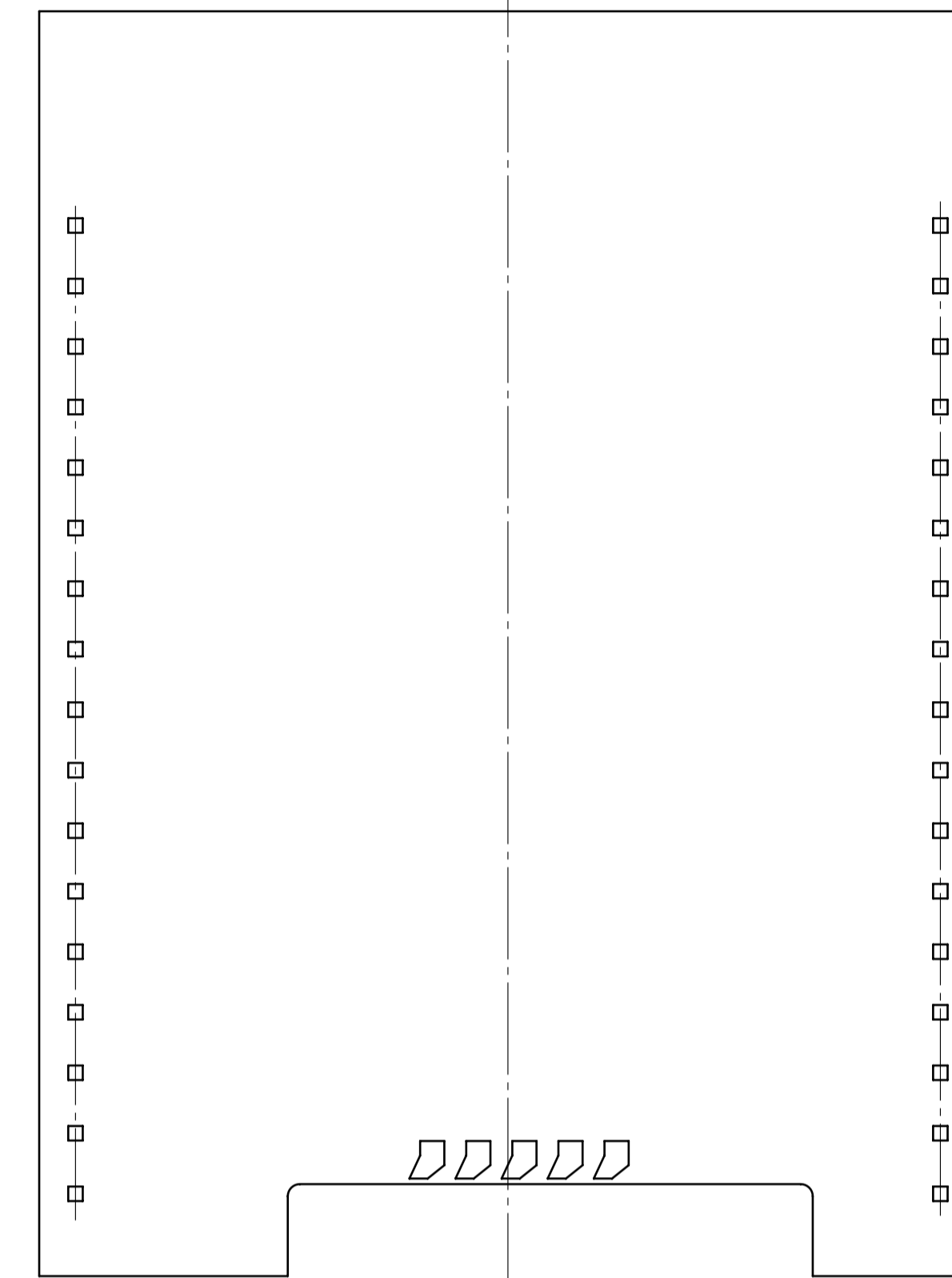
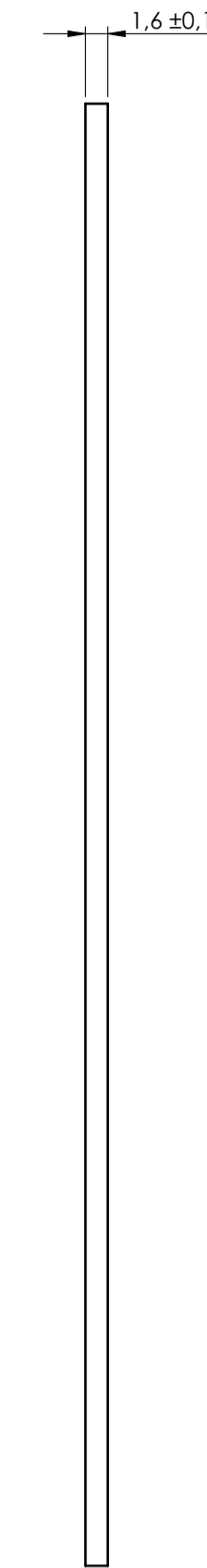
General information:
 ● Workpiece zero point for mechanical processing
 - Minimum recommended radius for machining = R1.0 mm
 - Mounting rail like EN 60715: TH 35-7.5 or TH 35-15
 - Recommended PCB outline on www.italtronic.com

REF.	Q.TY	DRAWING	DESCRIPTION
1	1	2_110_00019	COVER RAILBOX STANDARD 22.5 MM BUS
2	1	2_110_00010	HOOK RAILBOX FOR CONNECTION BUS
3	1	2_110_00011	SPRING FOR HOOK RAILBOX
4	1	2_110_00072	FRONT HINGED TRANSPARENT PANEL 17 MM
5	2	2_110_00009	ACCESSORY BUS 17.5 MM
6	1	2_110_00006	BASE RAILBOX STANDARD 12.5 MM BUS

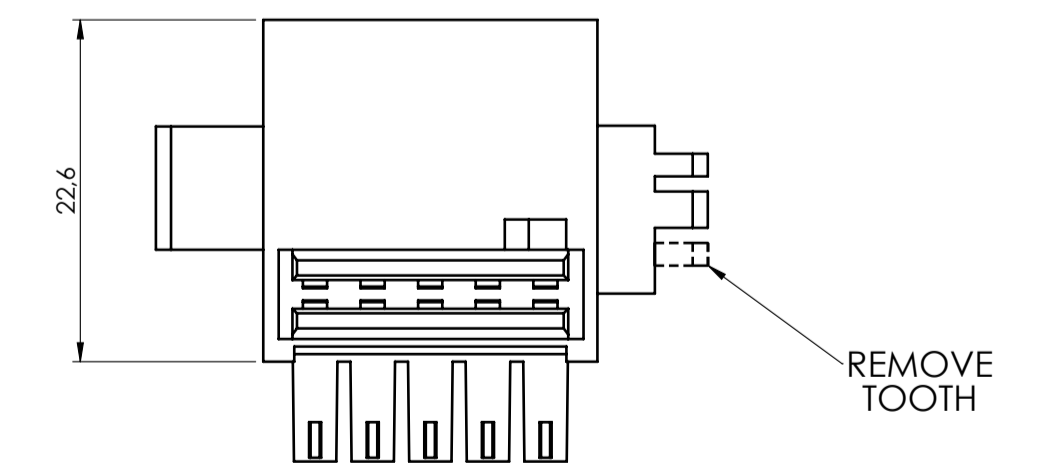
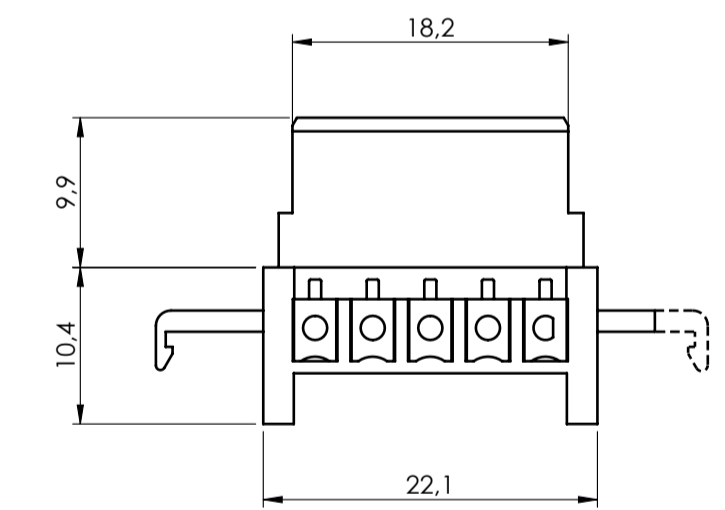
General Tolerances	UNI EN 22768/1	Media [mm]	Sheet:
from 0.5 to 3	from 3 to 6	from 6 to 30	from 30 to 120
±0.1	±0.1	±0.2	±0.5
Scale:	Drawn:	Checked:	Date:
1:1	M.S.	R.N.	21/11/2023
Dimension in mm	Replaces the:	Derived from:	Weight:
	R-03448-00	--	gr
Description:		Cod. Mold:	
KIT RAILBOX STANDARD PLUG-IN VERTICAL 35 MM BUS		--	
KIT RAILBOX STANDARD PLUG-IN VERTICAL 35 MM BUS		--	
Drawing by:		Rev.:	
italtronic.com		3_110_00005	
		00 A1	



PVxx-5.08-H-M
SHxx-5.08-M



CONNECTOR TBUS COMPATIBLE



Italtronic s.r.l. does not provide the TBUS connector but only the predisposition of the enclosure.

General Tolerance IIR EN 22768/1 Media [m]				Sheet:	
from 0.5 to 3 ± 0.1	from 3 to 6 ± 0.1	from 6 to 30 ± 0.2	from 30 to 120 ± 0.3	from 120 to 400 ± 0.5	PCB
Scale: 1:1	IM:	Drawn: M.S.	Checked: R.N.	Date: 21/11/2023	Process:
Dimension in mm		Replaces the: R-03448-00	Derived from:	Weight: gr	Cod. Mod:
Description:		KIT RAILBOX STANDARD PLUG-IN VERTICAL 35 MM BUS KIT RAILBOX STANDARD PLUG-IN VERTICAL 35 MM BUS			
Drawing IT:		3_110_00005		Rev.: 00 A1	
italtronic enclosures for electronics italtronic.com					