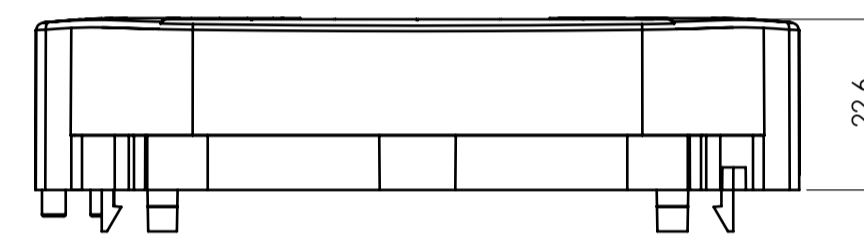
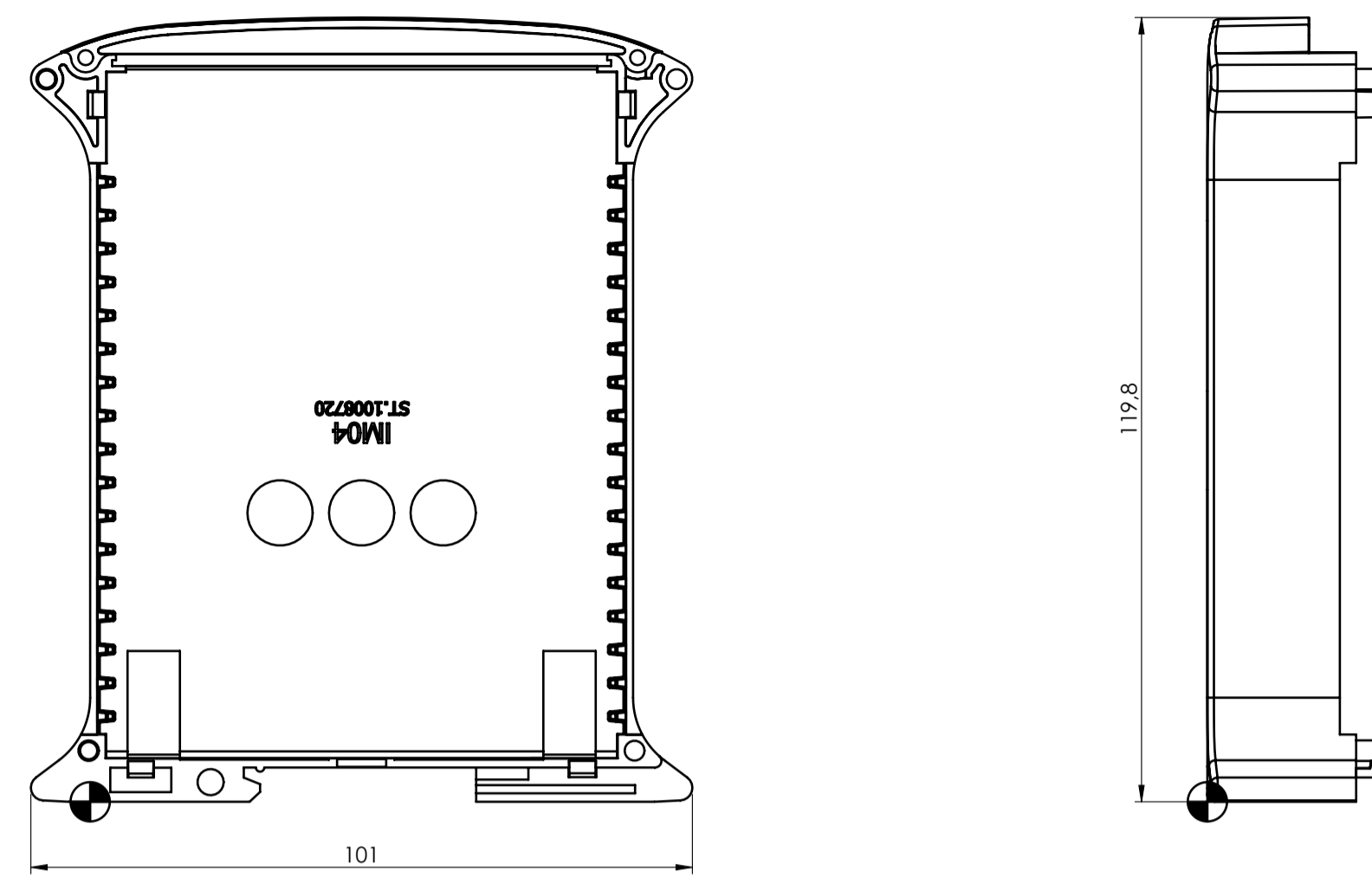
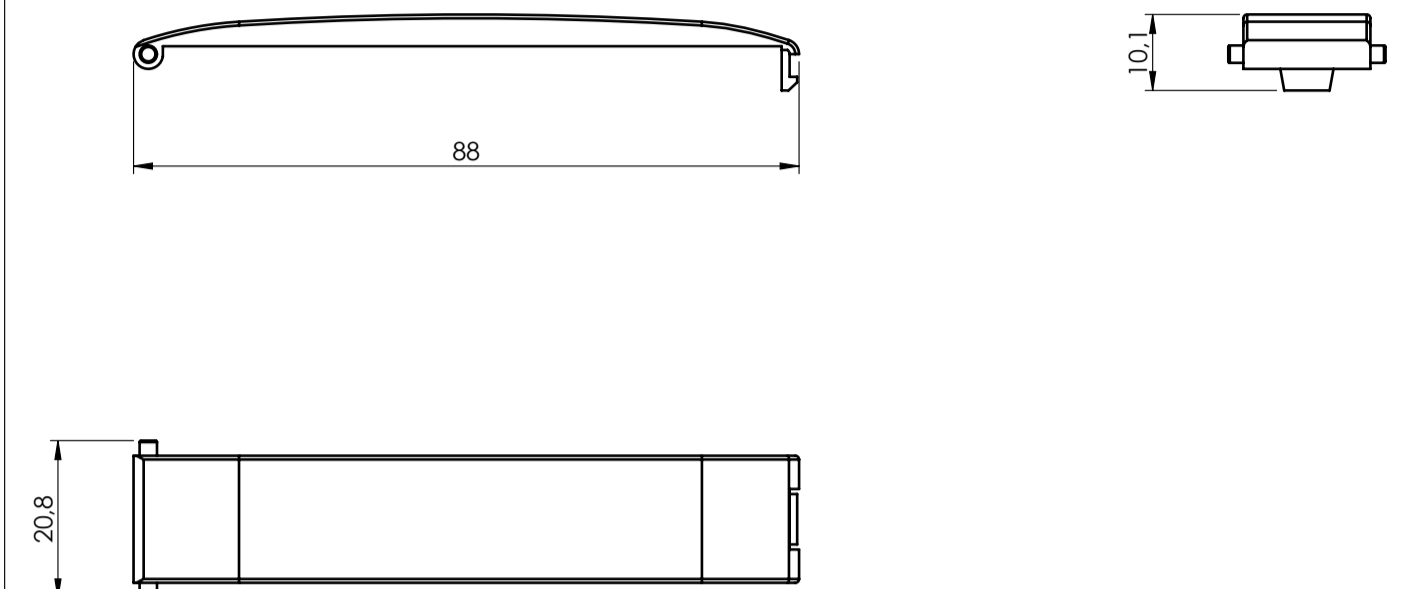


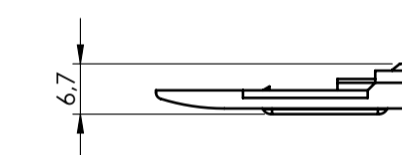
COVER RAILBOX



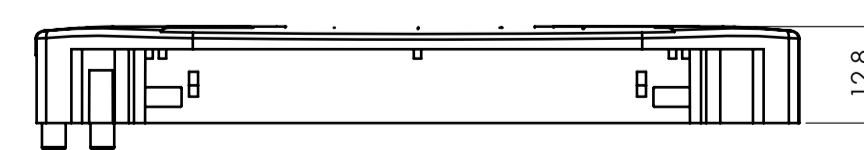
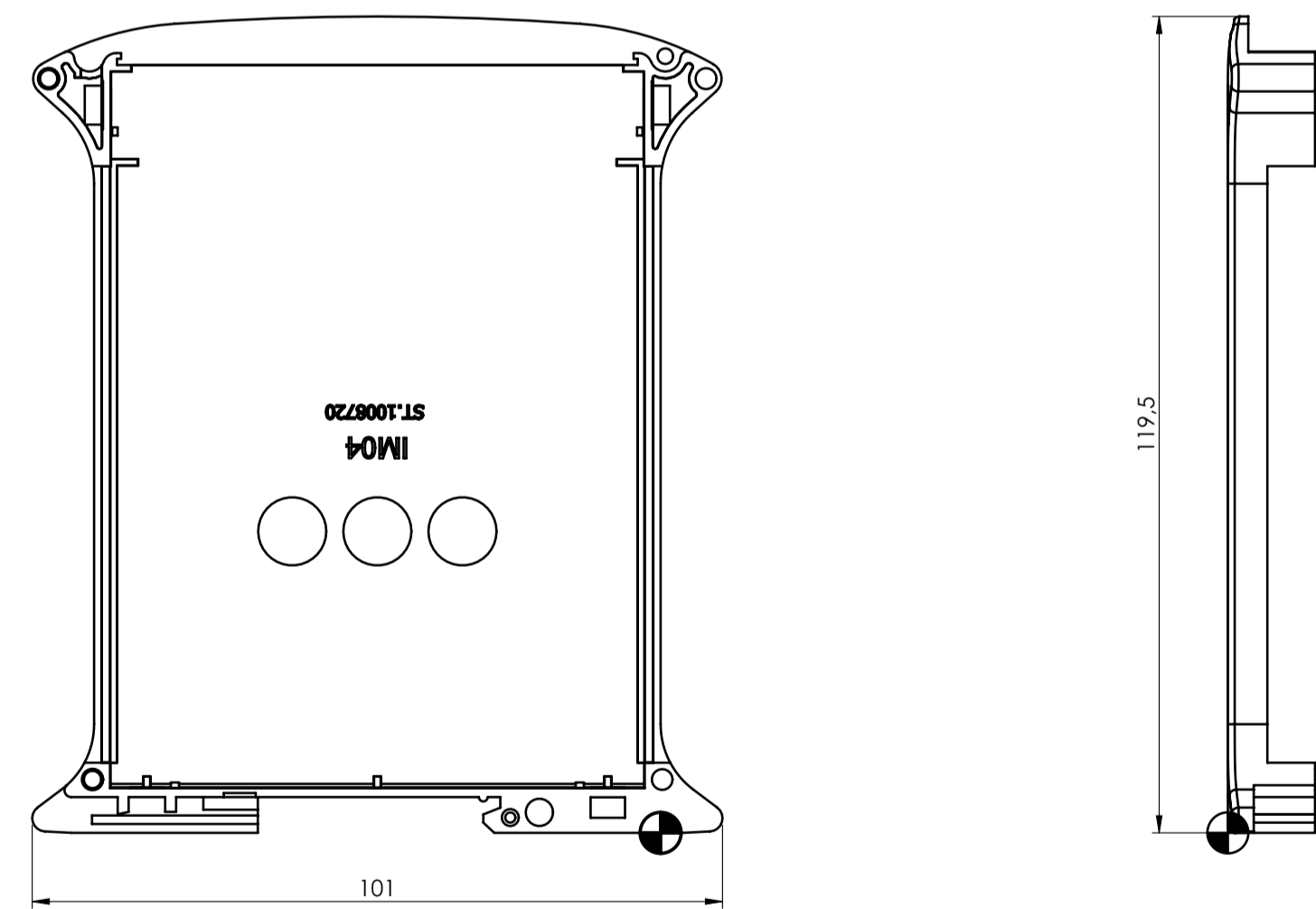
HINGED PANEL



HOOK

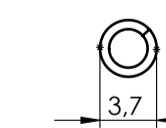
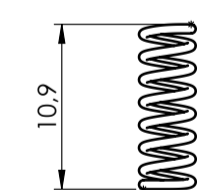


BASE



SPRING

2:1



General information:
 ● Workpiece zero point for mechanical processing
 - Minimum recommended radius for machining = R1.0 mm
 - Mounting rail like EN 60715: TH 35-15
 - Recommended PCB outline on www.italtronic.com

REF.	Q.TY	DRAWING	DESCRIPTION
1	1	2_110_00054	BASE RAILBOX VERTICAL 12.5 MM
2	1	2_110_00056	COVER RAILBOX STANDARD 22.5 MM - 2017
3	1	2_110_00032	HOOK RAILBOX
4	1	2_110_00072	FRONT HINGED TRANSPARENT PANEL 17 MM
5	1	2_110_00011	SPRING FOR HOOK RAILBOX

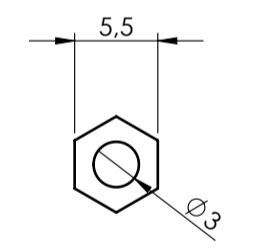
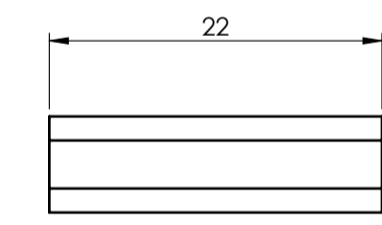
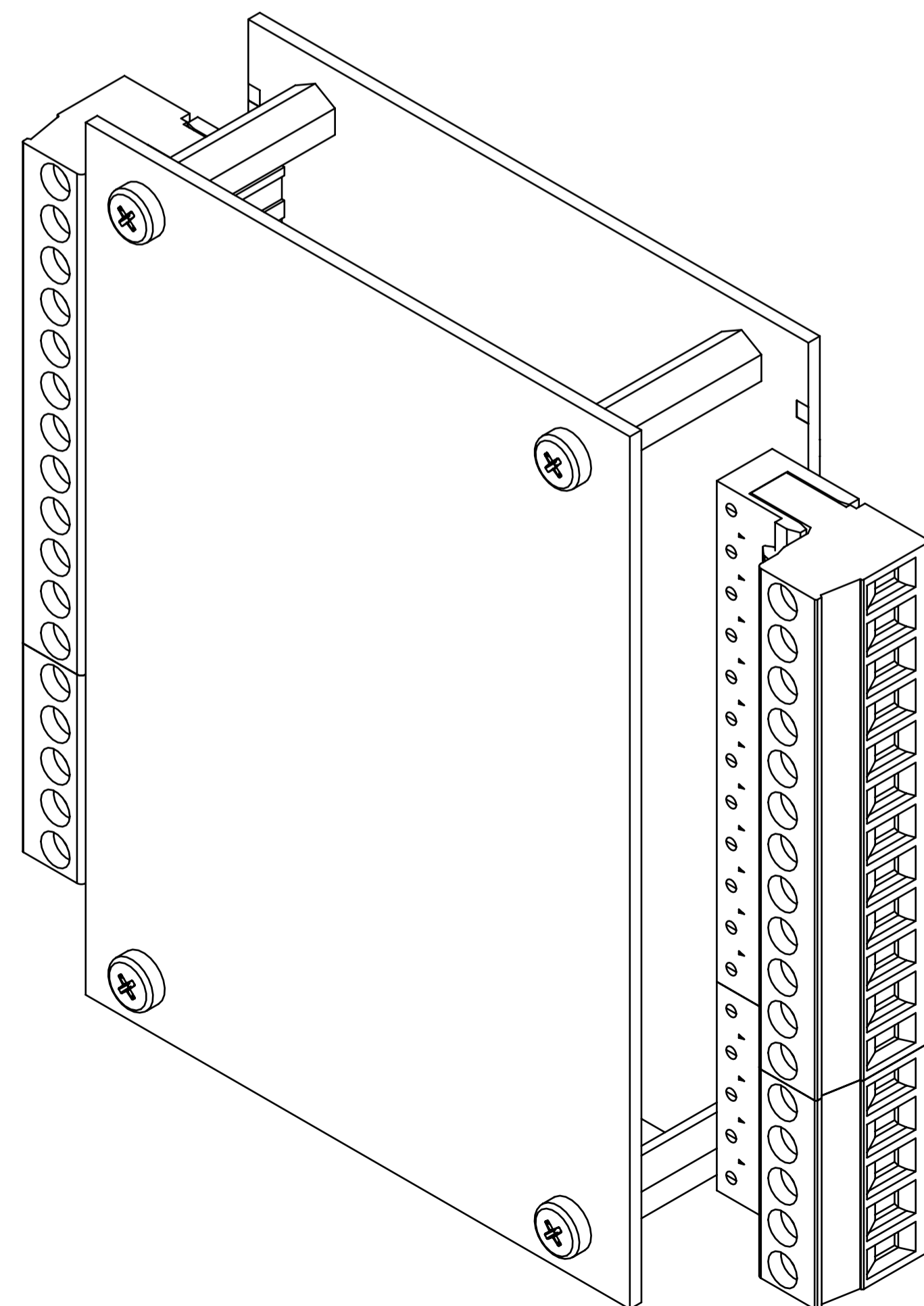
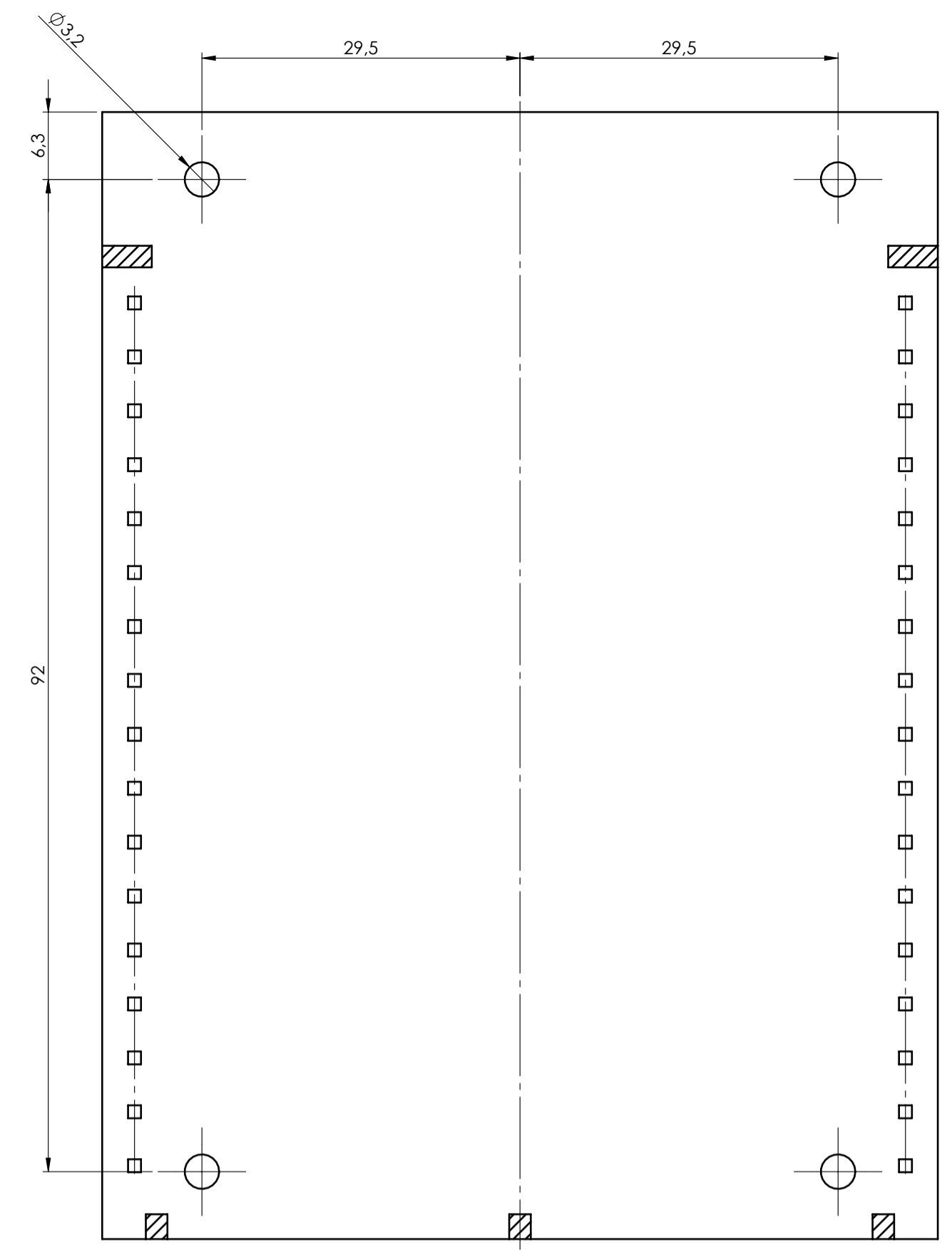
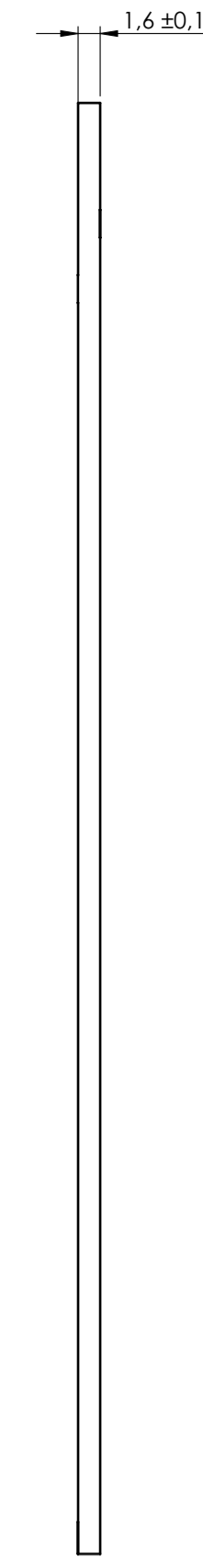
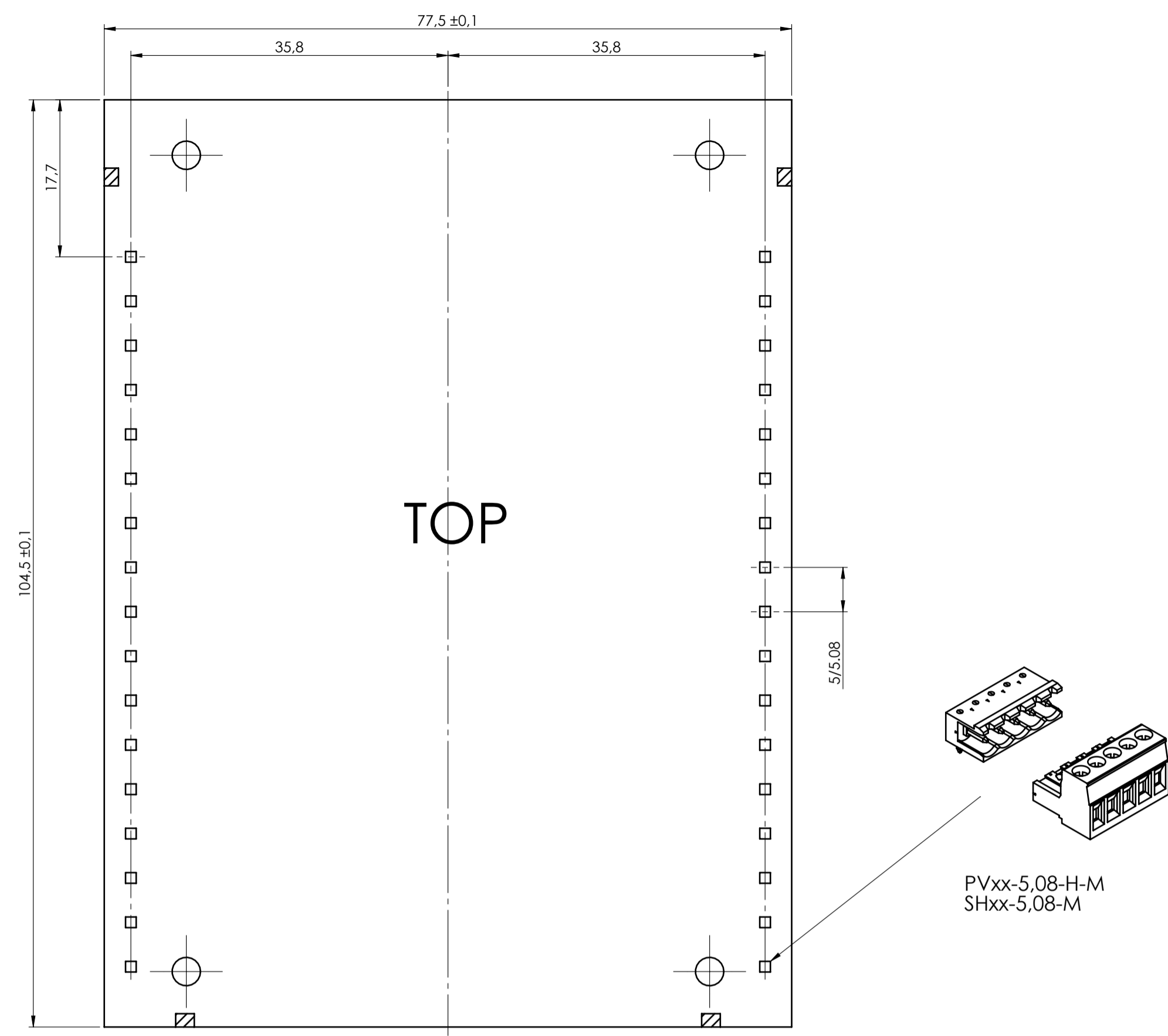
Dimension in mm	from 0.5 to 3	from 3 to 6	from 6 to 30	from 30 to 120	from 120 to 400	Sheet
General Tolerances UNI EN 22268/1 Medio [mm]	±0.1	±0.1	±0.2	±0.3	±0.5	1

Scale:	IM:	Drawn:	Checked:	Date:	Material:	Process:
1:1	--	M.S.	R.N.	21/11/2023	--	--

Replaces the:	Derived from:	Weight:	Cod. Mold:
R-03444-00	--	gr	--

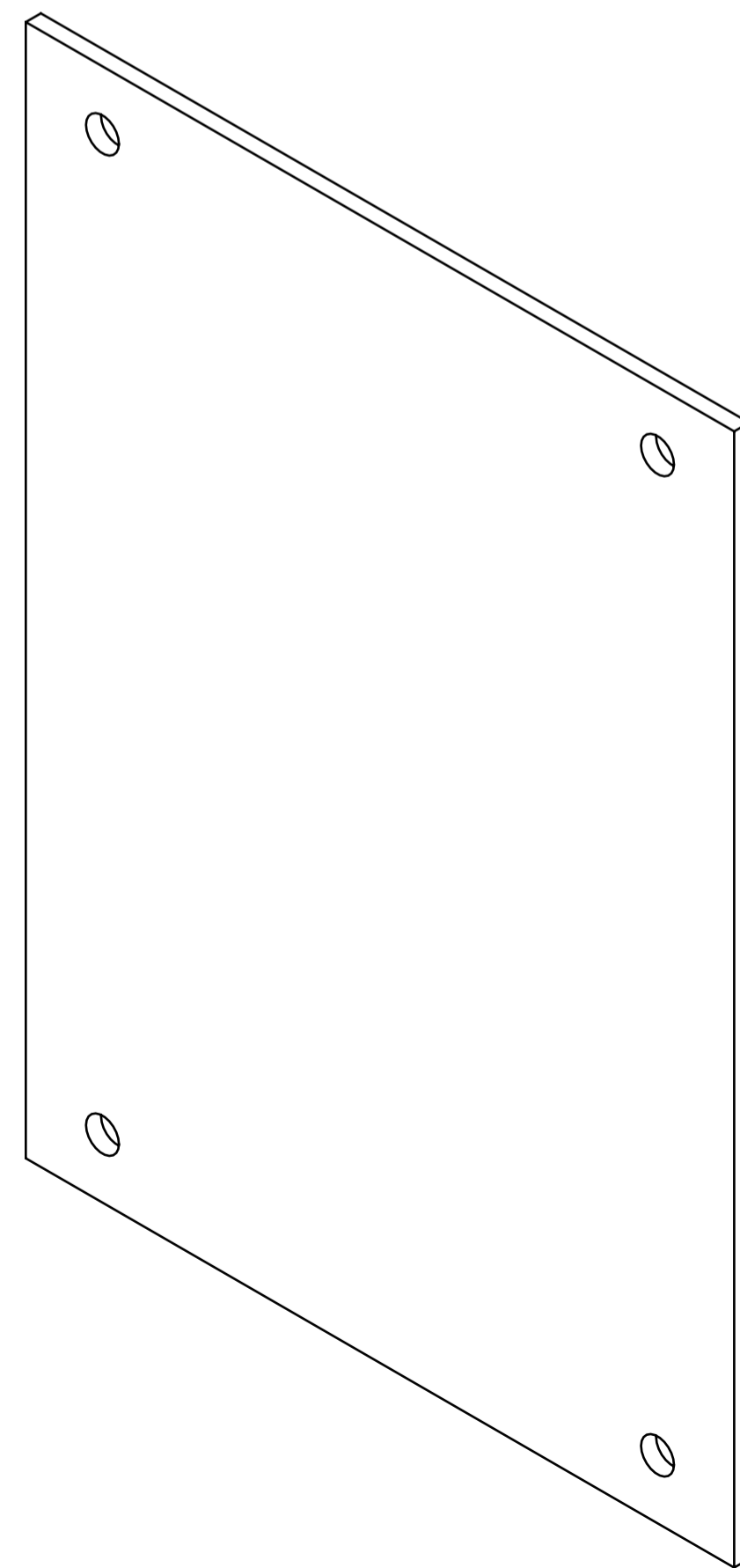
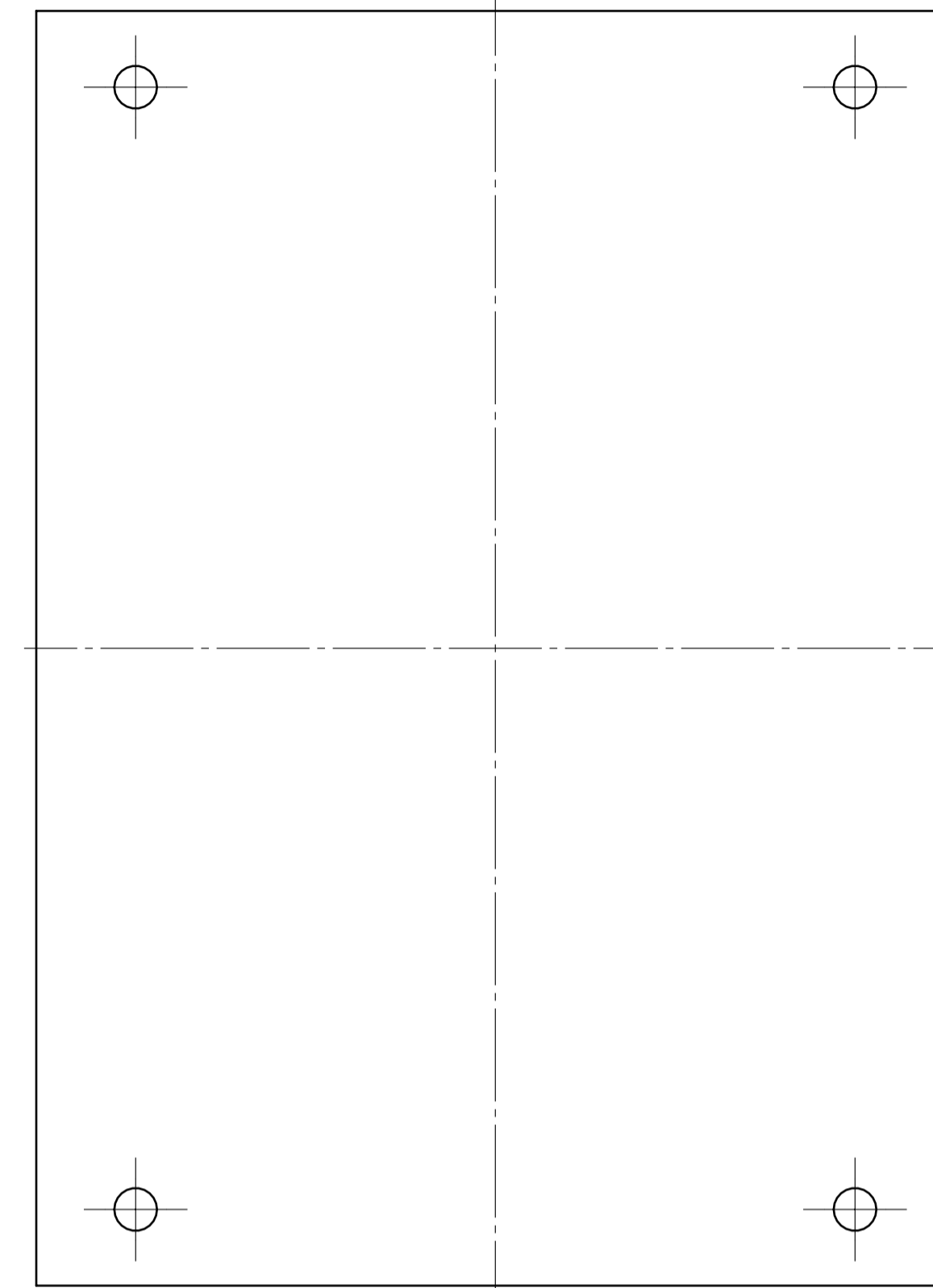
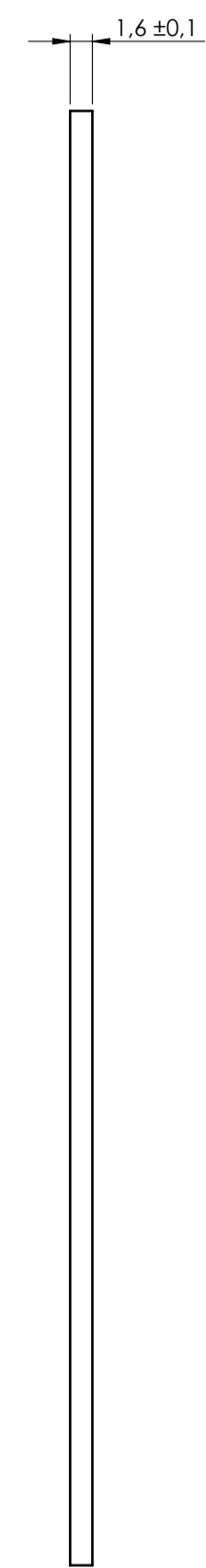
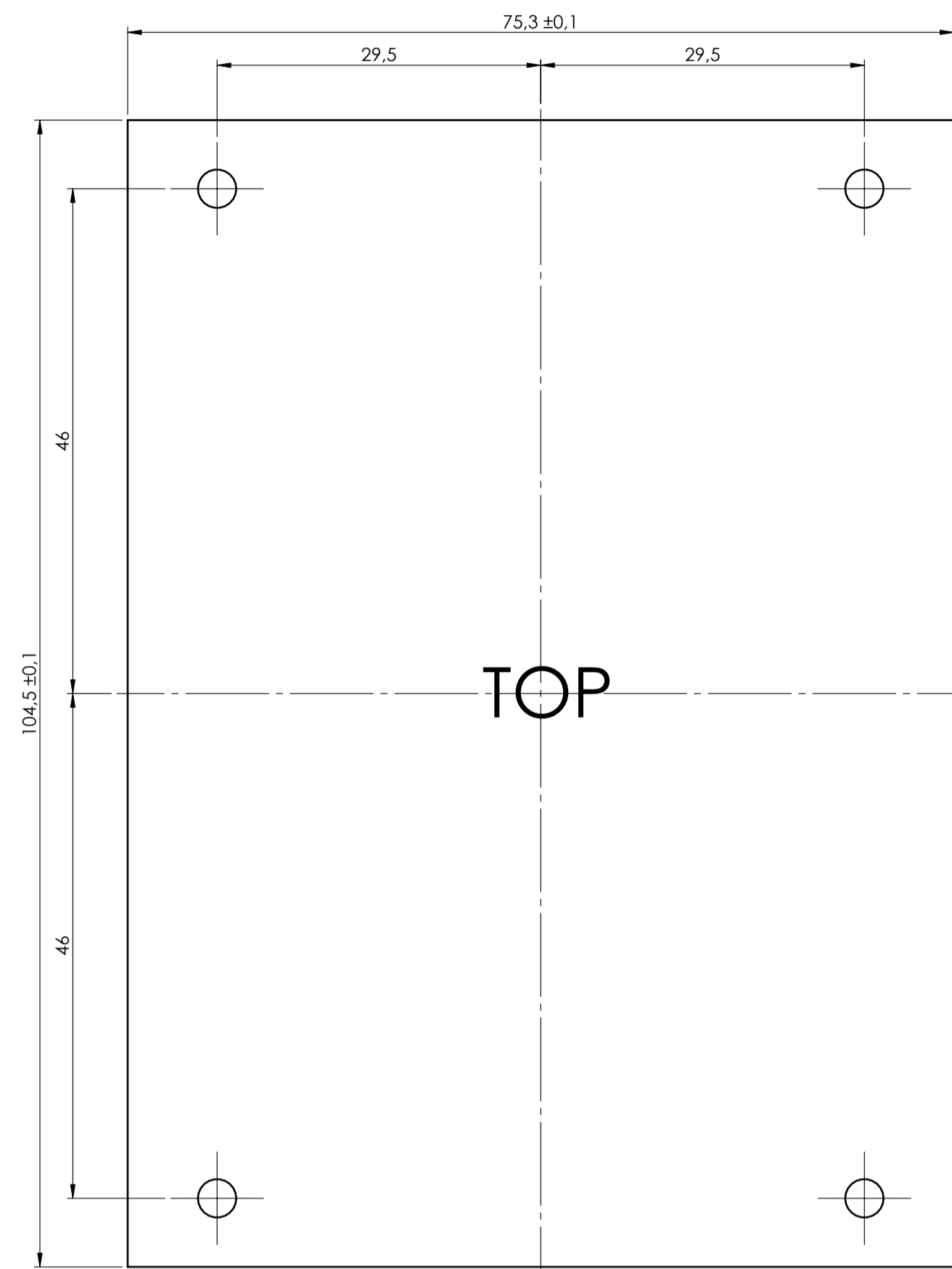
Description:	Drawing IT:	Rev:
KIT CONTENITORE RAILBOX VERTICAL 35MM KIT ENCLOSURE RAILBOX VERTICAL 35MM	3_110_00028	00

italtronic.com



General Tolerance IIR EN 22768/1 Media [m]					Sheet:
from 0.5 to 3 ± 0.1	from 3 to 6 ± 0.1	from 6 to 30 ± 0.2	from 30 to 120 ± 0.3	from 120 to 400 ± 0.5	PCB
Scale: 1:1	Drawn: M.S.	Checked: R.N.	Date: 21/11/2023	Material:	Process:
Dimension in mm	Replaces the: R-03444-00		Derived from:	Weight: gr	Cod. Mod:
Description: KIT CONTENITORE RAILBOX VERTICALE 35MM KIT ENCLOSURE RAILBOX VERTICALE 35MM					Rev.: 00 A1
 italtronic enclosures for electronics italtronic.com					Drawing IT: 3_110_00028

NO COMPONENTS AREA



General Tolerance IRI EN 22768/1 Media [m]					Sheet:
from 0.5 to 3 ± 0.1	from 3 to 6 ± 0.1	from 6 to 30 ± 0.2	from 30 to 120 ± 0.3	from 120 to 400 ± 0.5	PCB 2
Scale:	2:1	IR:	--	Drawn:	M.S.
Checked:	R.N.	Date:	21/11/2023	Material:	--
Replaces the:	R-03444-00	Derived from:	--	Weight:	gr
Description:					Cod. Mold:
KIT CONTENITORE RAILBOX VERTICALE 35MM KIT ENCLOSURE RAILBOX VERTICALE 35MM					--
Drawing n°:					Rev.:
3_110_00028					00 A1

NO COMPONENTS AREA



enclosures for electronics
italtronic.com