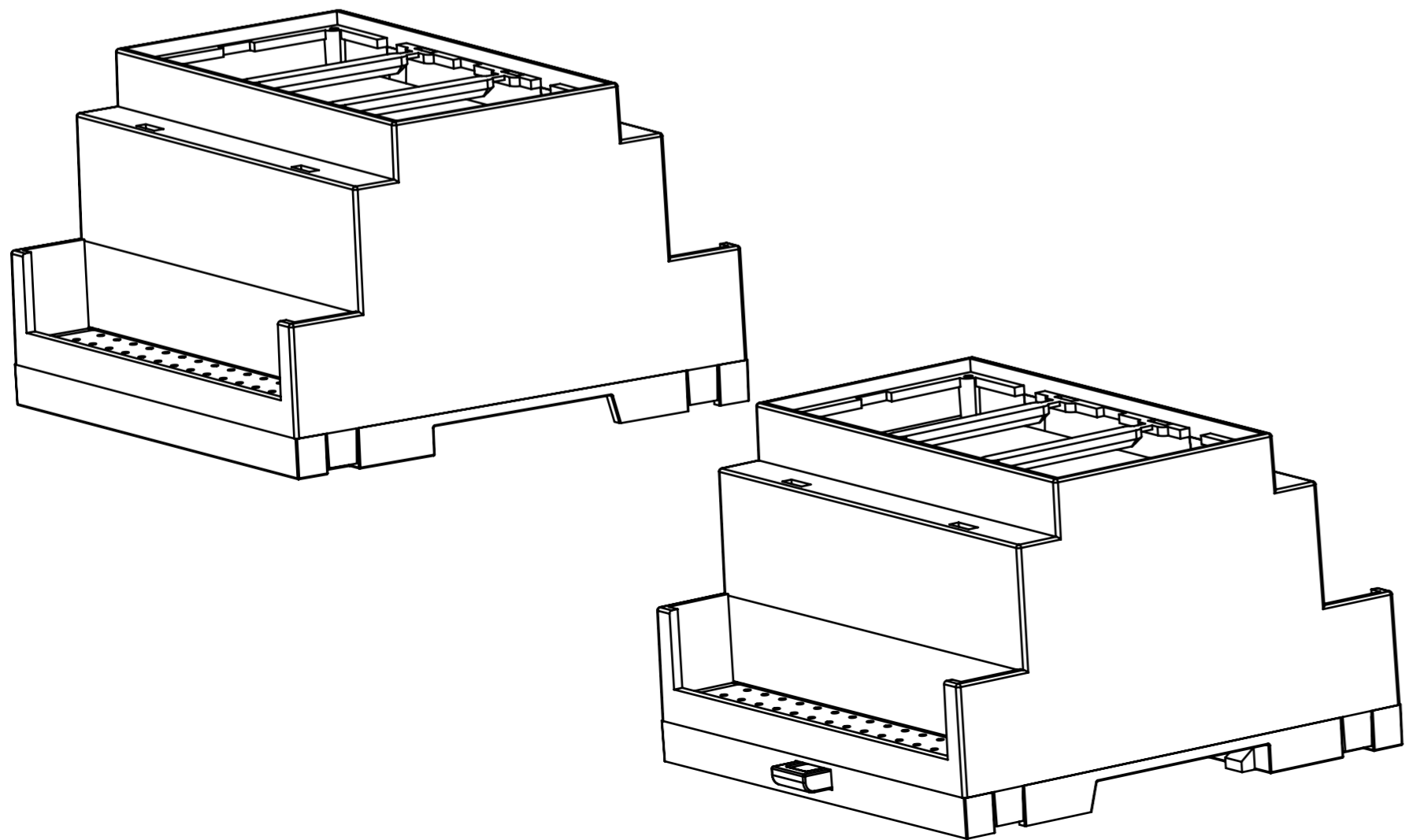
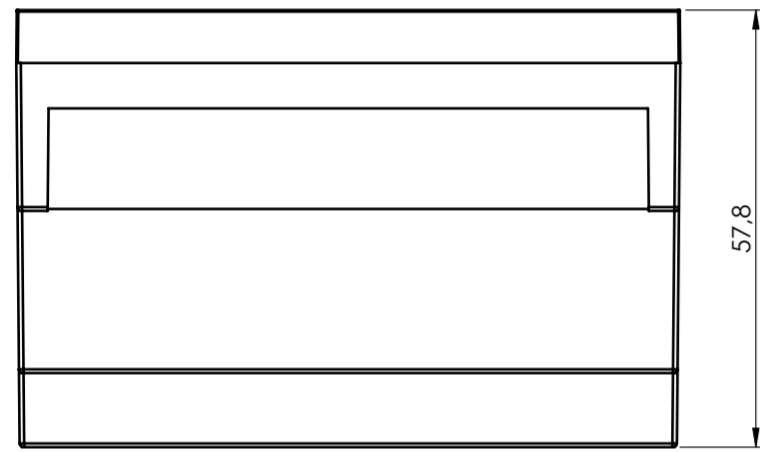
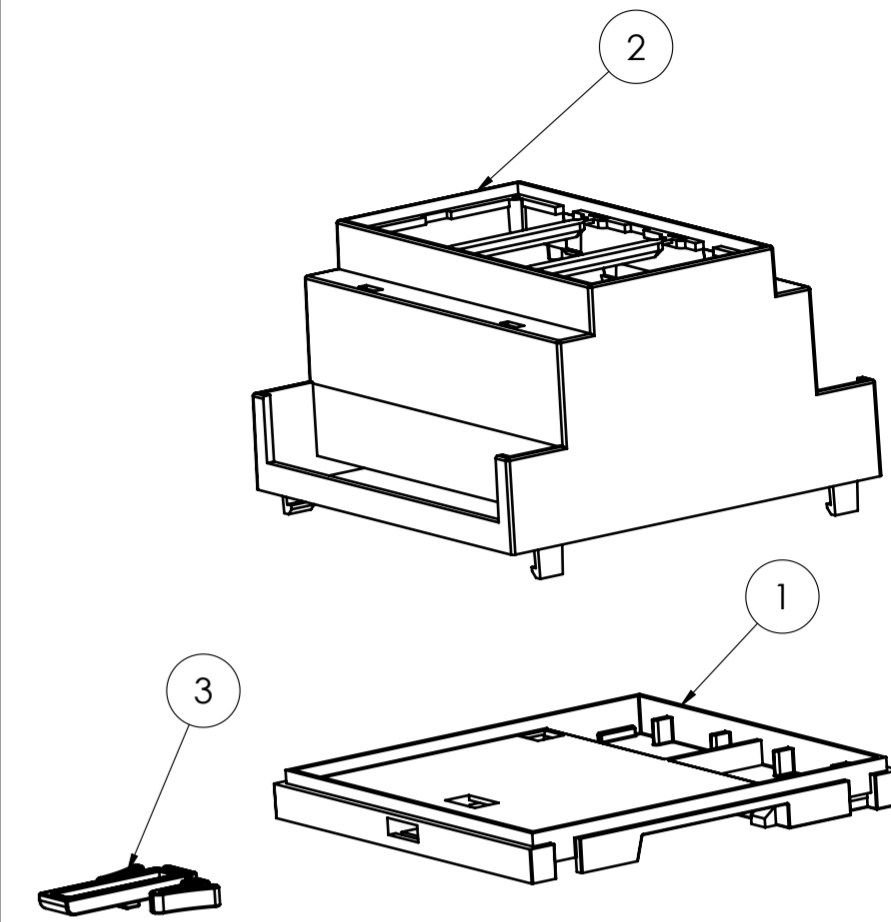
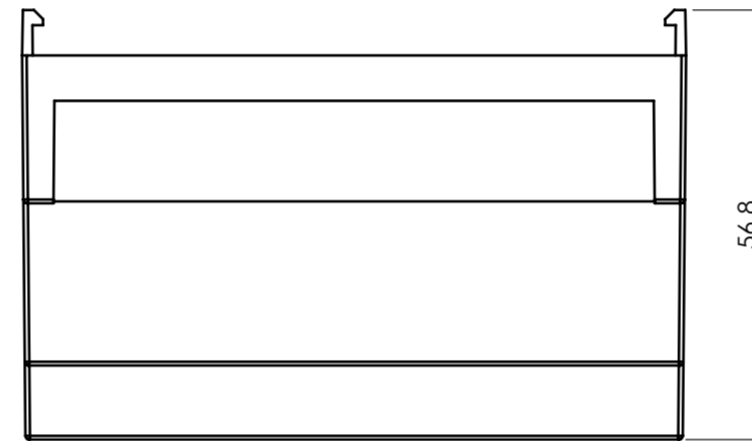
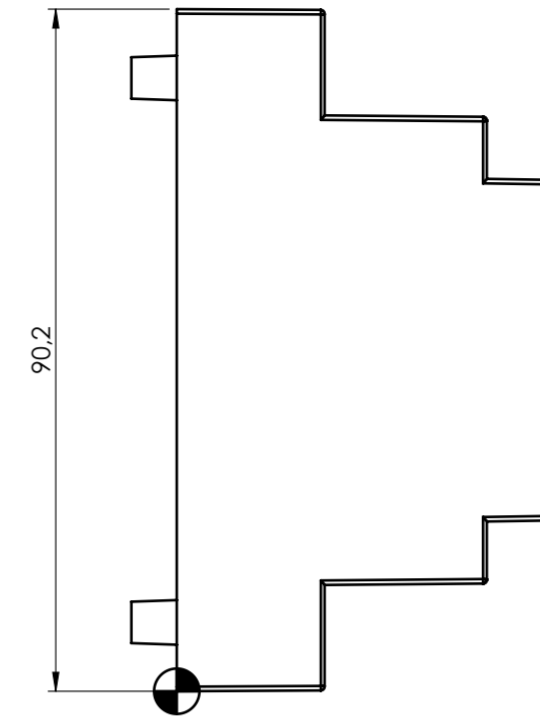
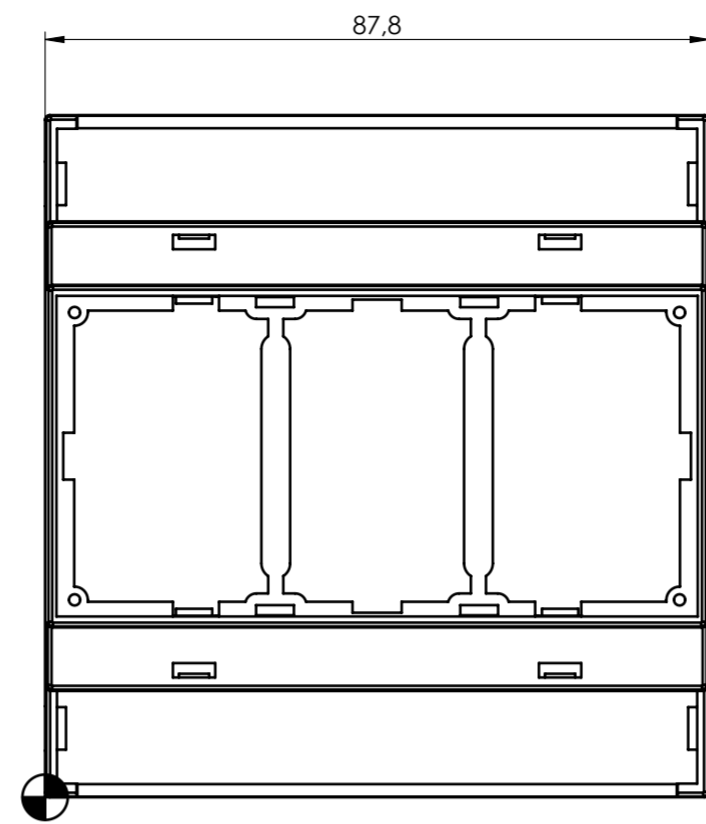


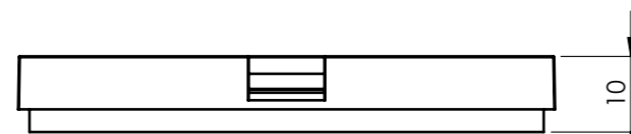
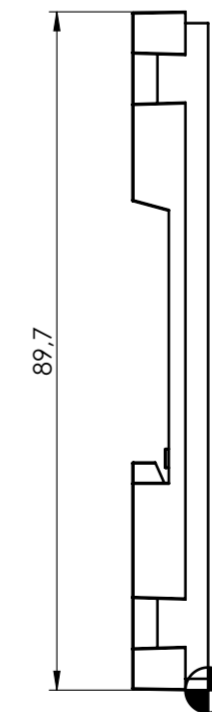
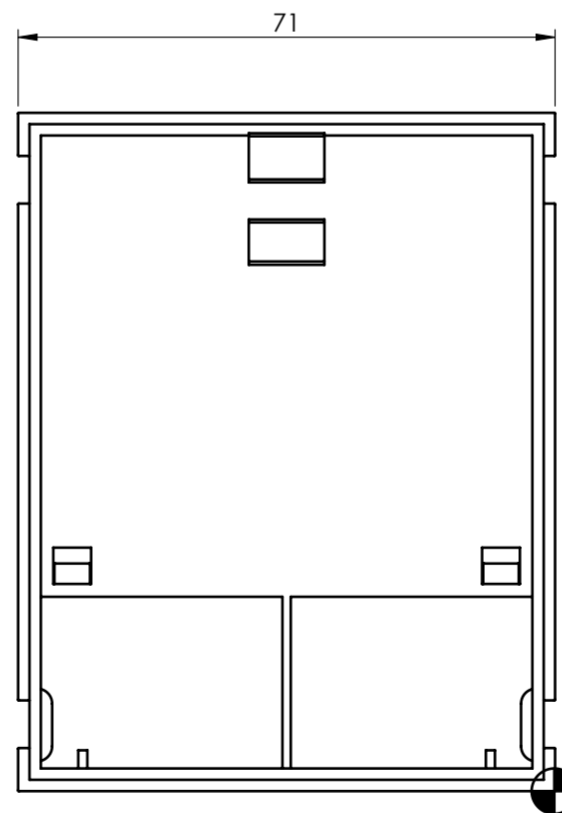
SECTION A-A



BODY ENCLOSURE

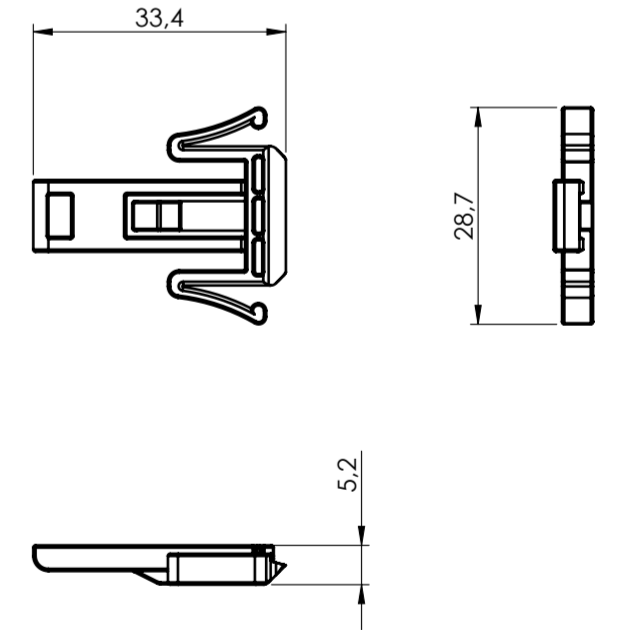


BASE



General information:
 - Workpiece zero point for mechanical processing
 - Minimum recommended radius for machining = R1.0 mm
 - Mounting rail like EN 60715: TH 35-7.5 or TH 35-15
 - Recommended PCB outline on www.italtronic.com

HOOK



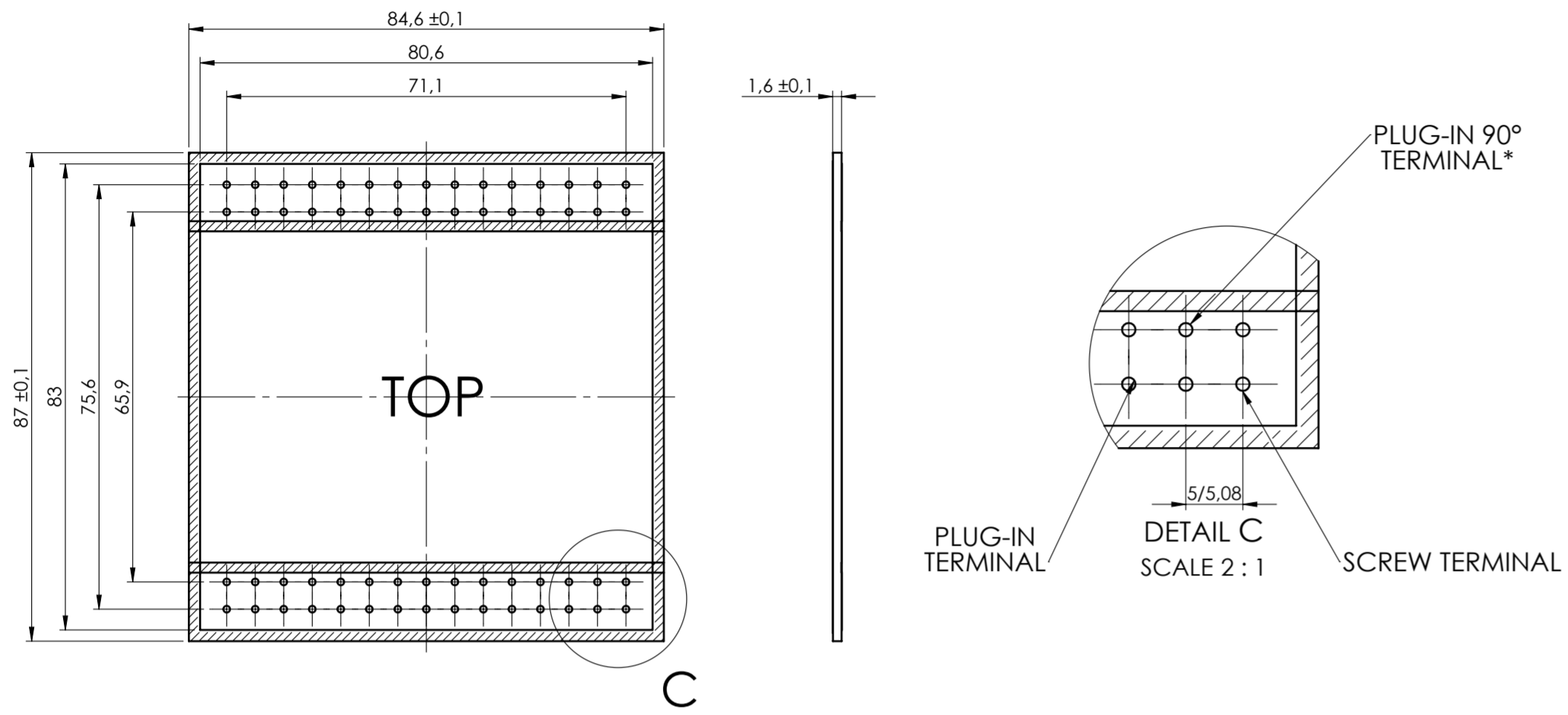
RIF.	Q.TY	DRAWING	DESCRIPTION
1	1	2_250_00185	BASE MODULBOX ONE 5M
2	1	2_250_00186	BODY ENCLOSURE MODULBOX ONE 5M53
3	1	2_250_00079	HOOK FOR MODULBOX ONE

General Tolerance UNI EN 22768/1 Media (m)						Sheet:
from 0.5 to 3	from 3 to 6	from 6 to 30	from 30 to 120	from 120 to 400		1
± 0.1	± 0.1	± 0.2	± 0.3	± 0.5		
Scale:	IM:	Drawn:	Checked:	Date:	Material:	Process:
1:1	--	M.S.	R.N.	24/07/2023		
<small>The present drawing cannot be reproduced or communicated to third parties, even partially, without the authorization of ITALTRONIC. ITALTRONIC reserves the right to protect its copyrights according to the law.</small>		Replaces the:	Derived from:	Weight:	Cod. Mold:	
Dimension in mm		M-06604-00	--	gr	--	

italtronic enclosures for electronics italtronic.com		Description:	Rev.:
		KIT CONTENITORE MODULBOX ONE 5M53	00
		KIT ENCLOSURE MODULBOX ONE 5M53	A2
		Drawing nr.:	
		3_250_00160	

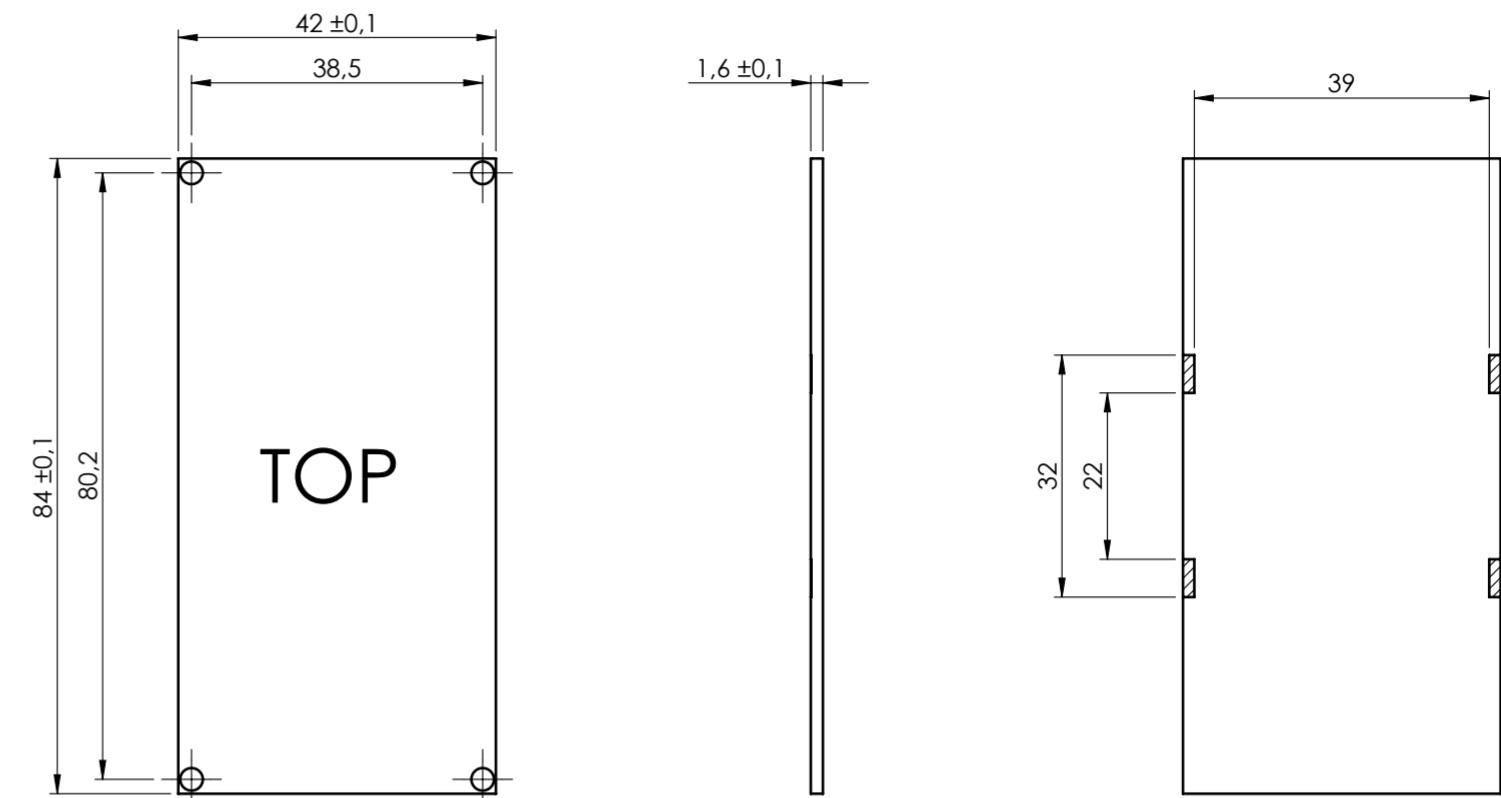
Max height of the terminal:
Modulbox ONE: 20 mm

PCB A

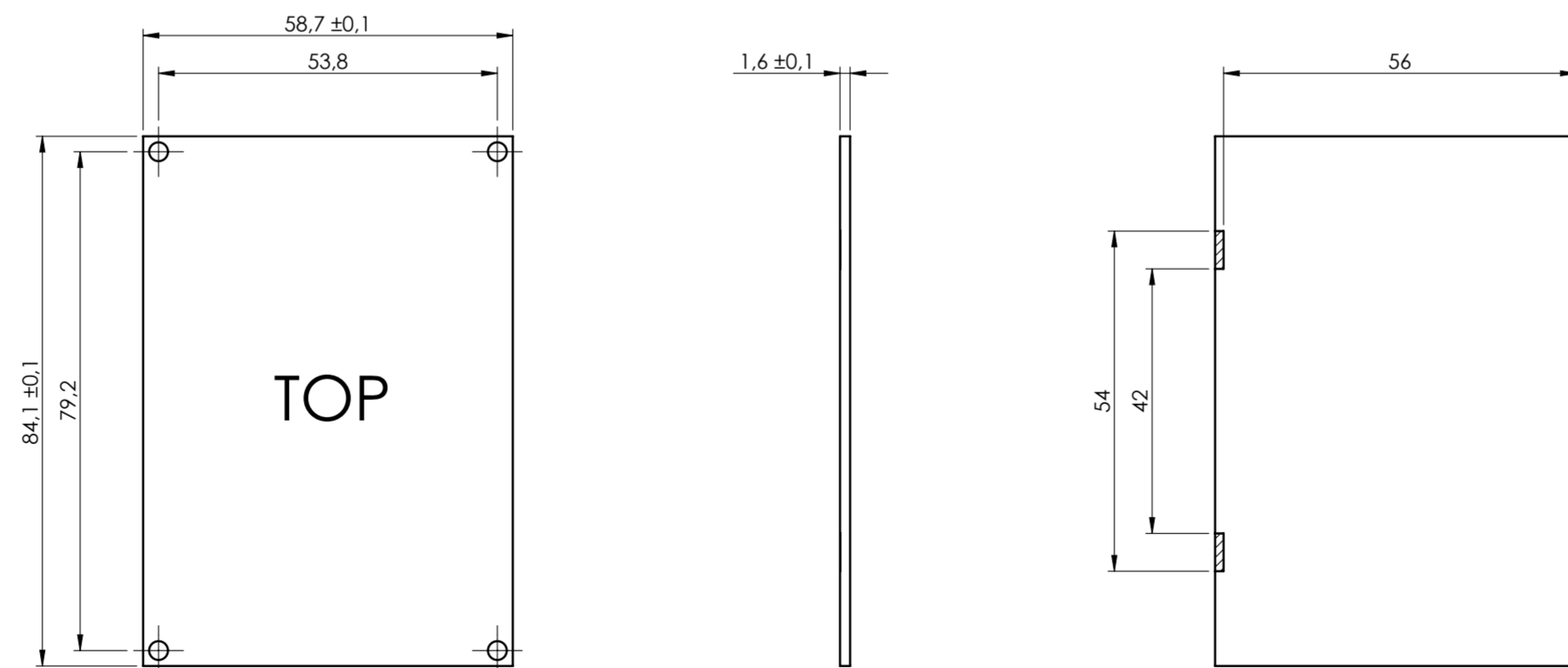


**To use the PLUG-IN terminals in Modulbox ONE use plug-in adapter P05000003E (5/5.08 pitch) and P05000004E (7.5/7.62 pitch)*

PCB C



PCB B



General Tolerance UNI EN 22768/1 Media (m)					Sheet:
from 0.5 to 3 ± 0.1	from 3 to 6 ± 0.1	from 6 to 30 ± 0.2	from 30 to 120 ± 0.3	from 120 to 400 ± 0.5	PCB
Scale: 1:1	IM: --	Drawn: M.S.	Checked: R.N.	Date: 24/07/2023	Process:
Dimension in mm		Replaces the: M-06604-00	Derived from: --	Weight: gr	Cod. Mold: --
 enclosures for electronics italtronic.com		Description: KIT CONTENITORE MODULBOX ONE 5M53 KIT ENCLOSURE MODULBOX ONE 5M53 Drawing nr.: 3_250_00160		Rev.: 00	A2

NO COMPONENTS AREA