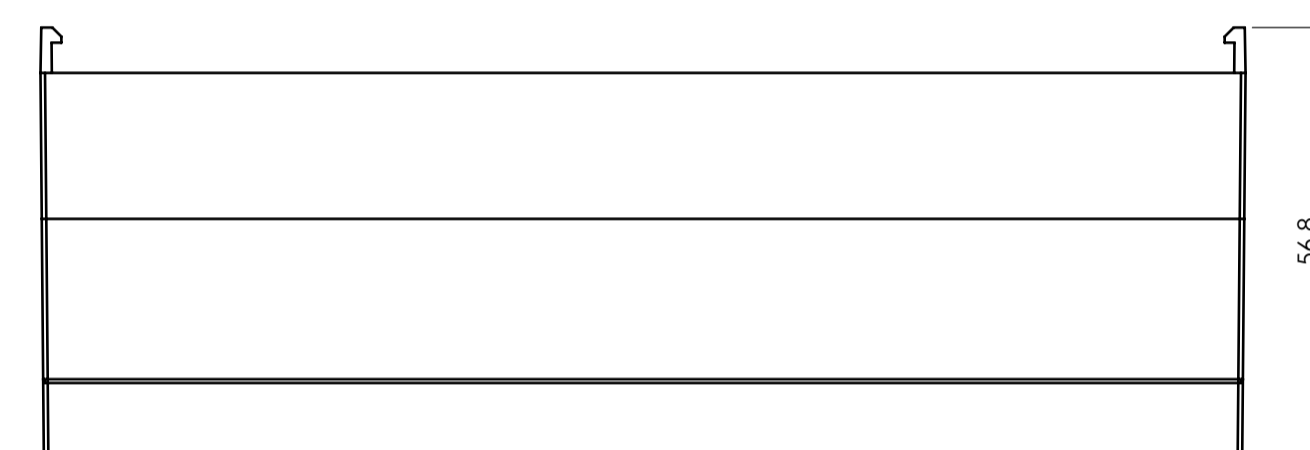
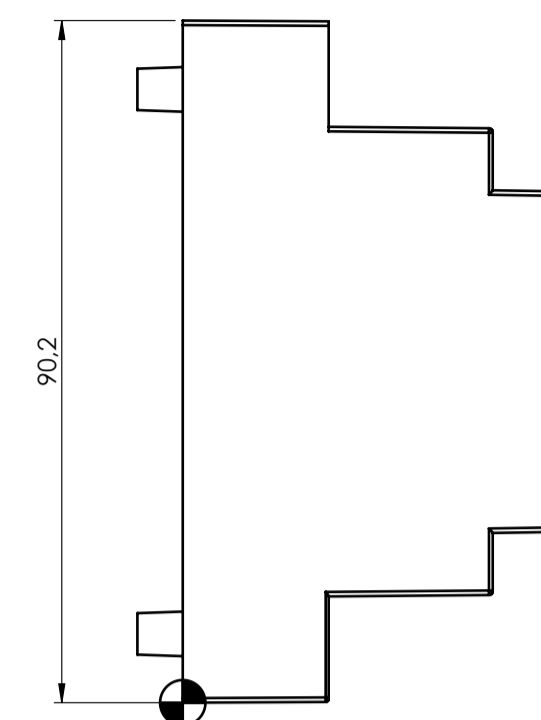
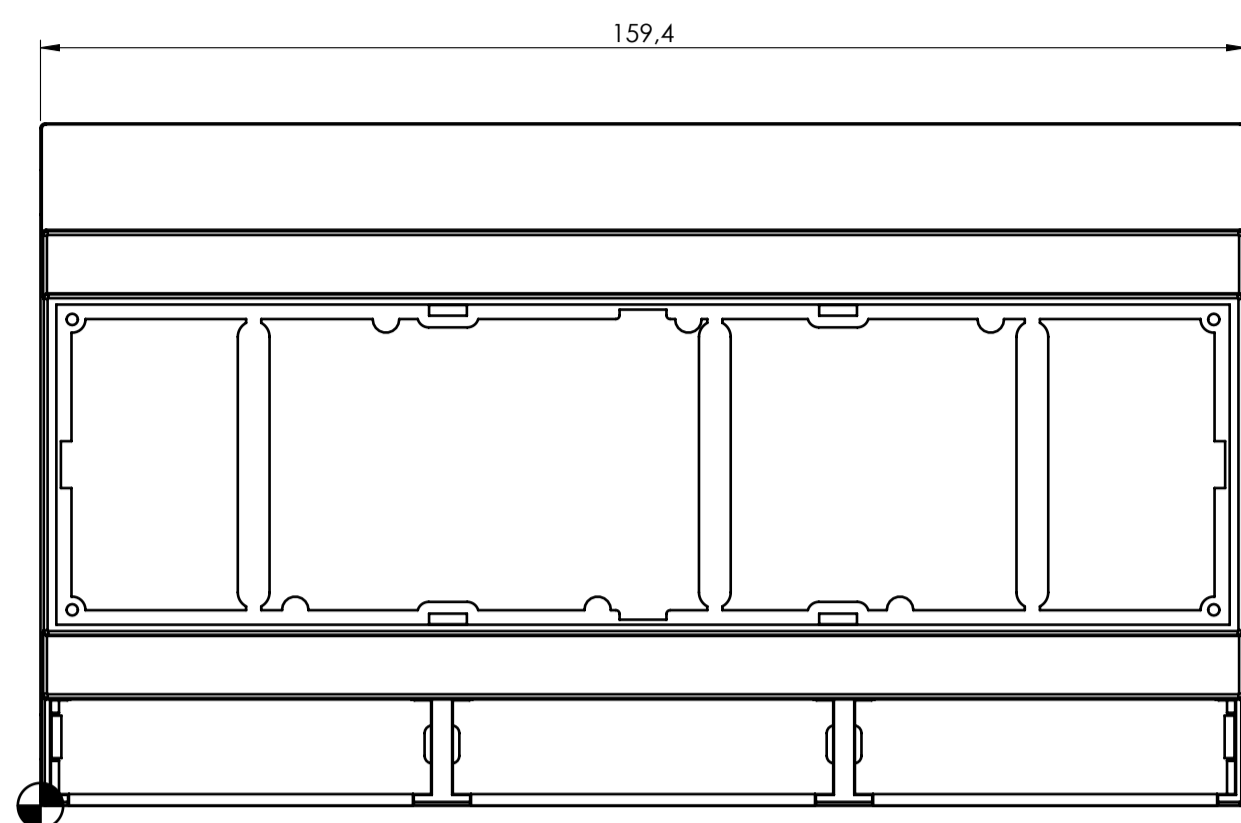
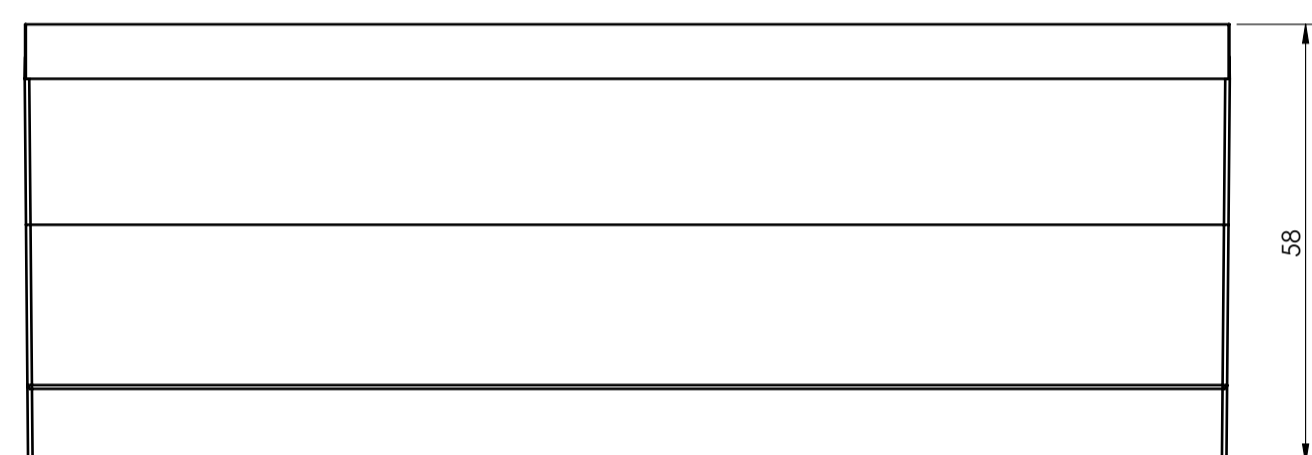
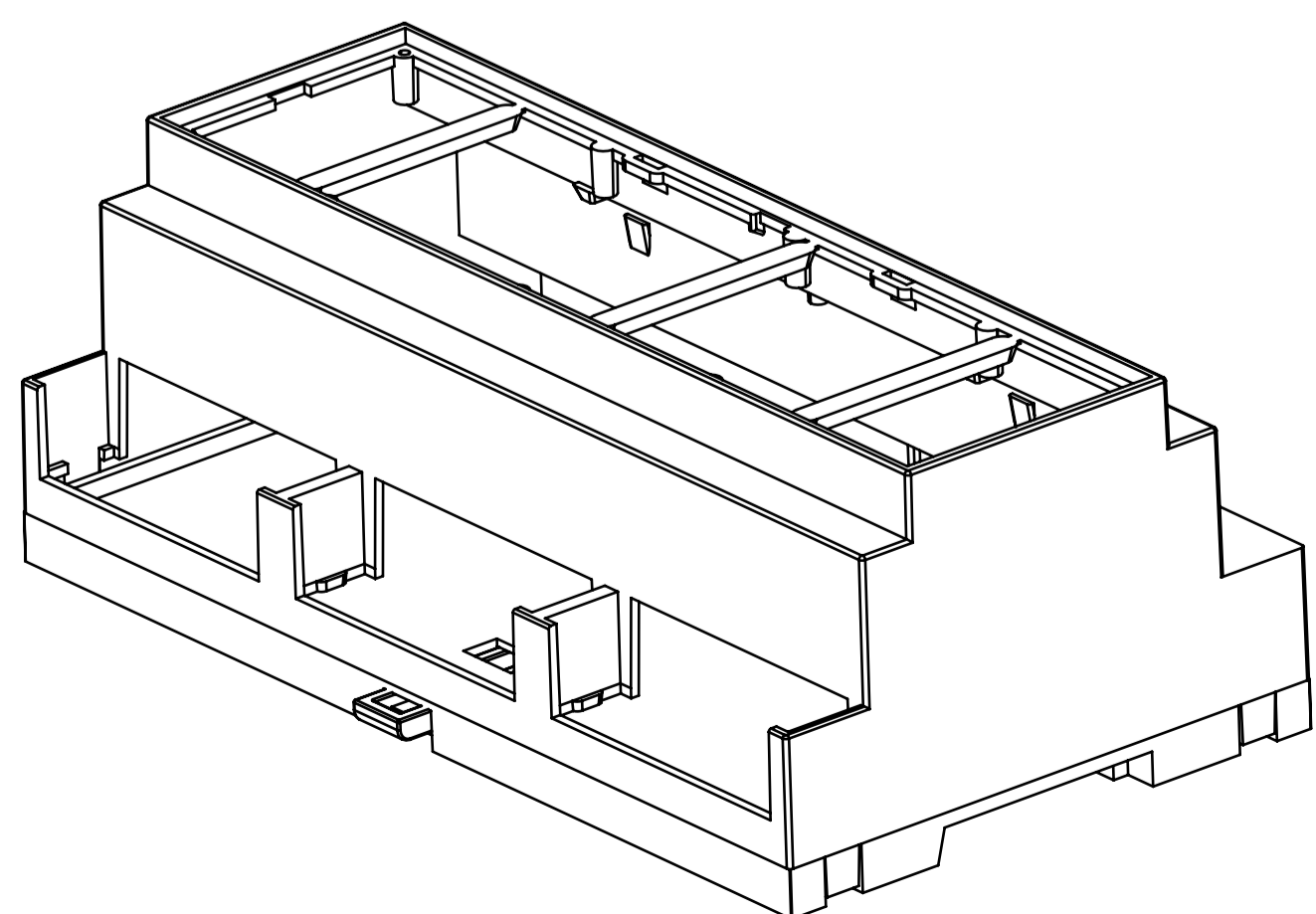
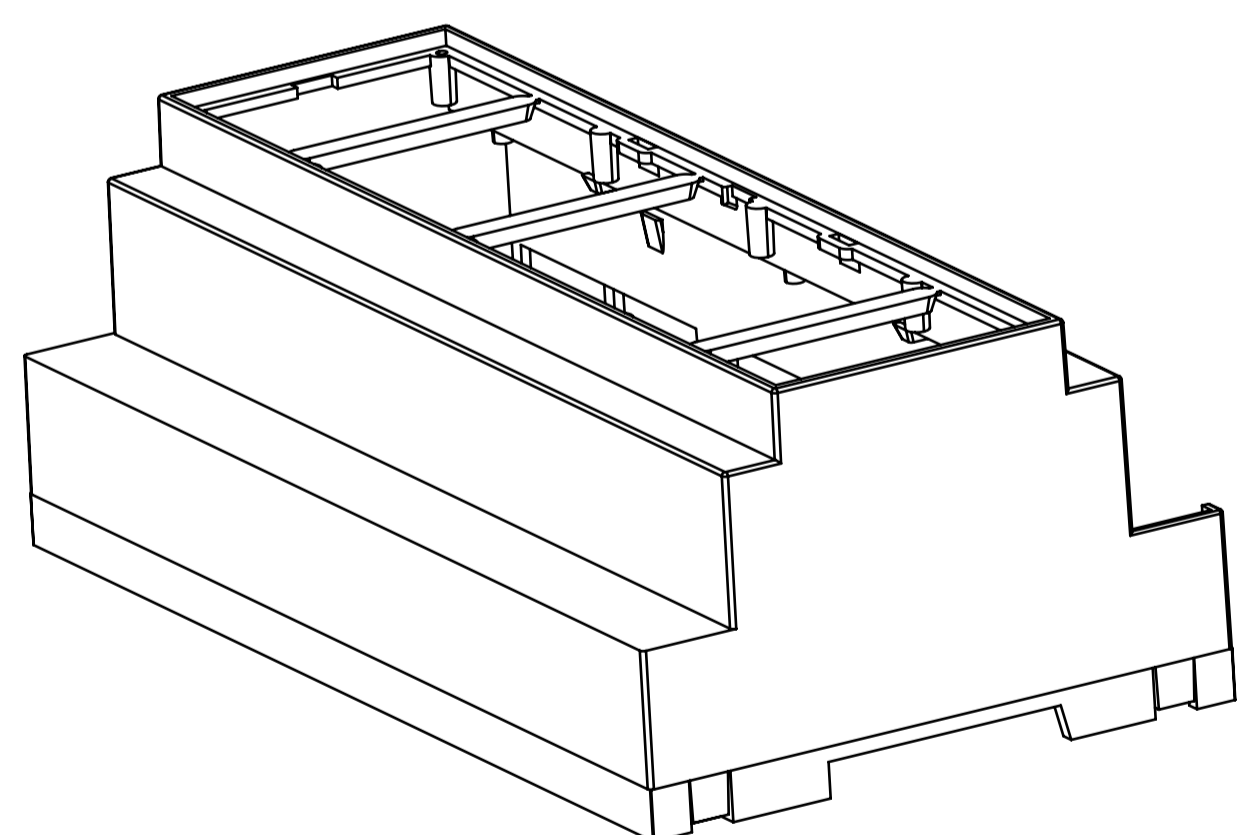
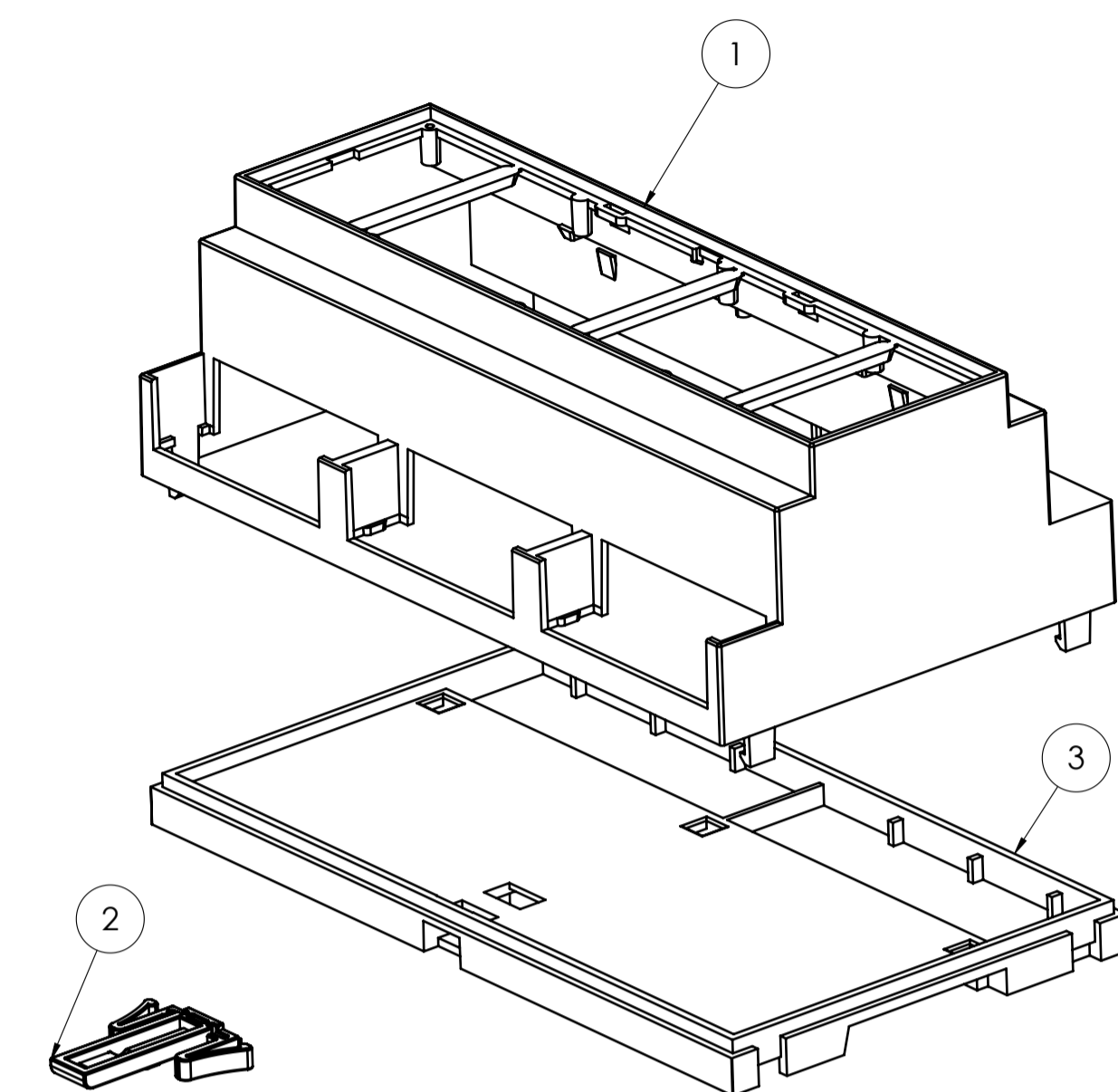


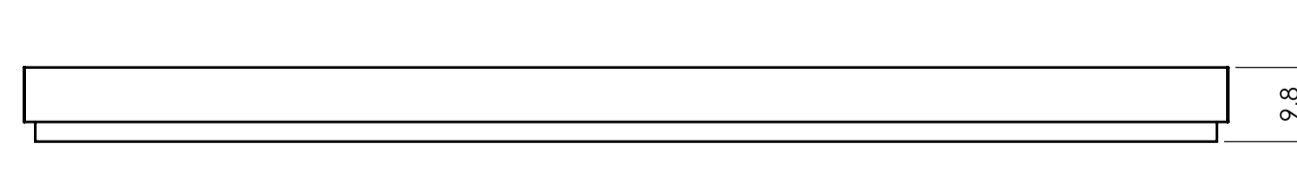
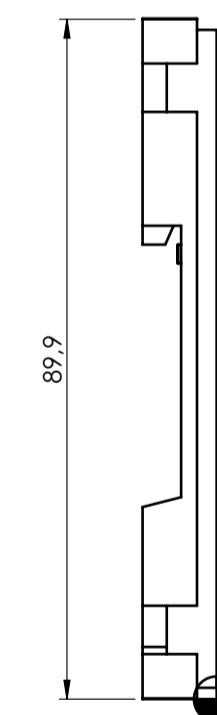
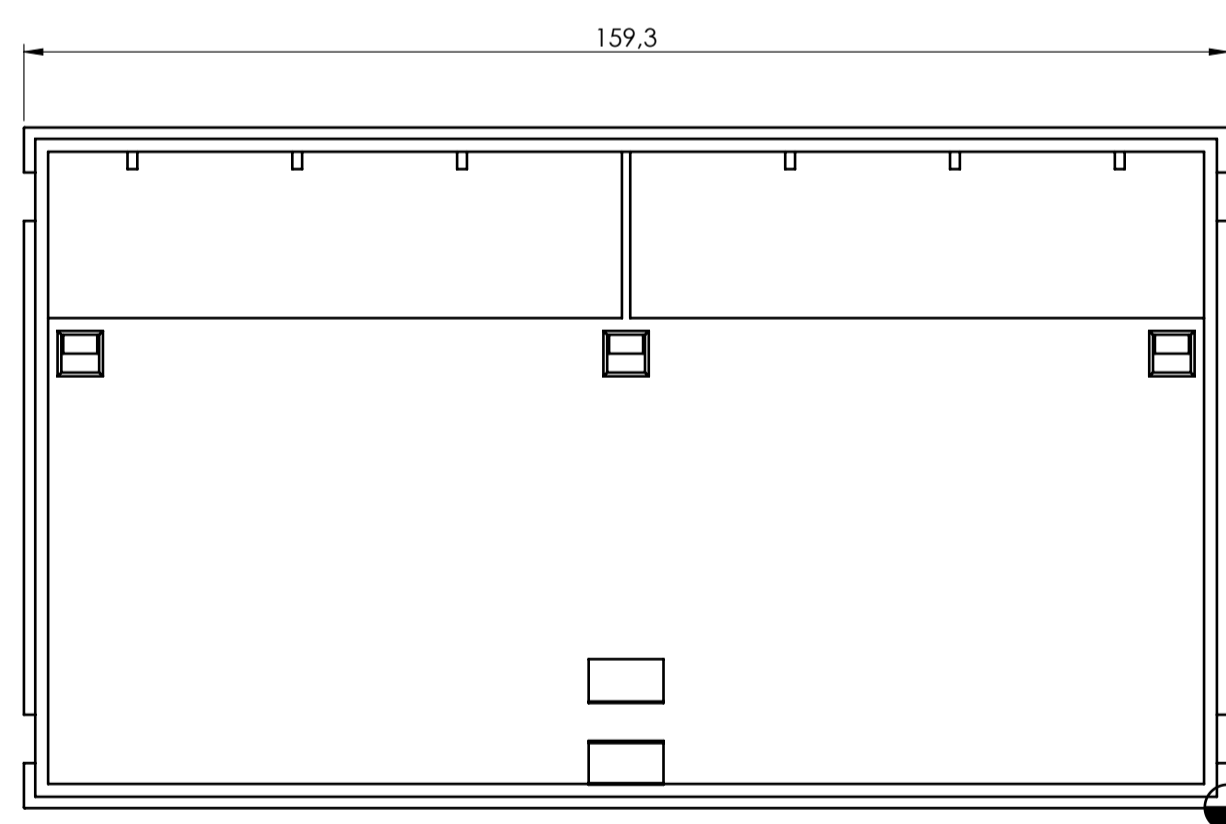
SECTION A-A



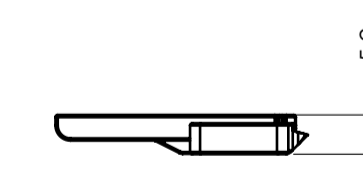
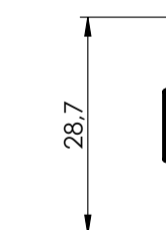
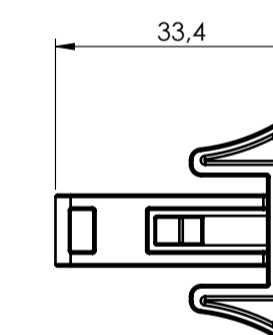
BODY ENCLOSURE



BASE



HOOK



General information:
 - Workpiece zero point for mechanical processing
 - Minimum recommended radius for machining = R1.0 mm
 - Mounting rail like EN 60715: TH 35-7.5 or TH 35-15
 - Recommended PCB outline on www.italtronic.com

RIF.	Q.TY	DRAWING	DESCRIPTION
1	1	2_250_00195	BODY ENCLOSURE MODULBOX ONE 9MH53
2	1	2_250_00079	HOOK FOR MODULBOX ONE
3	1	2_250_00192	BASE MODULBOX ONE 9M

General Tolerances (UNE EN 22768/1 Medio [m])

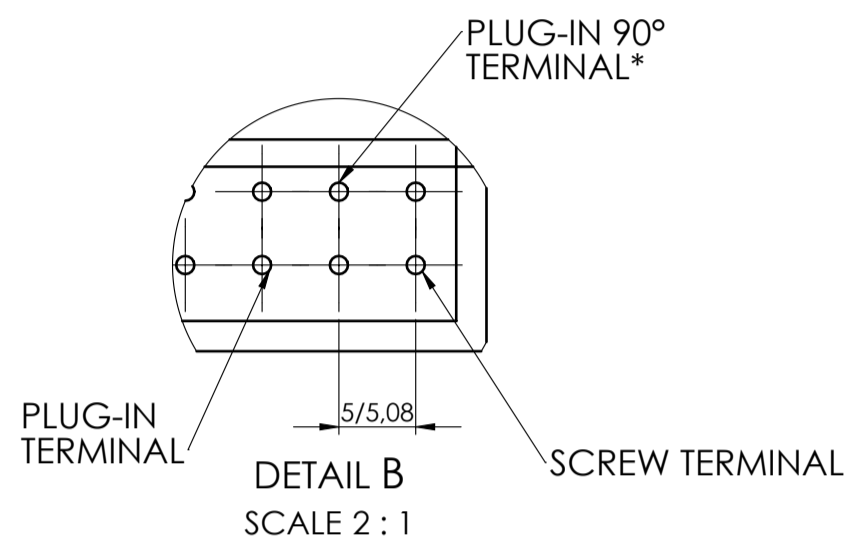
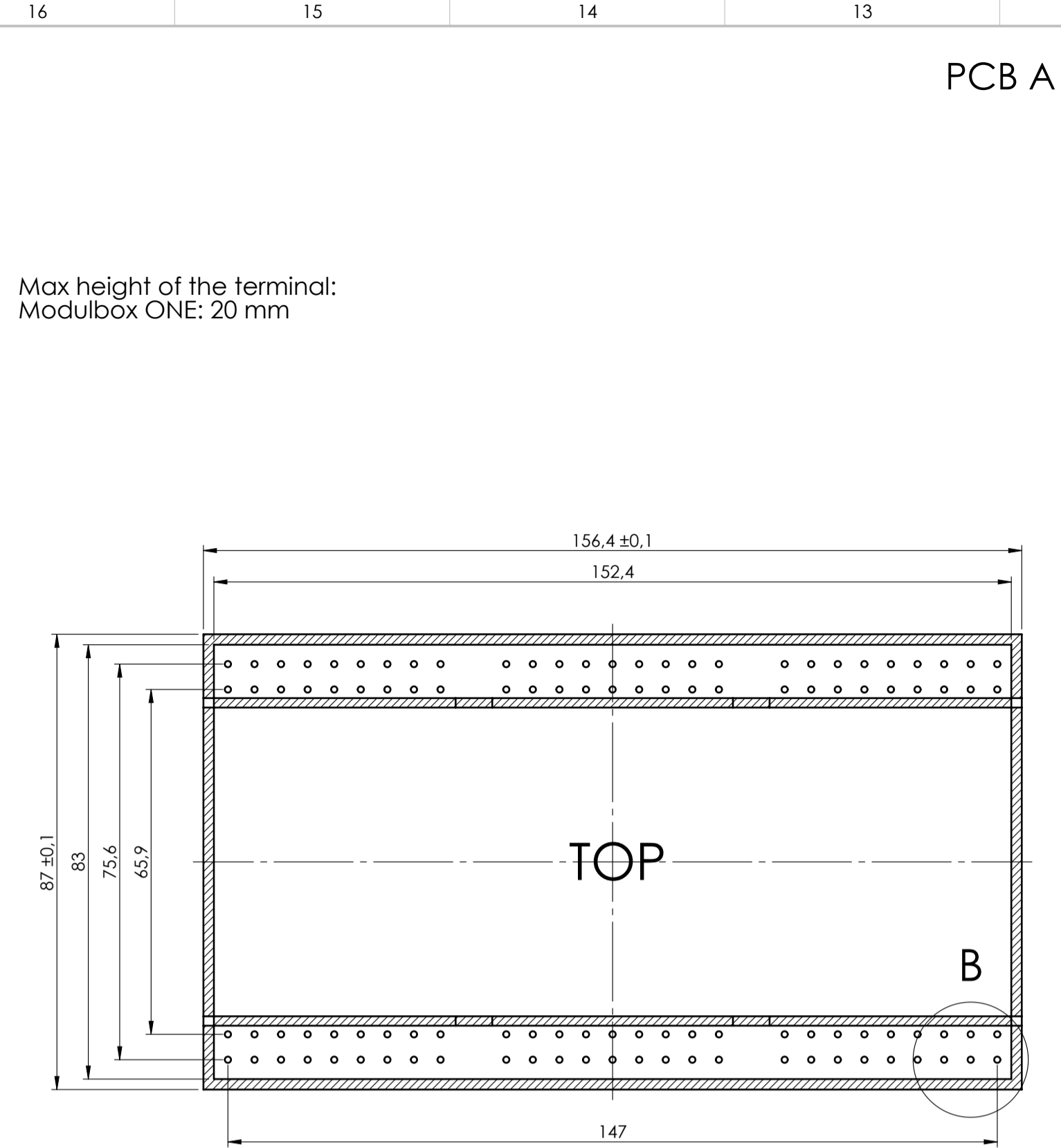
from 0.5 to 3	from 3 to 6	from 6 to 30	from 30 to 120	from 120 to 400	Sheet:
±0.1	±0.1	±0.2	±0.3	±0.5	1

Scale: 1:1
 Drawn: M.S.
 Checked: R.N.
 Date: 26/07/2023
 Material: gr
 Process: --
 Cod. Mod: --

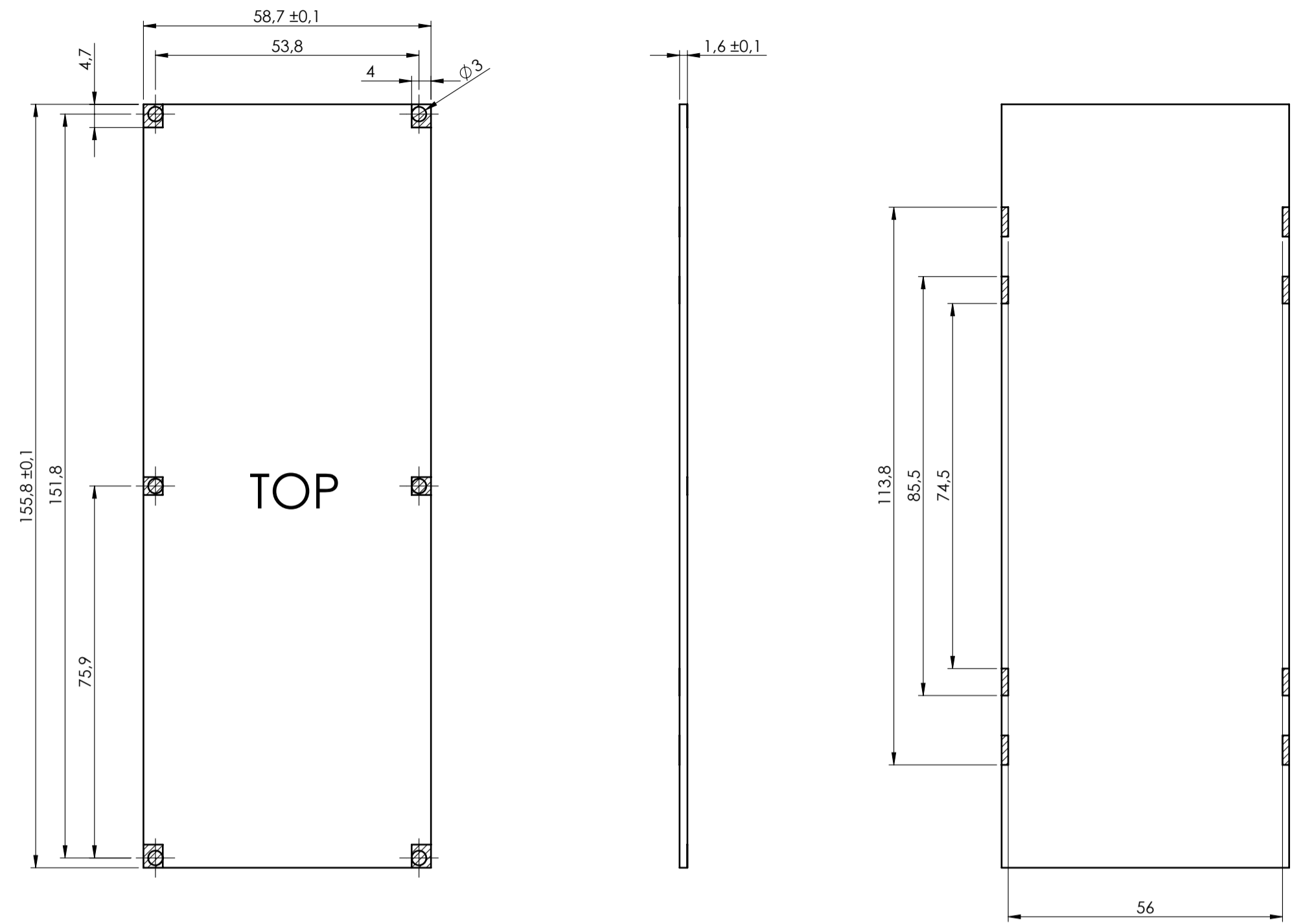
Dimension in mm

italtronic
 enclosures for electronics
 itatronic.com

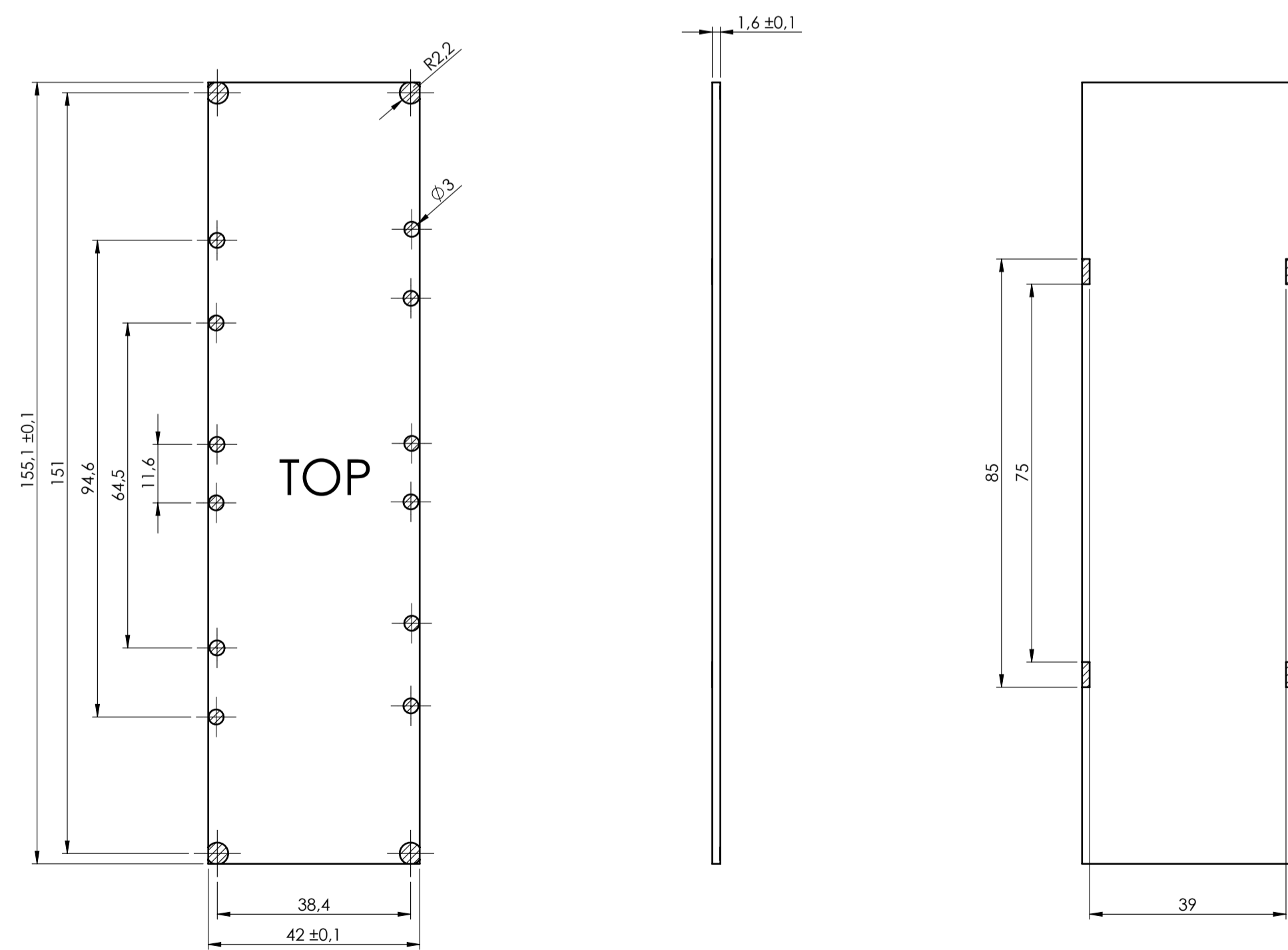
Description:
 KIT CONTENITORE MODULBOX ONE 9MH53
 KIT ENCLOSURE MODULBOX ONE 9MH53
 Drawing n°: **3_250_00171**
 Rev.: --
 A1



*To use the PLUG-IN terminals in Modulbox ONE use plug-in adapter P05000003E (5/5.08 pitch) and P05000004E (7.5/7.62 pitch)



PCB C



General Tolerance IIR EN 22768/1 Media (m)				Sheet:	
from 0.5 to 3 ± 0.1	from 3 to 6 ± 0.1	from 6 to 30 ± 0.2	from 30 to 120 ± 0.3	from 120 to 400 ± 0.5	PCB
Scale:	Drawn:	Checked:	Date:	Material:	Process:
1:1	M.S.	R.N.	26/07/2023		
Dimension in mm	Description:		Weight:	Cod. Mod:	
	KIT CONTENITORE MODULBOX ONE 9MH53 KIT ENCLOSURE MODULBOX ONE 9MH53		gr	--	
 enclosures for electronics italtironi.com		Drawing n°: 3_250_00171	Rev.:	-	A1

NO COMPONENTS AREA