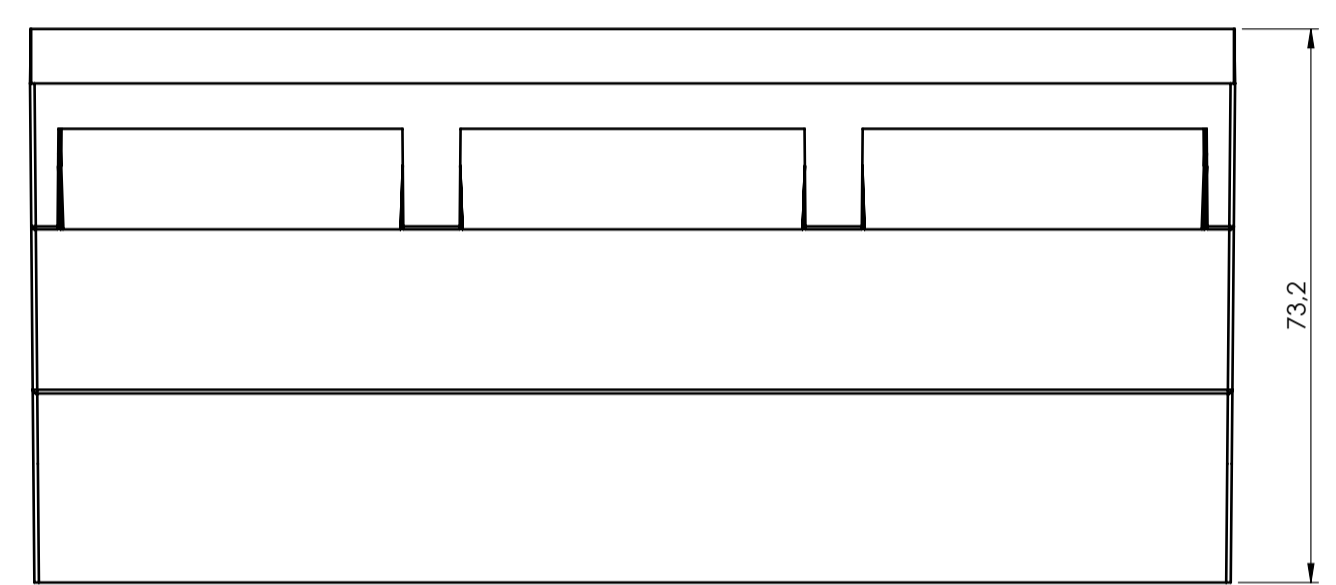
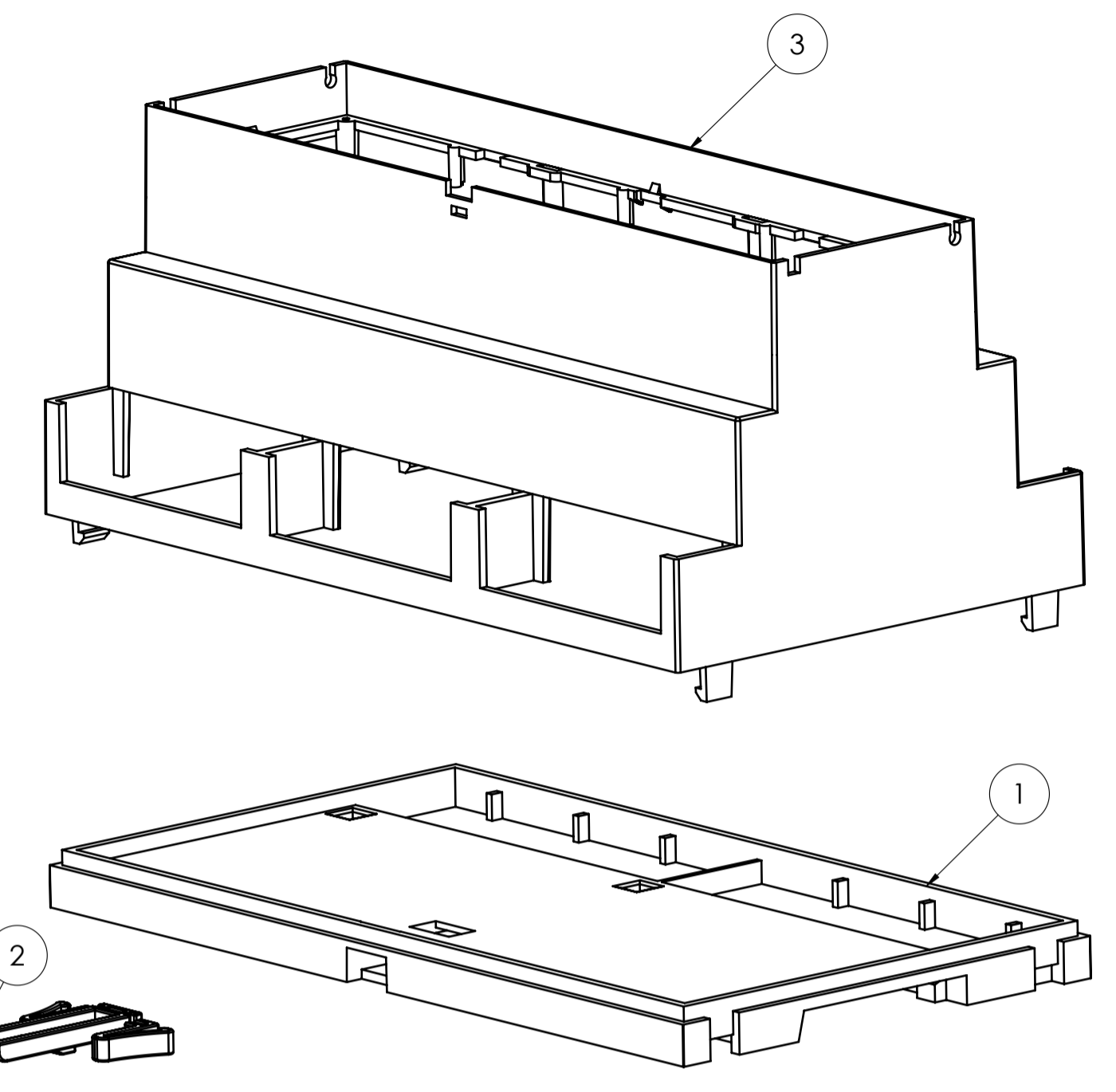
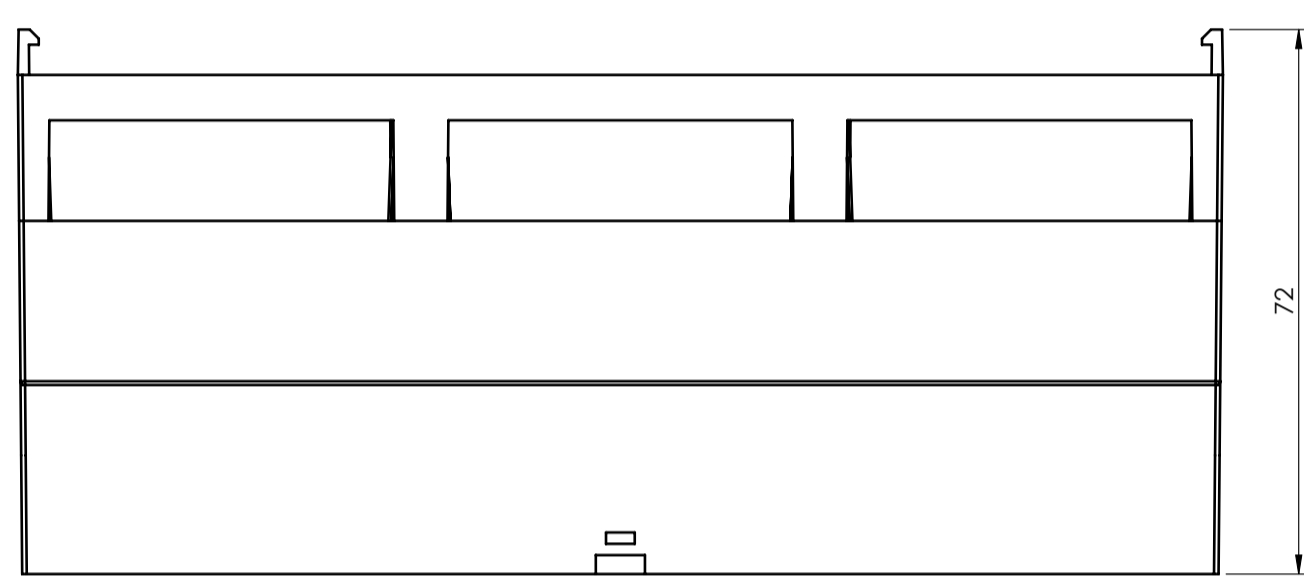
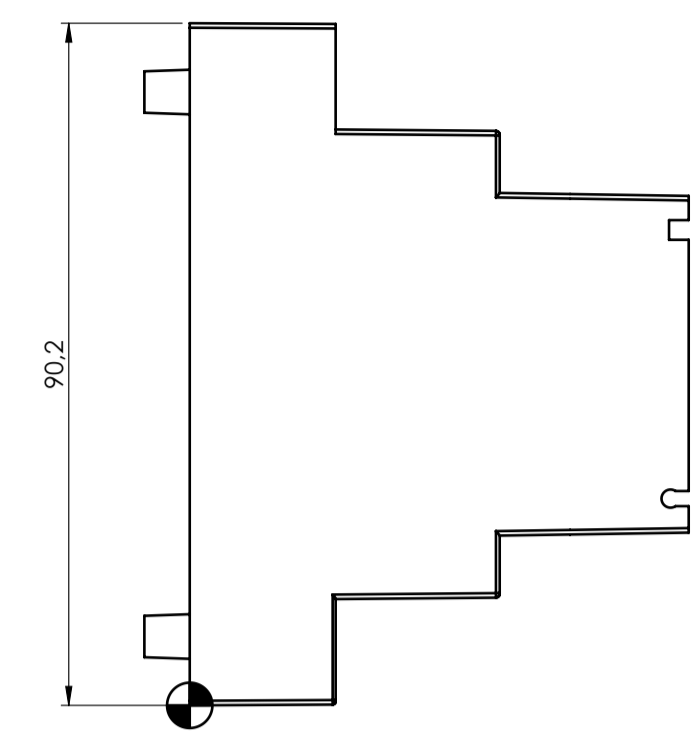
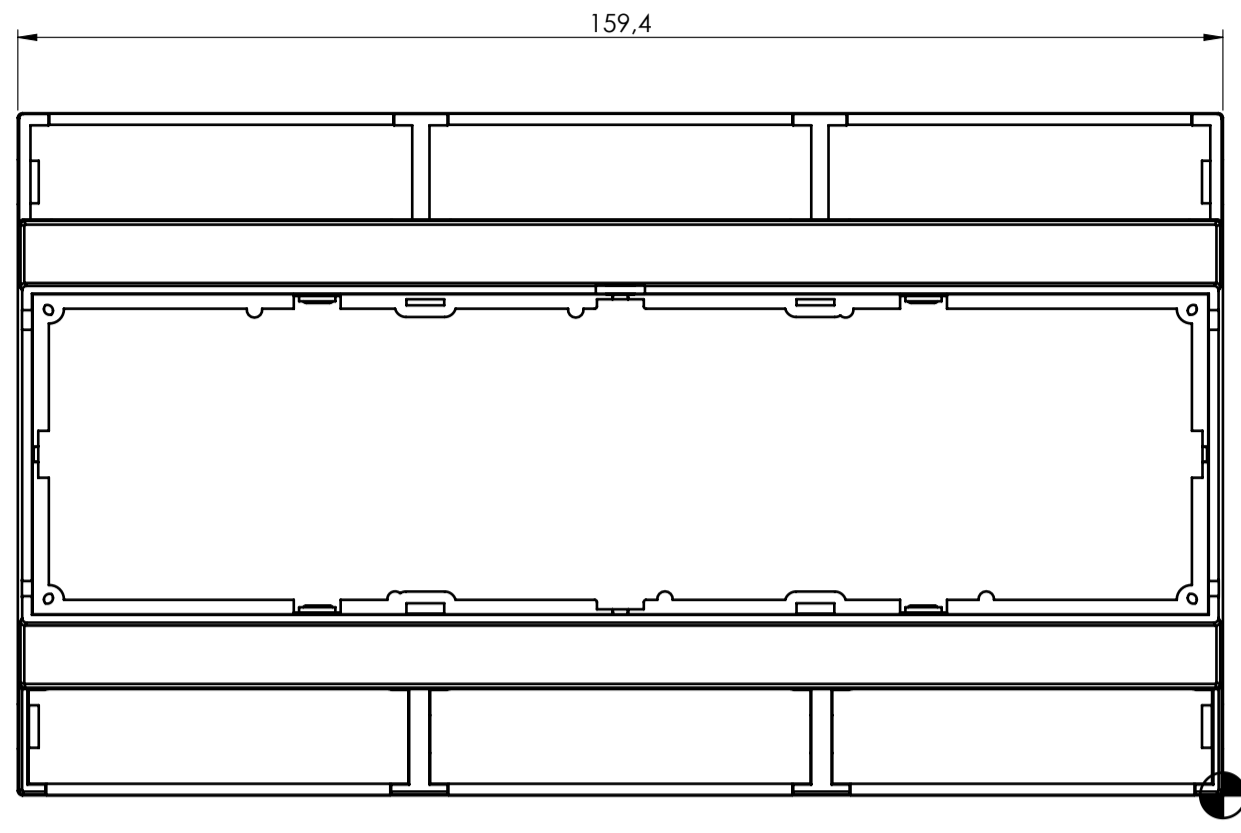


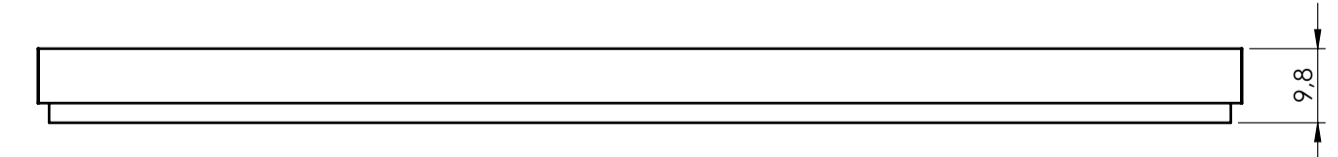
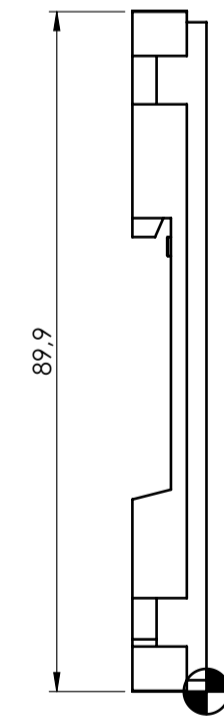
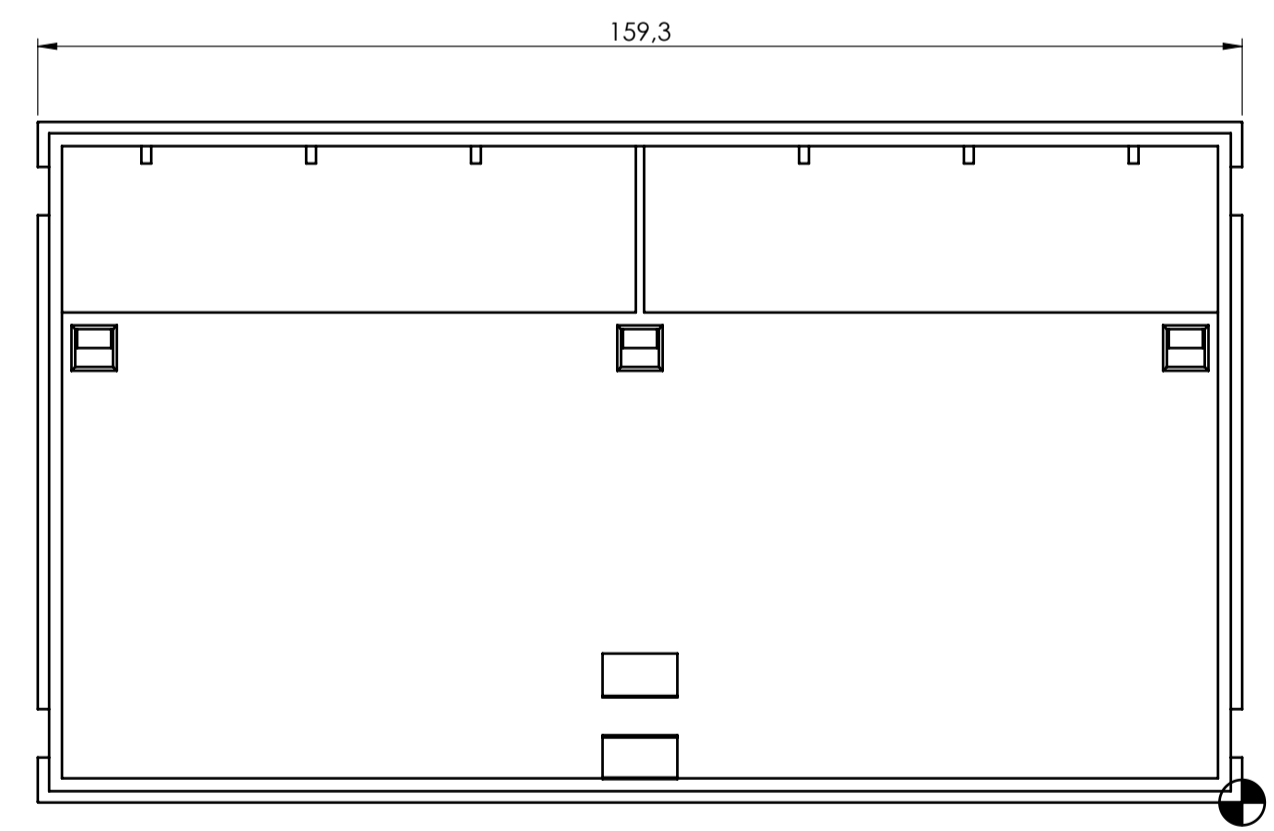
SECTION A-A



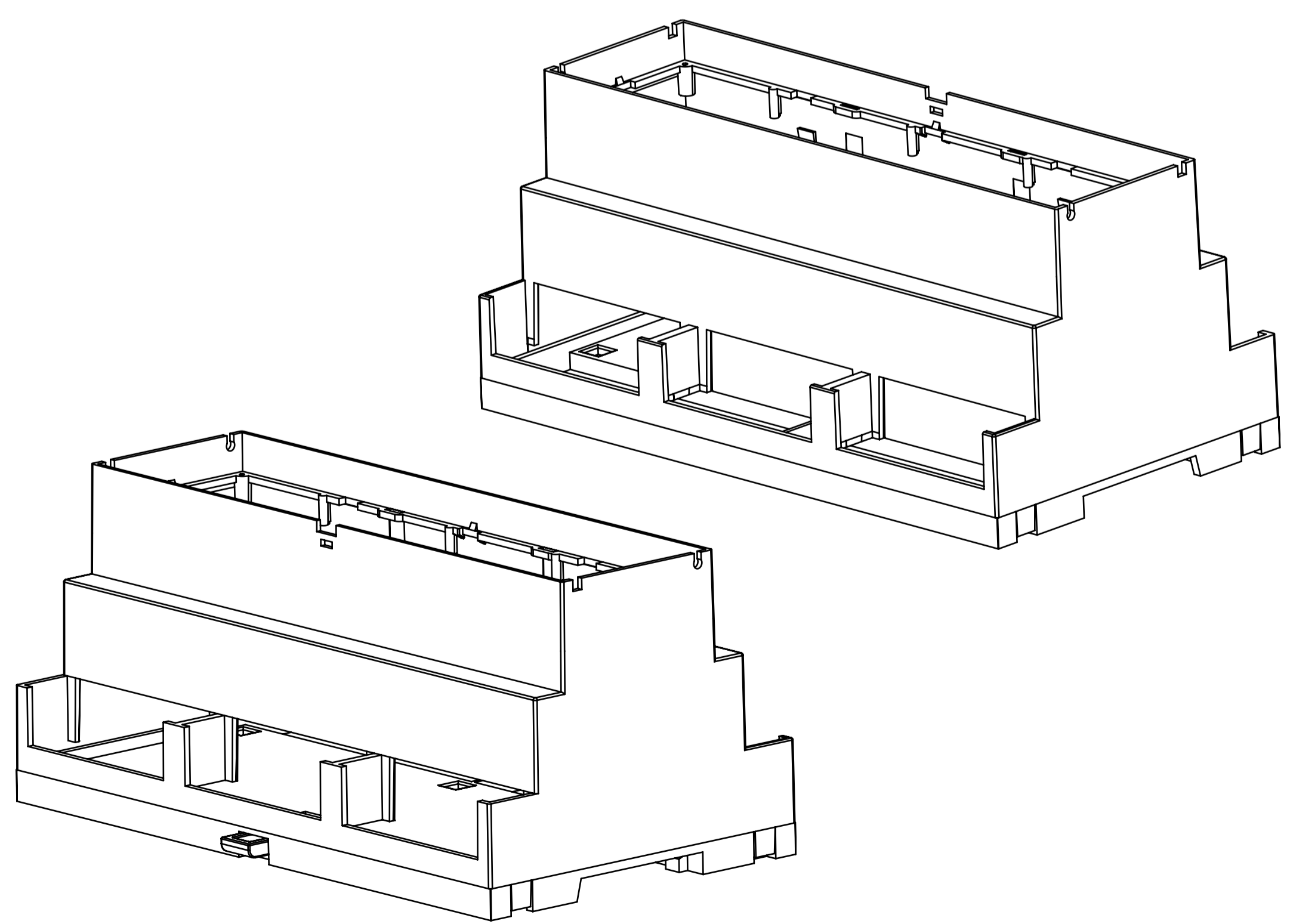
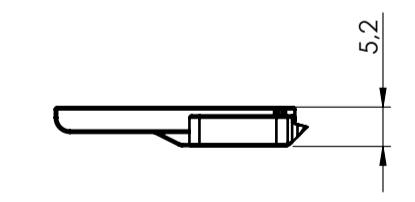
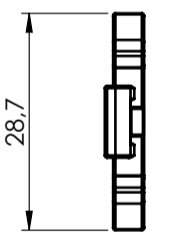
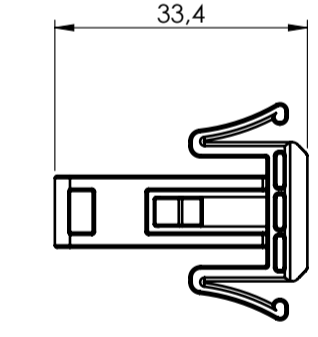
BODY ENCLOSURE



BASE



HOOK



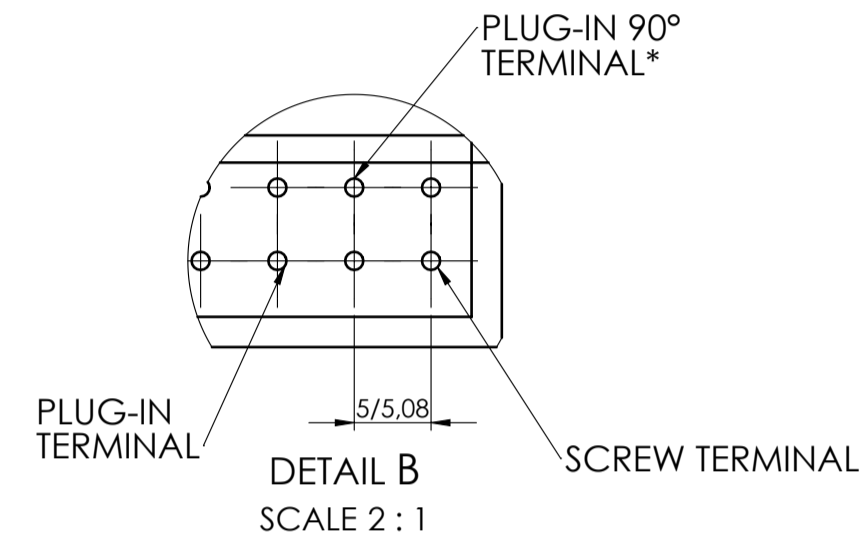
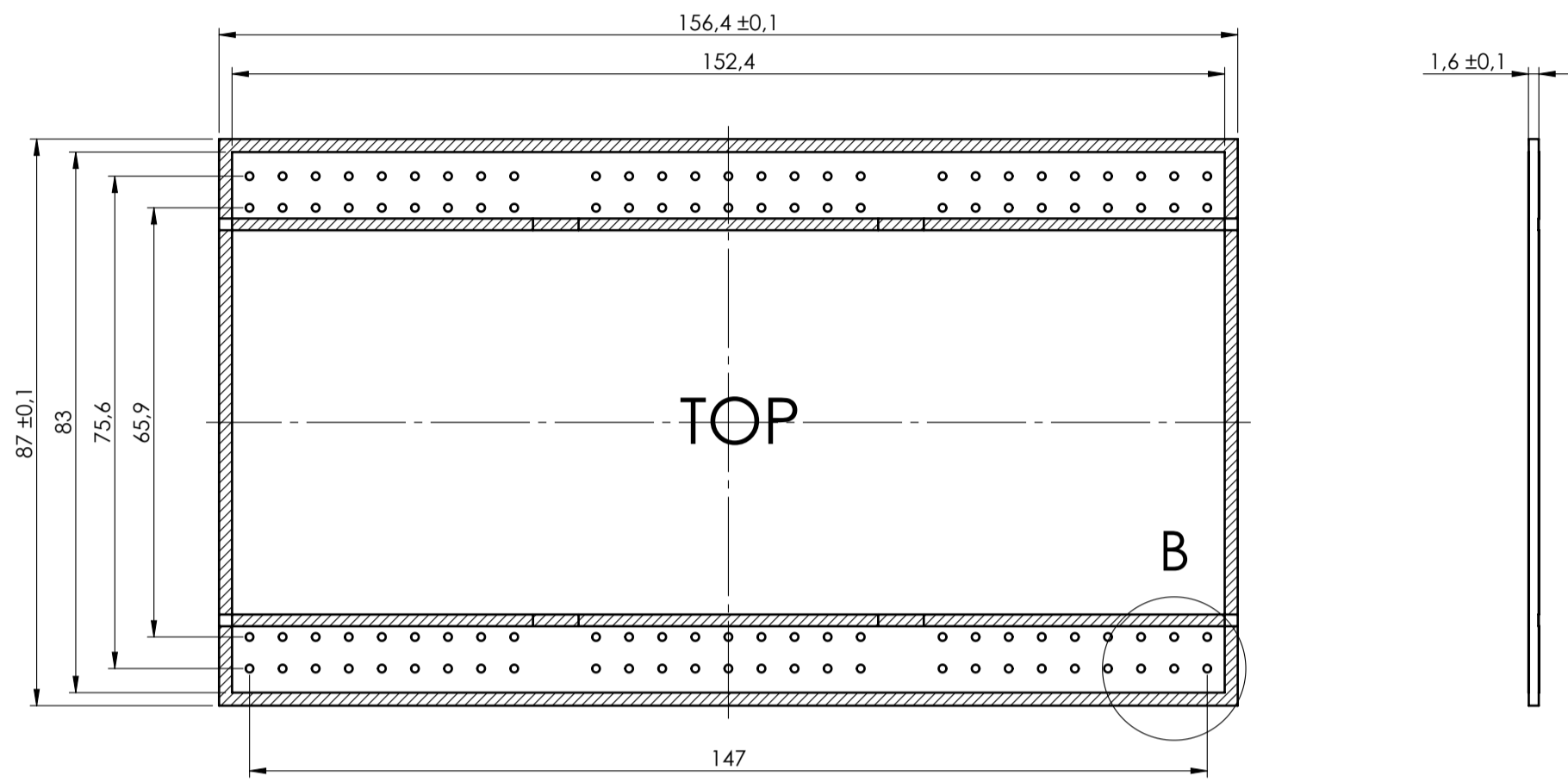
General information:
 - Workpiece zero point for mechanical processing
 - Minimum recommended radius for machining = R1.0 mm
 - Mounting rail like EN 60715: TH 35-7.5 or TH 35-15
 - Recommended PCB outline on www.italtronic.com

RIF.	Q.TY	DRAWING	DESCRIPTION
1	1	2_250_00192	BASE MODULBOX ONE 9M
2	1	2_250_00079	HOOK FOR MODULBOX ONE
3	1	2_250_03815	BODY ENCLOSURE MODULBOX ONE 9MDH68

General Tolerances (RfE EN 22768/1 Medio [H])				Sheet:
from 0.5 to 3	from 3 to 6	from 6 to 30	from 30 to 120	from 120 to 400
± 0.1	± 0.1	± 0.2	± 0.3	± 0.5
Scale:	Drawn:	Checked:	Date:	Material:
1:1	M.S.	R.N.	02/08/2023	
Dimension in mm	Replaces the:	Derived from:	Weight:	Cod. Mold:
	M-06601-00	--	gr	--
Description:				Rev.:
KIT CONTENITORE MODULBOX ONE 9MDH68				00
KIT ENCLOSURE MODULBOX ONE 9MDH68				A1
Drawing by: italtronic				
3_250_00175				
italtronic.com				

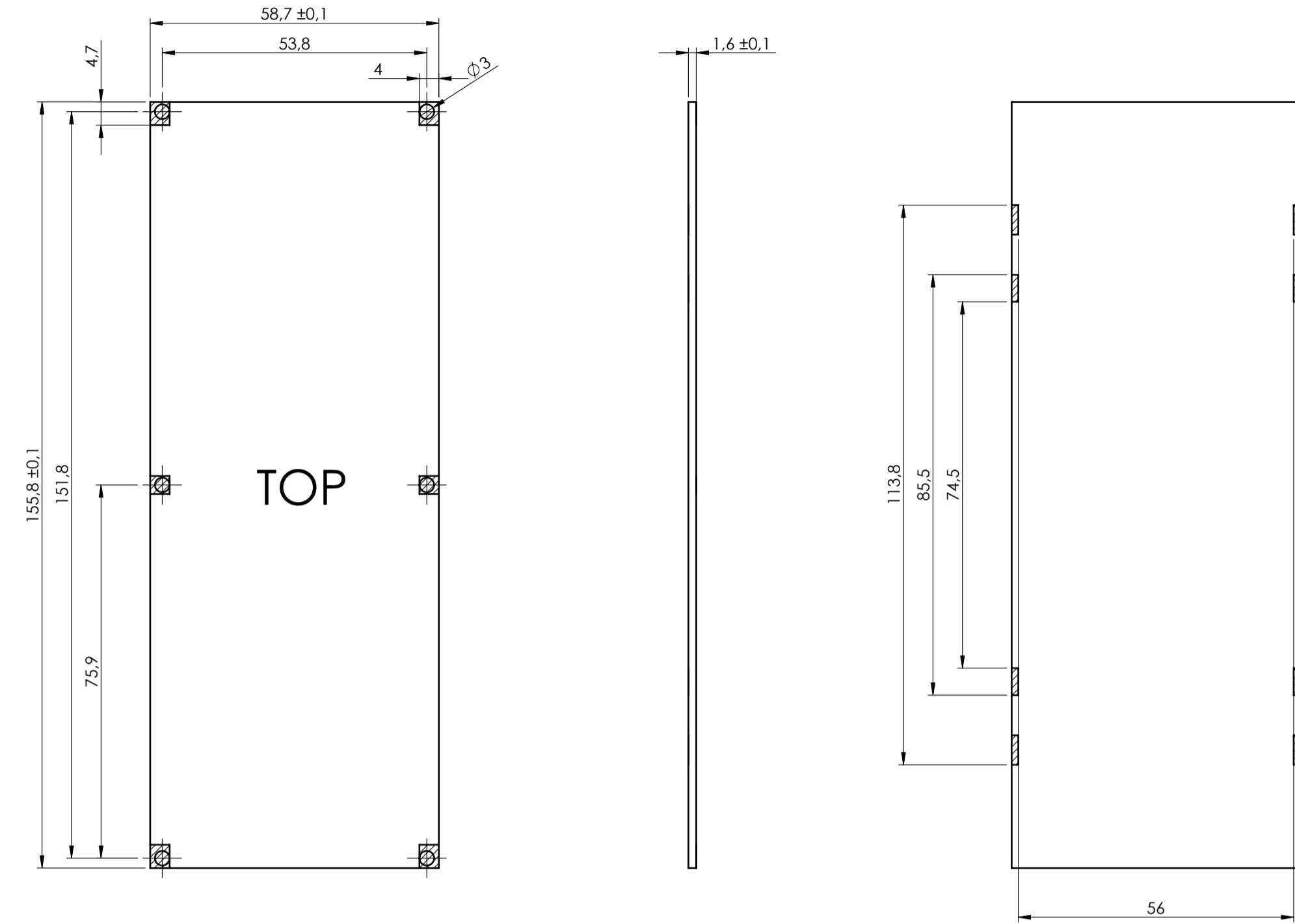
PCB A

Max height of the terminal:
Modulbox ONE: 20 mm

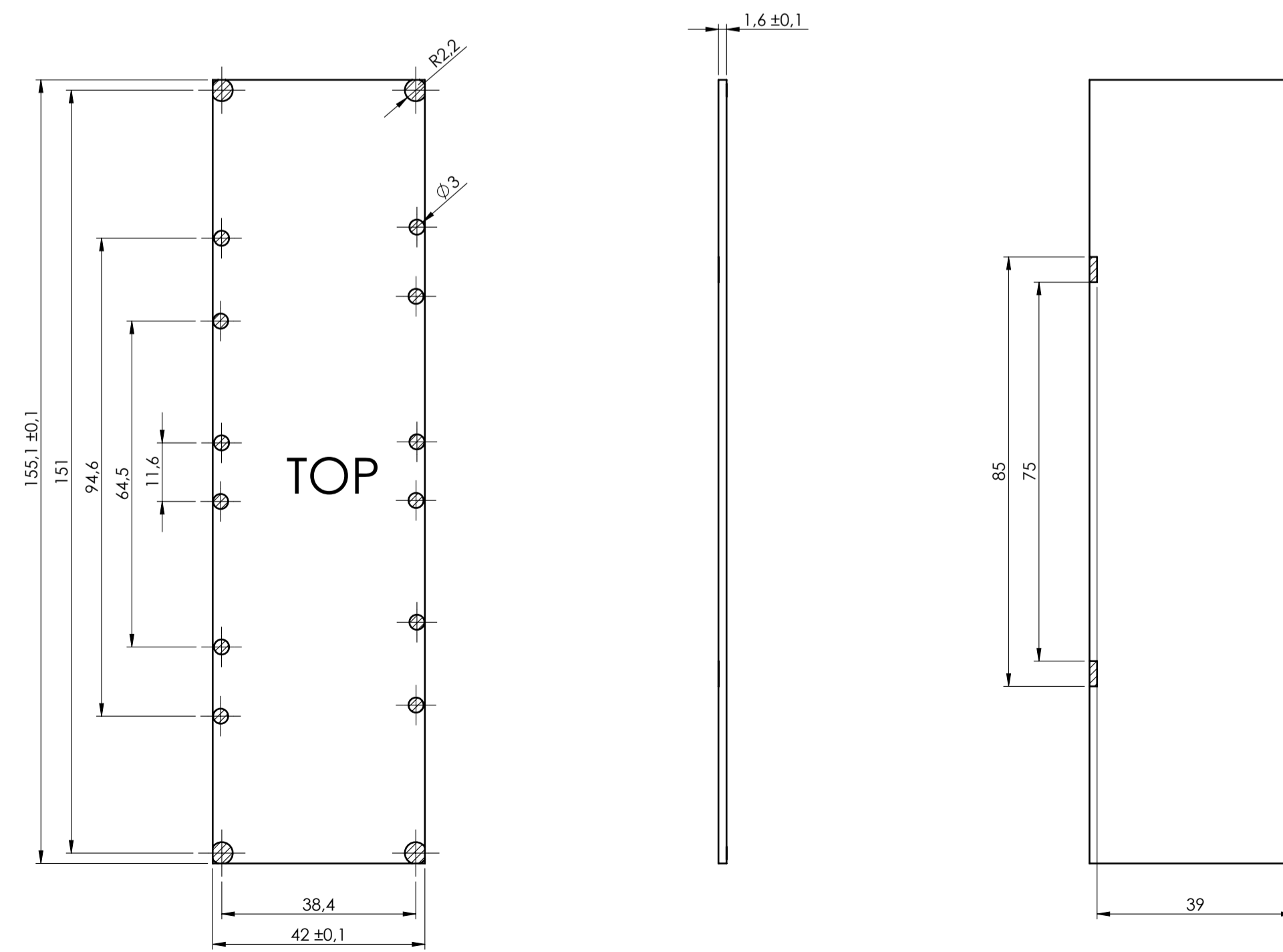


*To use the PLUG-IN terminals in Modulbox ONE use plug-in adapter P05000003E (5/5.08 pitch) and P05000004E (7.5/7.62 pitch)

PCB B



PCB C



General Tolerance IIR EN 22768/1 Media (m)				Sheet:	
from 0.5 to 3	from 3 to 6	from 6 to 30	from 30 to 120	from 120 to 400	PCB
± 0.1	± 0.1	± 0.2	± 0.3	± 0.5	Process:
Scale: 1:1	Drawn: M.S.	Checked: R.N.	Date: 02/08/2023	Material:	Cod. Mold:
Dimension in mm	---	Derived from:	Weight: gr	---	---
Description:				Kit CONTENITORE MODULBOX ONE 9MDH68	
enclosures for electronics				KIT ENCLOSURE MODULBOX ONE 9MDH68	
Drawing nr. 3_250_00175				Rev.: 00 A1	

NO COMPONENTS AREA