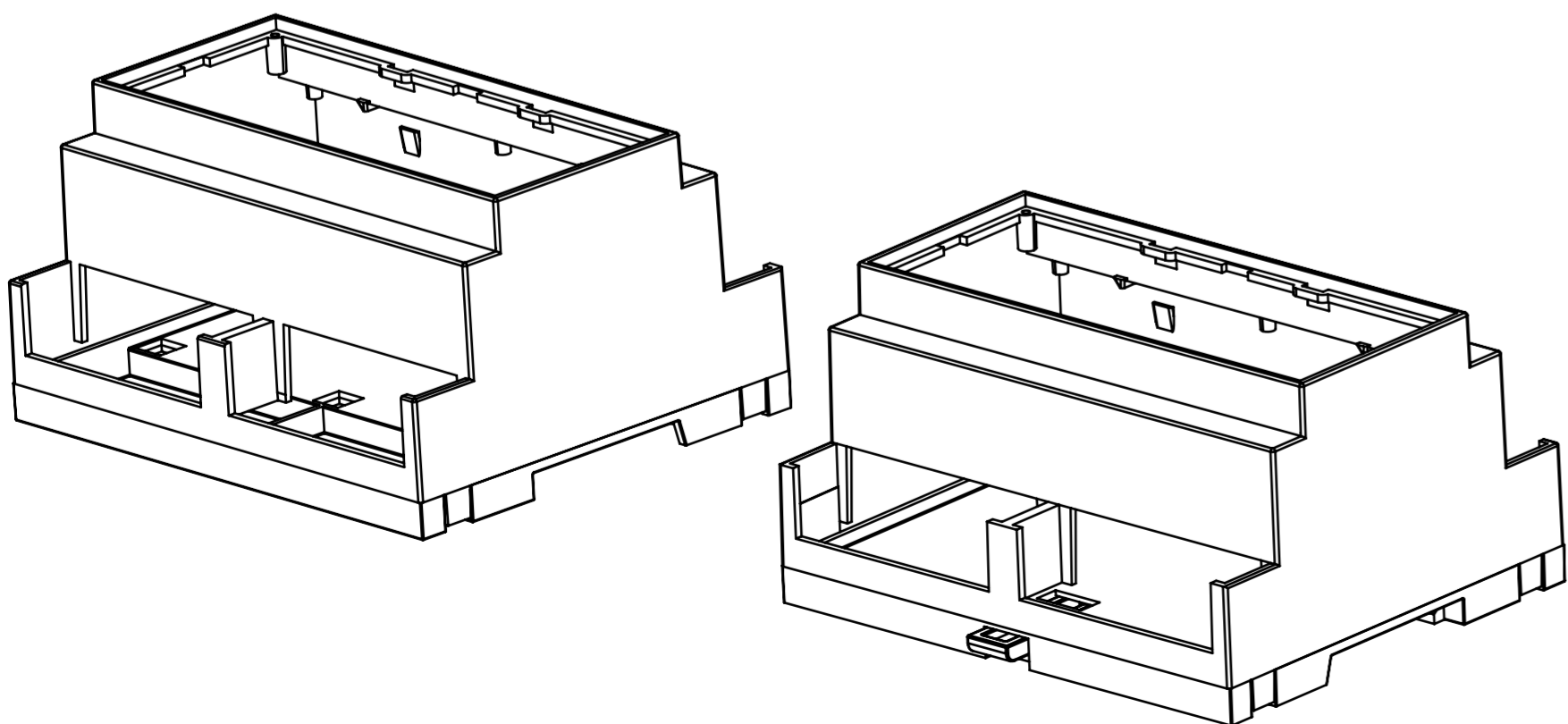
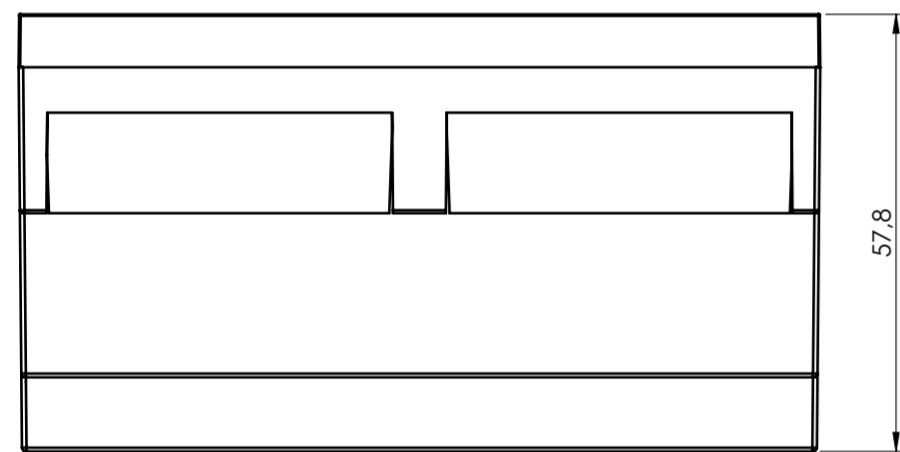
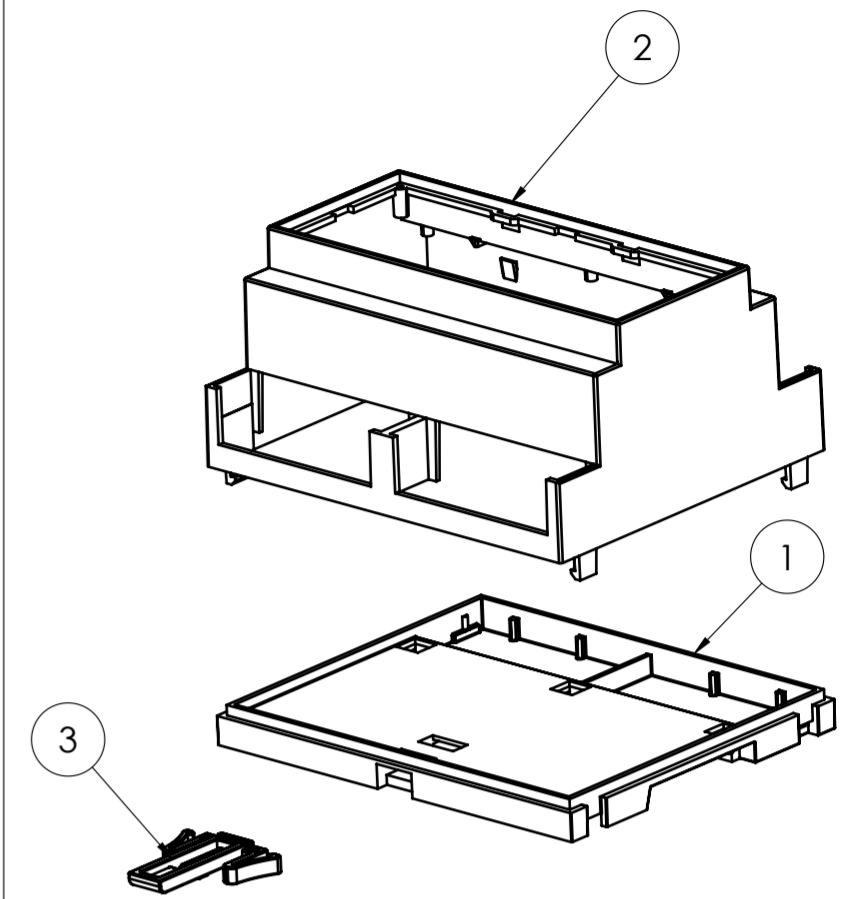
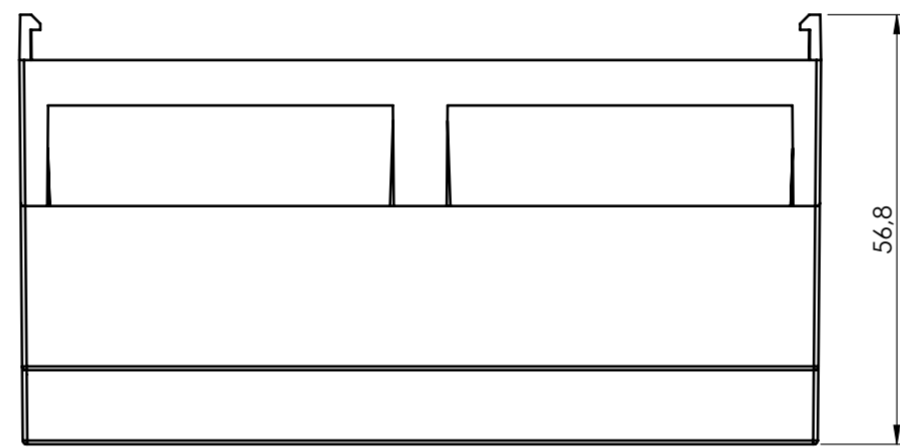
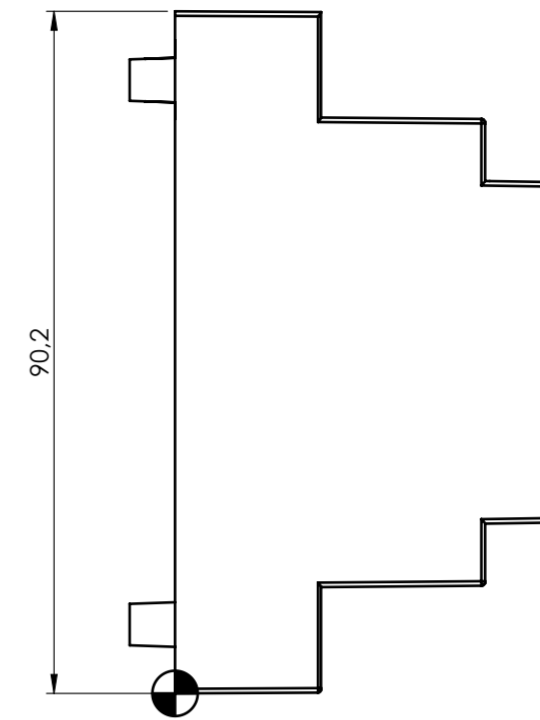
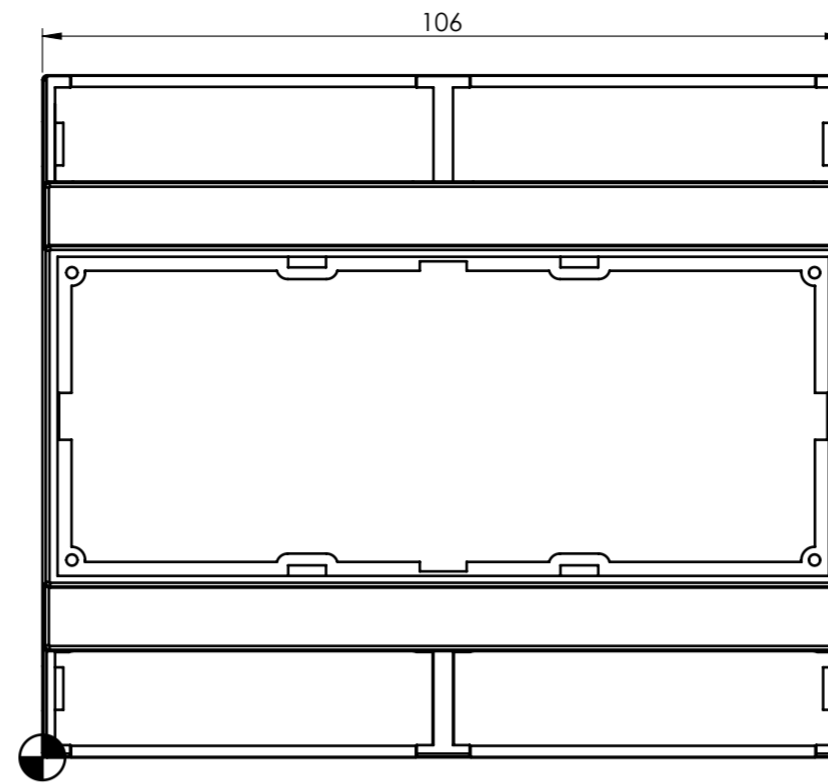


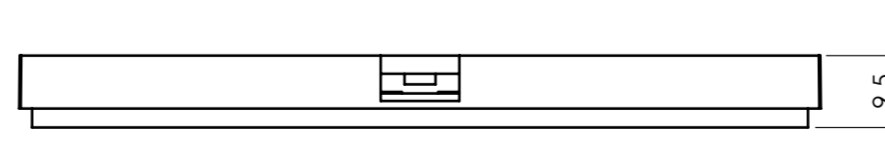
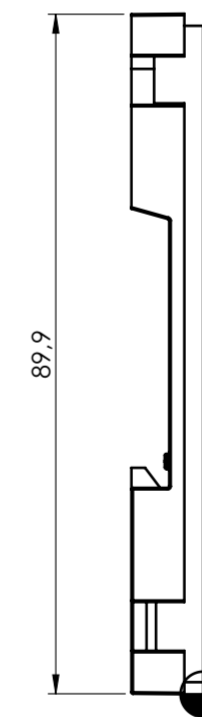
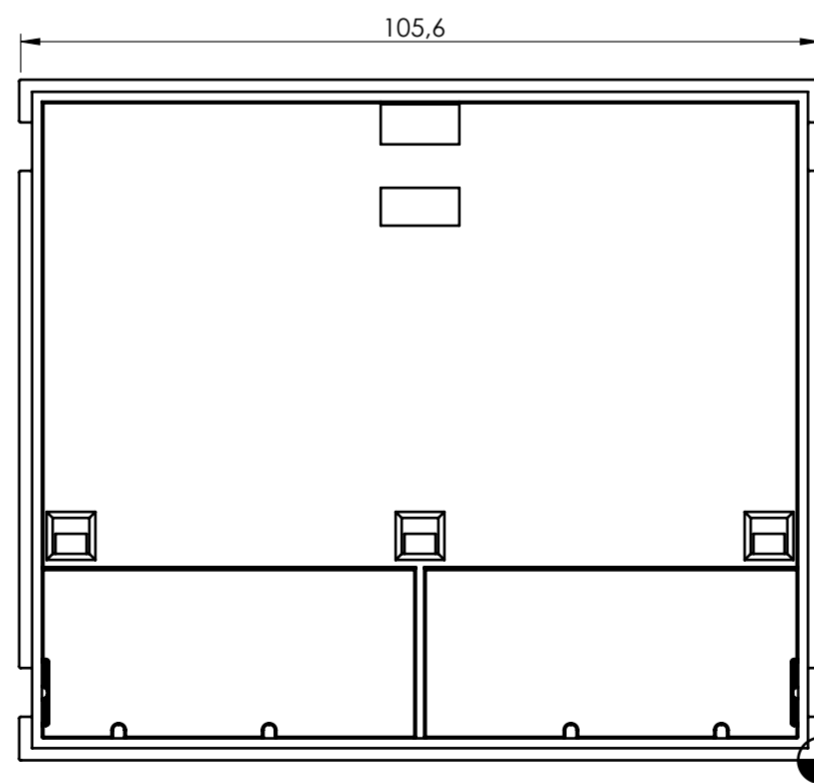
SECTION A-A



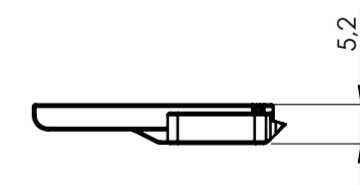
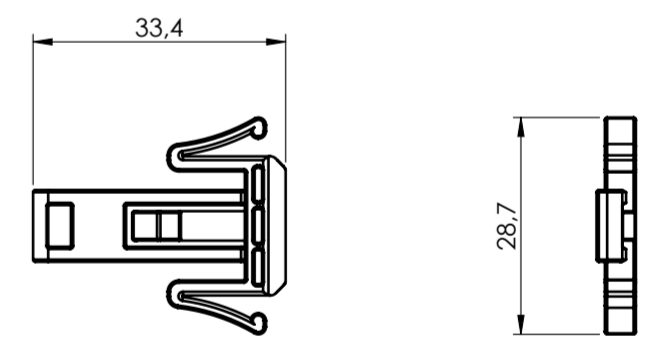
BODY ENCLOSURE



BASE



HOOK



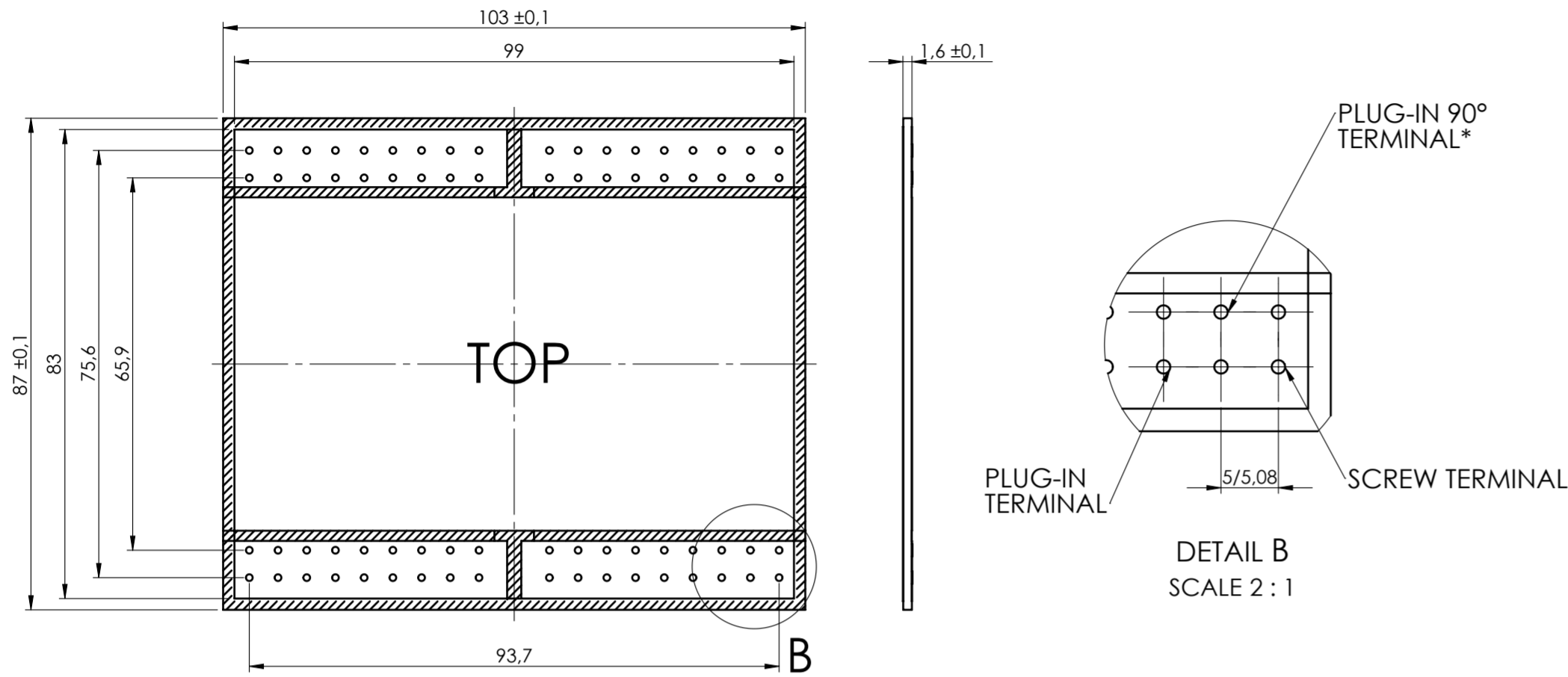
- General information:
- Workpiece zero point for mechanical processing
 - Minimum recommended radius for machining = R1.0 mm
 - Mounting rail like EN 60715: TH 35-7.5 or TH 35-15
 - Recommended PCB outline on www.italtronic.com

RIF.	Q.TY	DRAWING	DESCRIPTION
1	1	2_250_00147	BASE MODULBOX ONE 6M
2	1	2_250_03629	BODY ENCLOSURE MODULBOX ONE 6MDH53
3	1	2_250_00079	HOOK FOR MODULBOX ONE

General Tolerance UNI EN 22768/1 Media (m)						Sheet:
from 0.5 to 3	from 3 to 6	from 6 to 30	from 30 to 120	from 120 to 400		1
± 0.1	± 0.1	± 0.2	± 0.3	± 0.5		
Scale:	IM:	Drawn:	Checked:	Date:	Material:	Process:
1:1	--	M.S.	R.N.	25/07/2023		
	This present drawing cannot be reproduced or communicated to 3rd parties, even partially, without the authorization of ITALTRONIC. All dimensions reserves to protect its copyrights according to the law.		Replaces the:	Derived from:	Weight:	Cod. Mold:
Dimension in mm			M-04825-01	--	gr	--
italtronic enclosures for electronics italtronic.com						Rev.:
Description: KIT CONTENITORE MODULBOX ONE 6MDH53 KIT ENCLOSURE MODULBOX ONE 6MDH53 Drawing nr.: 3_250_00162						- A2

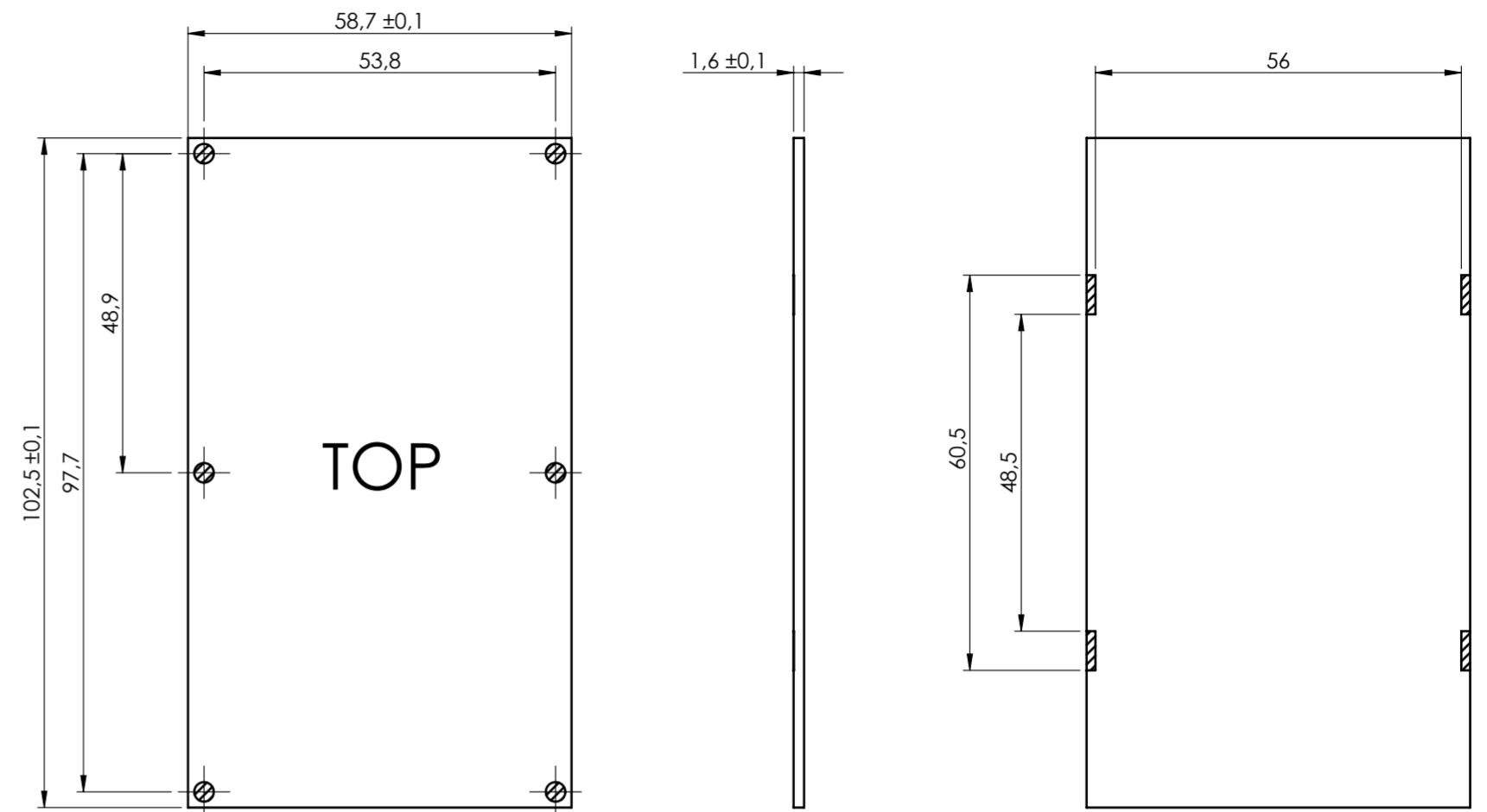
Max height of the terminal:
Modulbox ONE: 20 mm

PCB A

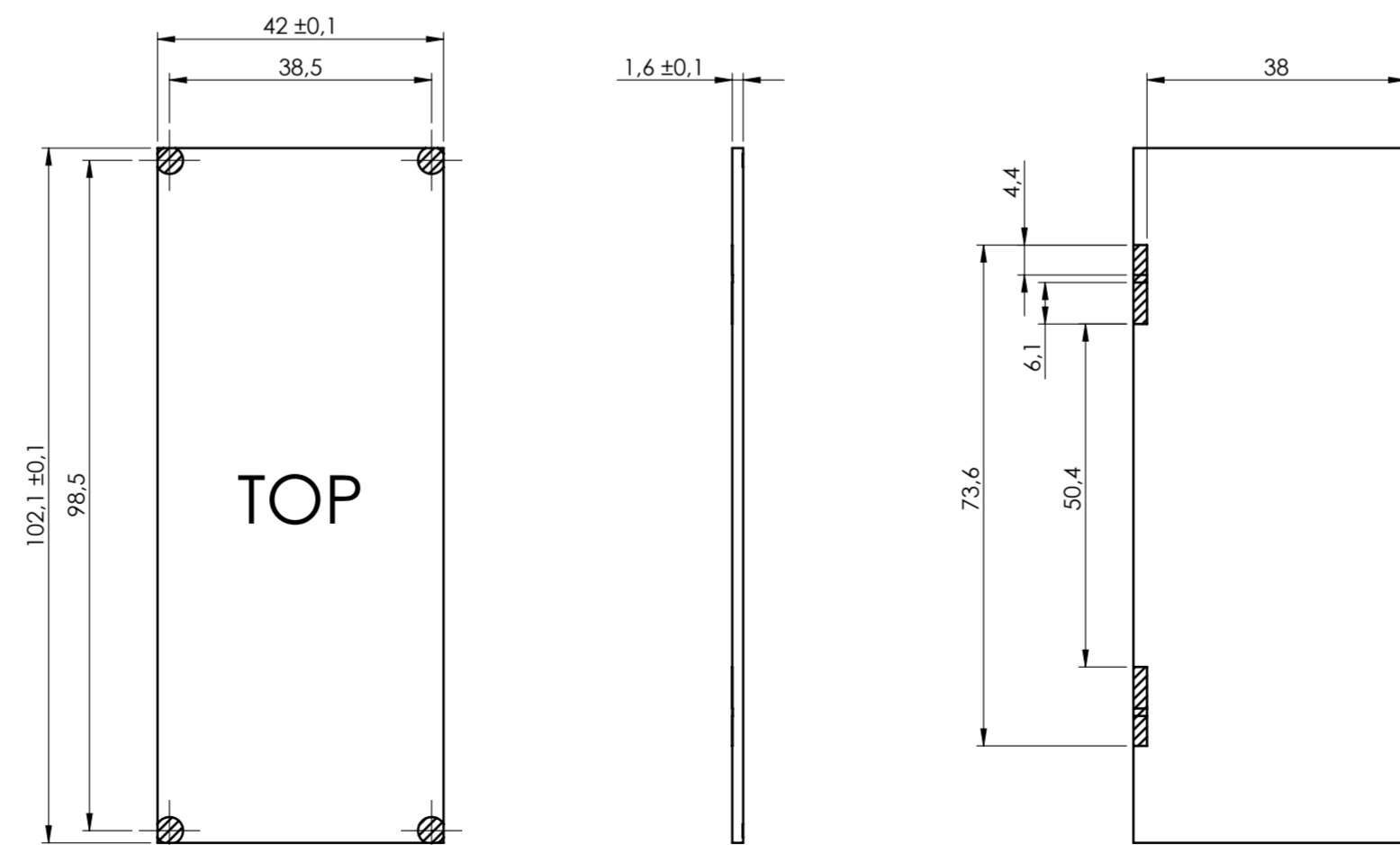


*To use the PLUG-IN terminals in Modulbox ONE use plug-in adapter P05000003E (5/5.08 pitch) and P05000004E (7.5/7.62 pitch)

PCB B



PCB C



General Tolerance UNI EN 22768/1 Media (m)						Sheet:	
from 0.5 to 3 ± 0.1	from 3 to 6 ± 0.1	from 6 to 30 ± 0.2	from 30 to 120 ± 0.3	from 120 to 400 ± 0.5		PCB	
Scale:	IM:	Drawn:	Checked:	Date:	Material:	Process:	
1:1	--	M.S.	R.N.	25/07/2023			
Dimension in mm		Replaces the:		Derived from:	Weight:	Cod. Mold:	
		M-04825-01		--	gr	--	
 enclosures for electronics italtronic.com		Description: KIT CONTENITORE MODULBOX ONE 6MDH53 KIT ENCLOSURE MODULBOX ONE 6MDH53 Drawing nr.: 3_250_00162				Rev.:	
						-	A2

NO COMPONENTS AREA