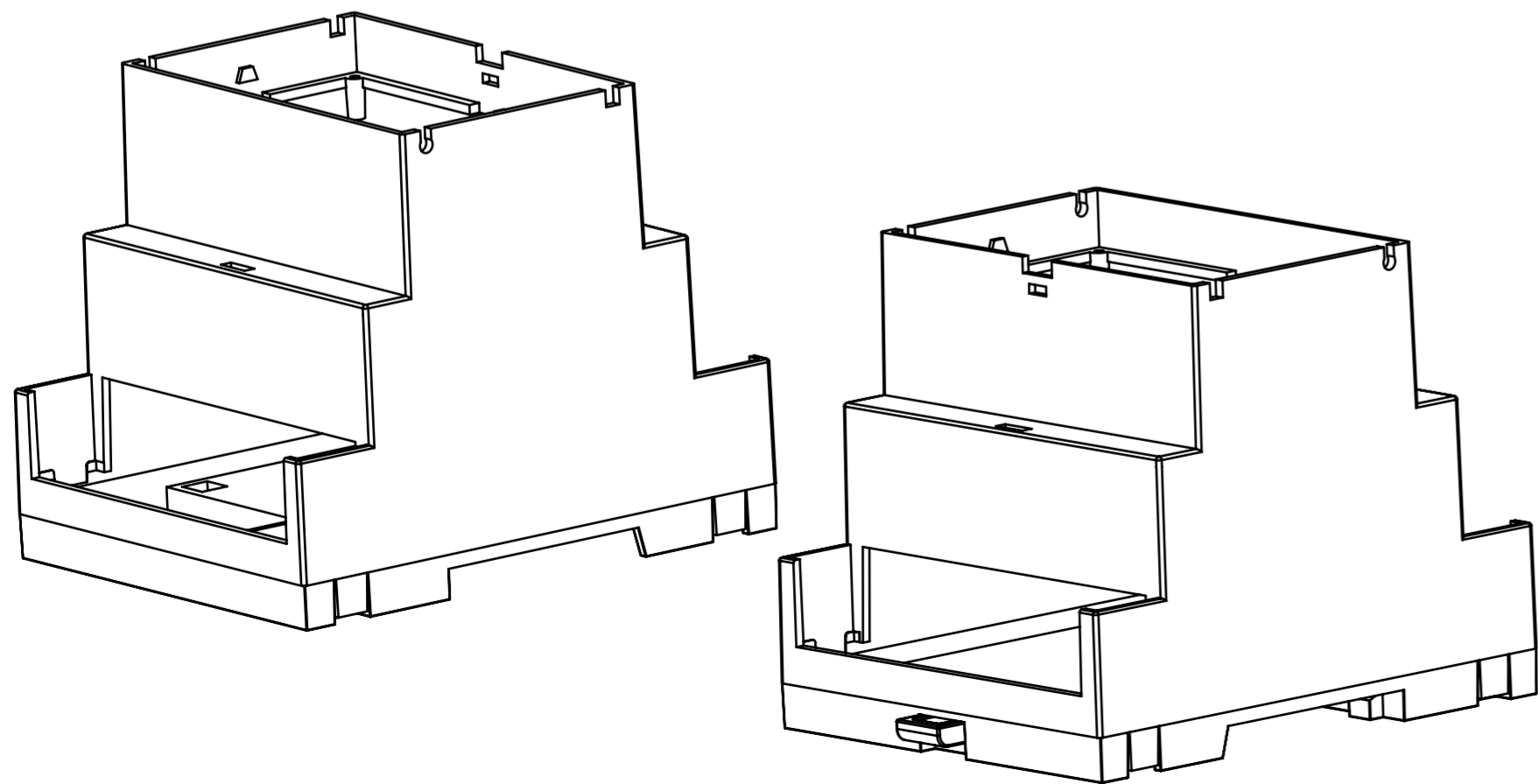
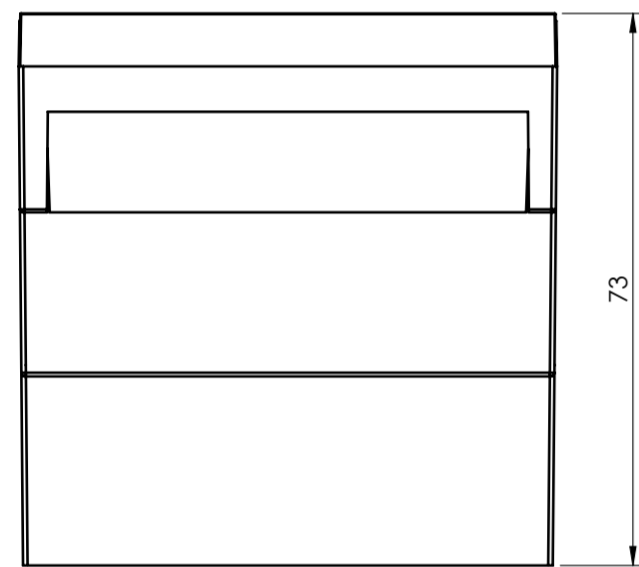
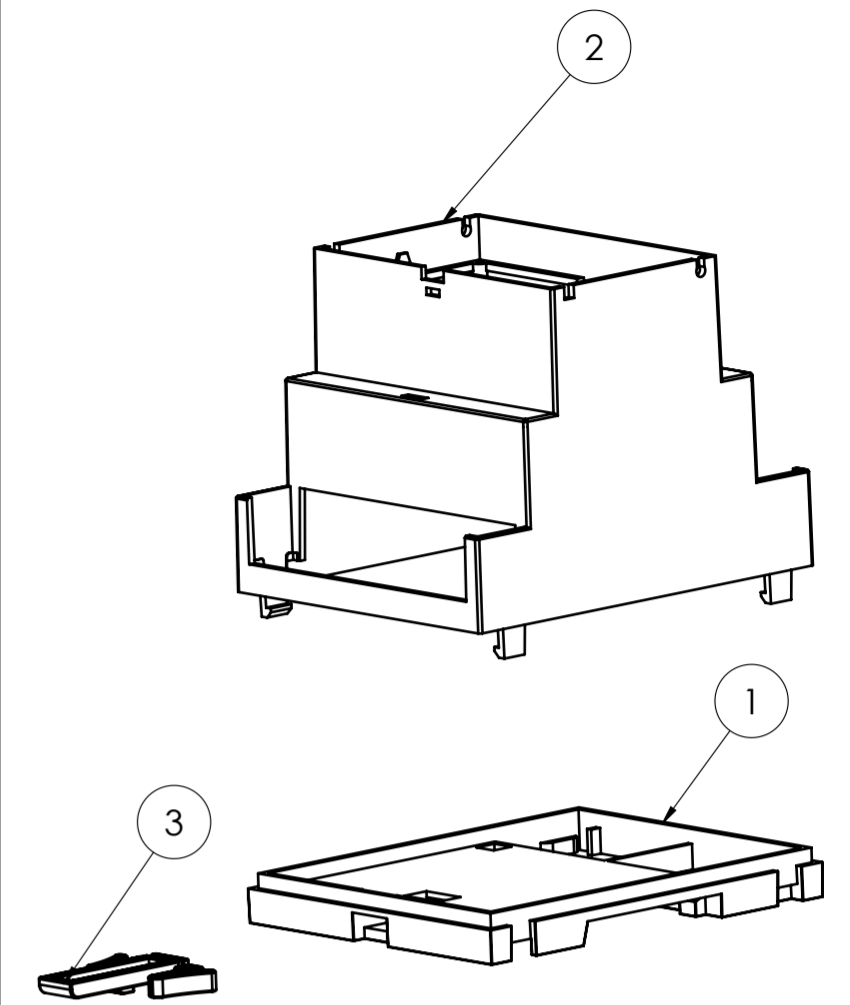
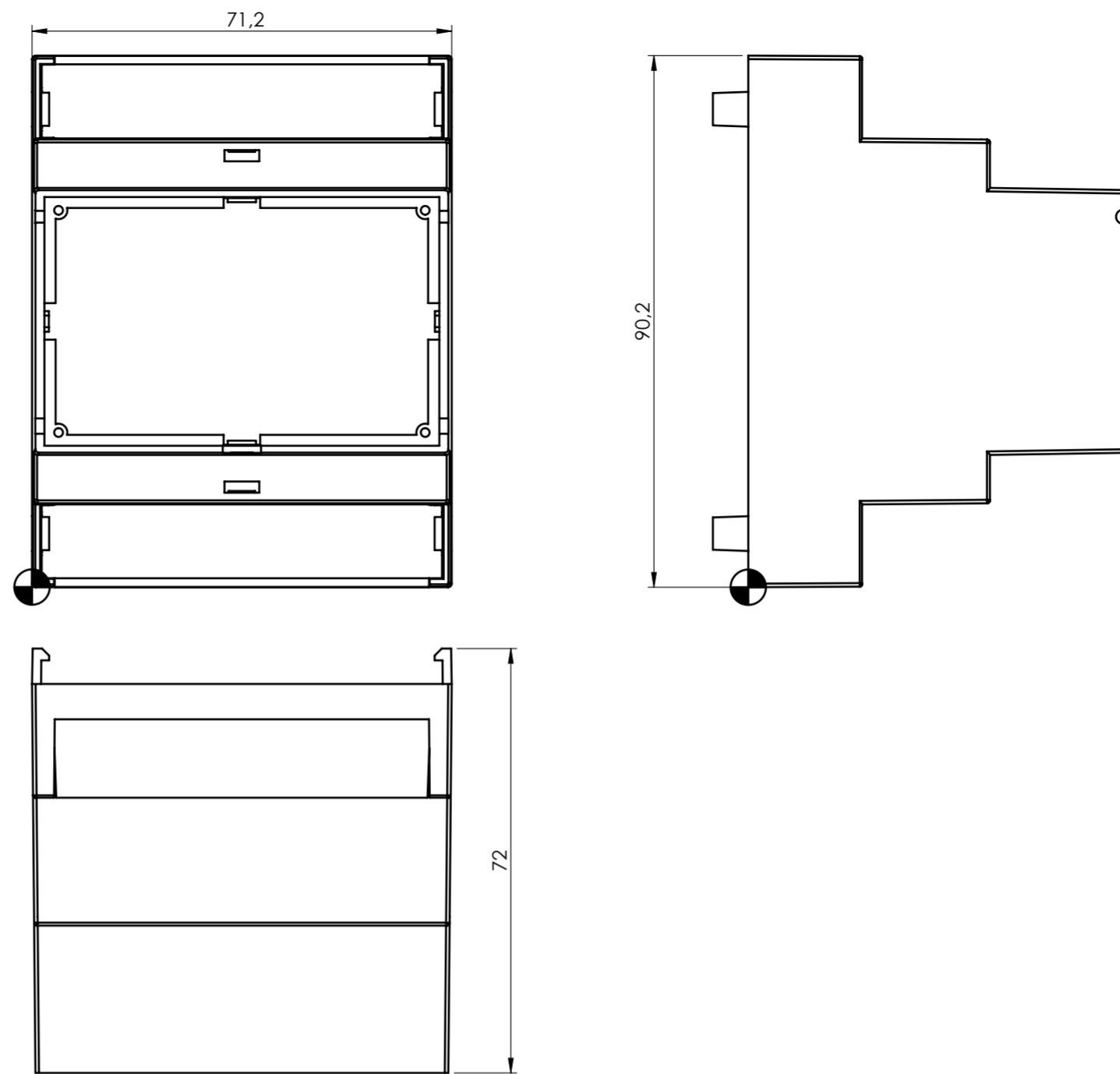


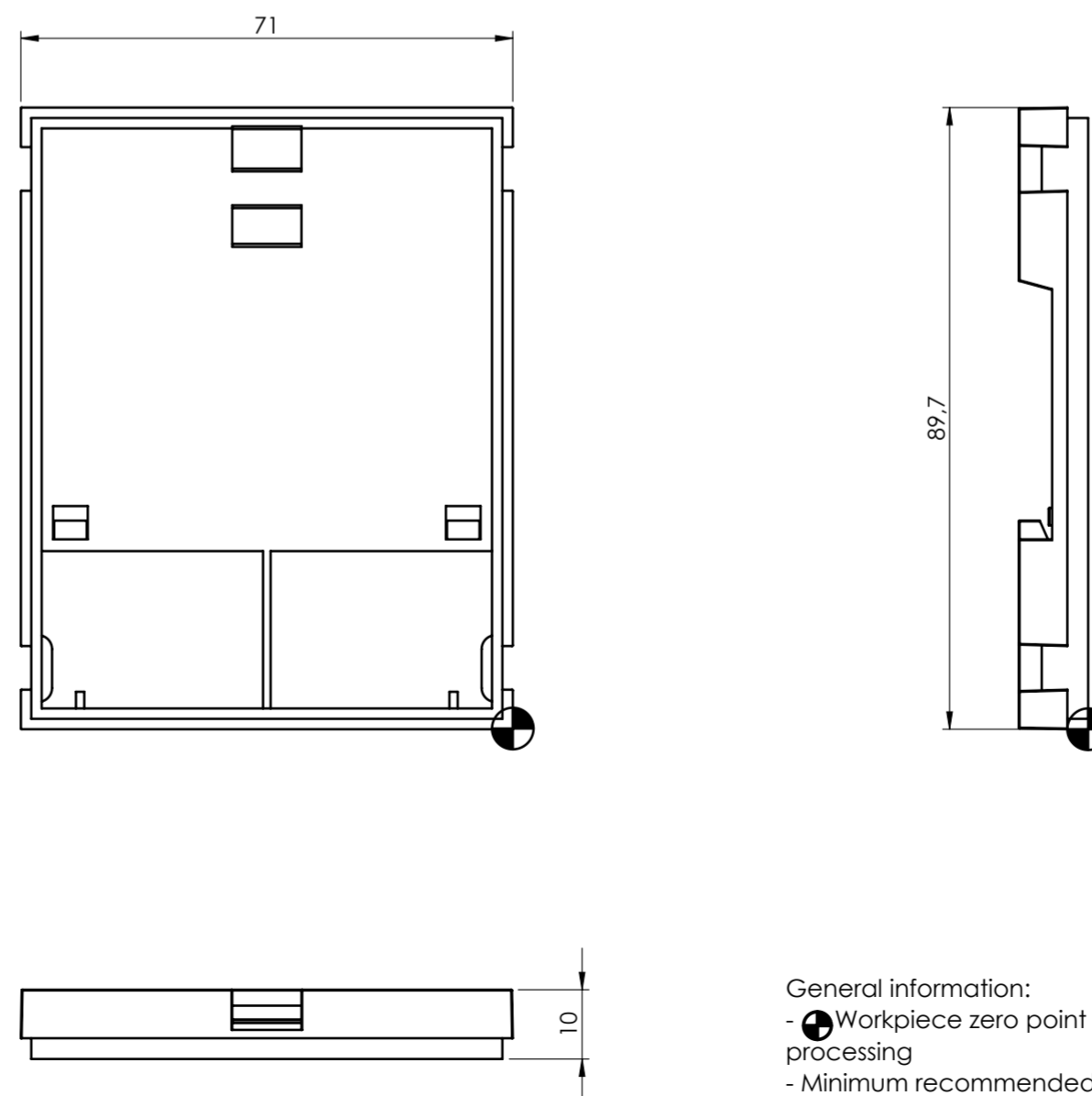
SECTION A-A



BODY ENCLOSURE

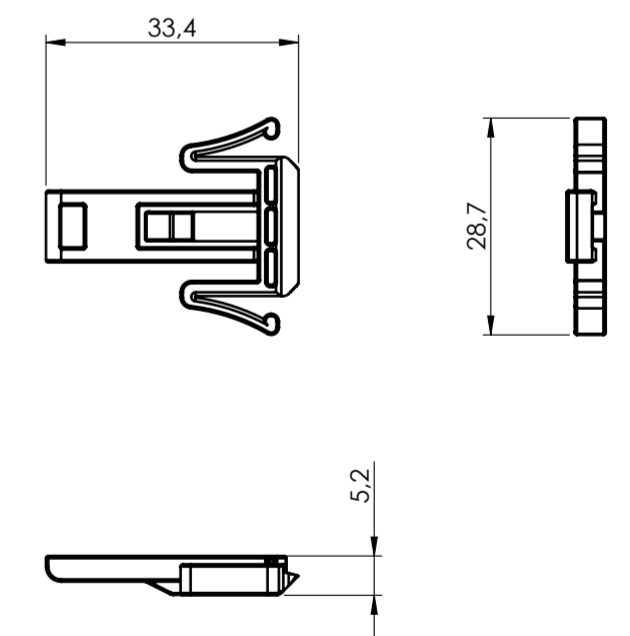


BASE



General information:  
 - Workpiece zero point for mechanical processing  
 - Minimum recommended radius for machining = R1.0 mm  
 - Mounting rail like EN 60715: TH 35-7.5 or TH 35-15  
 - Recommended PCB outline on [www.italtronic.com](http://www.italtronic.com)

HOOK



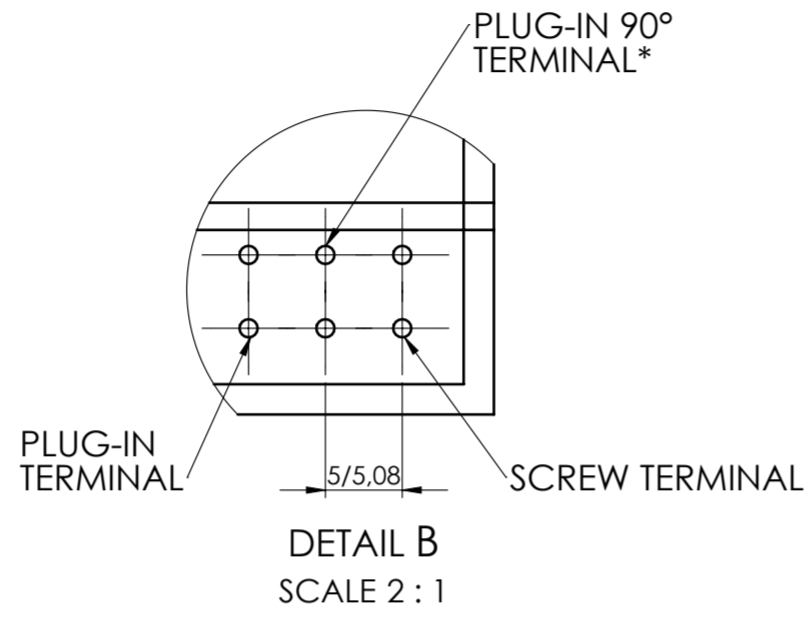
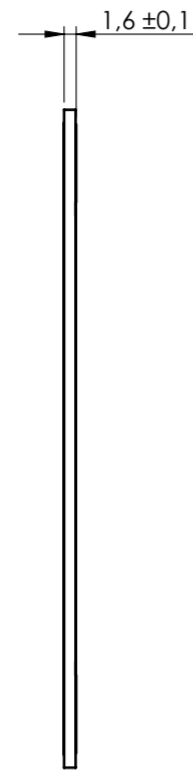
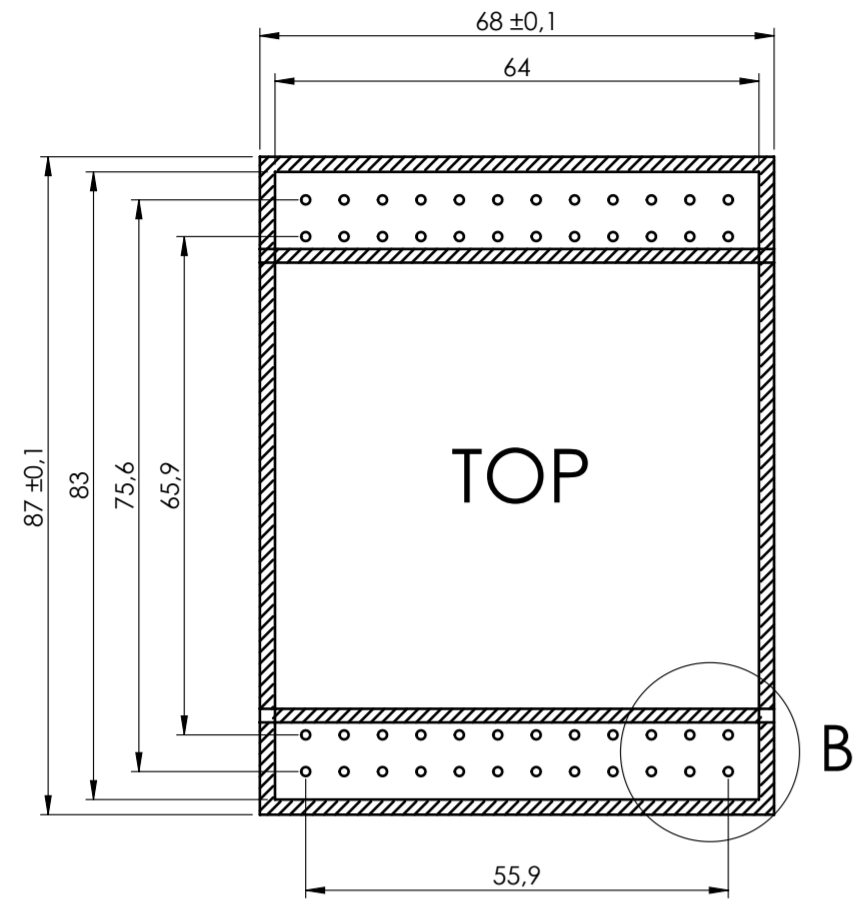
RIF.	Q.TY	DRAWING	DESCRIPTION
1	1	2_250_00181	BASE MODULBOX ONE 4M
2	1	2_250_00182	BODY ENCLOSURE MODULBOX 4MH68
3	1	2_250_00079	HOOK FOR MODULBOX ONE

General Tolerance UNI EN 22768/1 Media (m)					Sheet:
from 0.5 to 3 ± 0.1	from 3 to 6 ± 0.2	from 6 to 30 ± 0.3	from 30 to 120 ± 0.5	from 120 to 400 ± 0.5	1
Scale:	Drawn:	Checked:	Date:	Material:	Process:
1:1	M.S.	R.N.	21/07/2023		
Dimension in mm	Derived from:		Weight:	Cod. Mold:	
	---		gr	--	

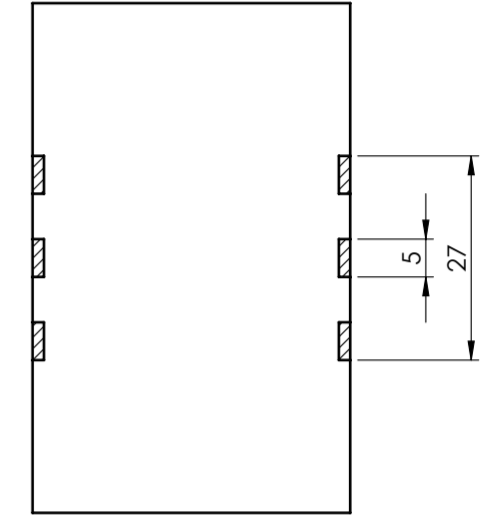
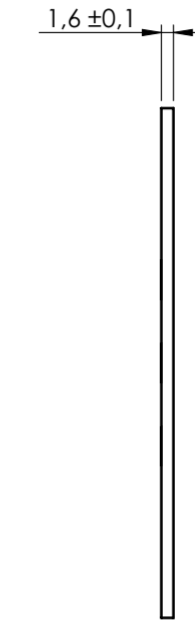
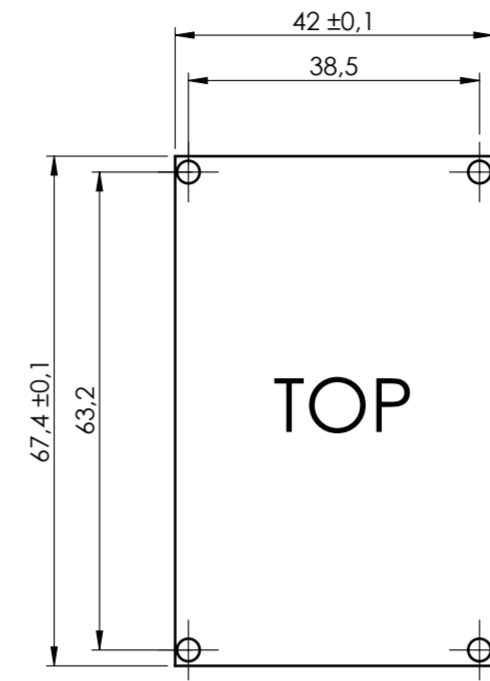
 enclosures for electronics <a href="http://italtronic.com">italtronic.com</a>	Description:	Rev.:
	KIT CONTENITORE MODULBOX ONE 4MH68 KIT ENCLOSURE MODULBOX ONE 4MH68 Drawing nr.: <b>3_250_00154</b>	

Max height of the terminal:  
Modulbox ONE: 20 mm

### PCB A

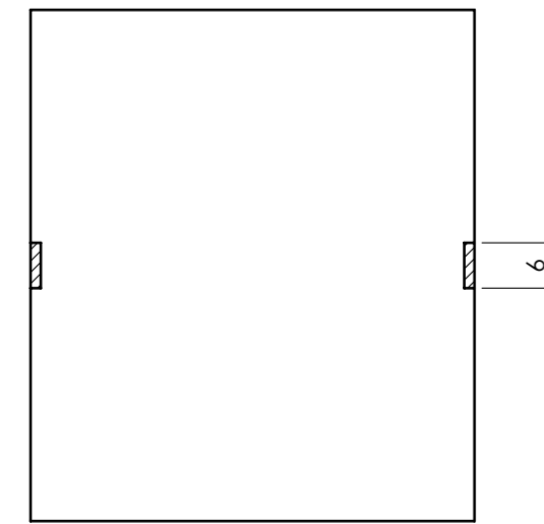
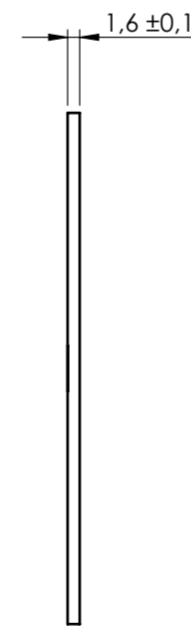
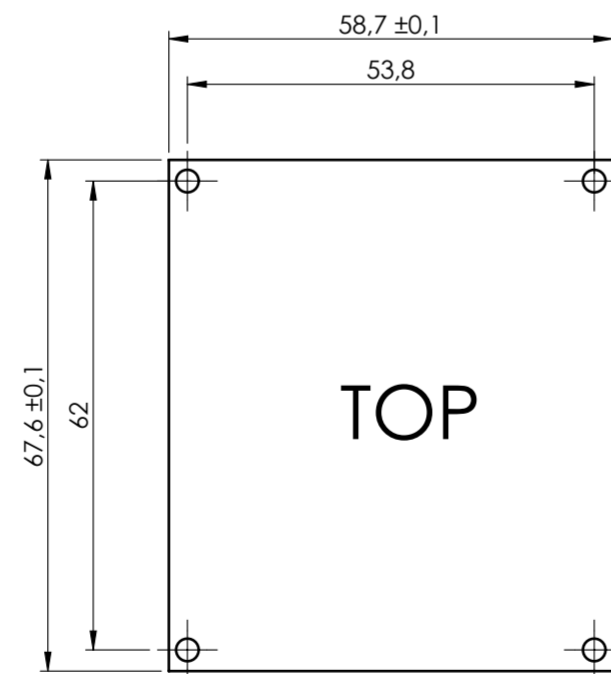


### PCB C



*\*To use the PLUG-IN terminals in Modulbox ONE use plug-in adapter P05000003E (5/5.08 pitch) and P05000004E (7.5/7.62 pitch)*

### PCB B



General Tolerance UNI EN 22768/1 Media (m)					Sheet:
from 0.5 to 3 ± 0.1	from 3 to 6 ± 0.1	from 6 to 30 ± 0.2	from 30 to 120 ± 0.3	from 120 to 400 ± 0.5	PCB
Scale:	Drawn:	Checked:	Date:	Material:	Process:
1:1	M.S.	R.N.	21/07/2023		
Dimension in mm	Derived from:		Weight:	Cod. Mold:	
	---		gr	---	
 <b>italtronic</b> enclosures for electronics italtronic.com			Description: KIT CONTENITORE MODULBOX ONE 4MH68 KIT ENCLOSURE MODULBOX ONE 4MH68 Drawing nr.: <b>3_250_00154</b>		
				Rev.:	A2
				00	

NO COMPONENTS AREA